



# Aquatherm Technical Bulletin

201402B-AQTTB

## **New Aquatherm Flow Switch Well**

To aid in mounting flow switches and other sensors onto Aquatherm pipe, Aquatherm has developed a new fusion outlet fitting to accommodate the larger paddle and/or sensor dimensions. The new fusion outlet configuration provides for a larger internal diameter, and shorter overall length. This allows flow switches with wider paddles or sensors with shorter elements, to be installed using a standard fusion outlet x threaded connection.

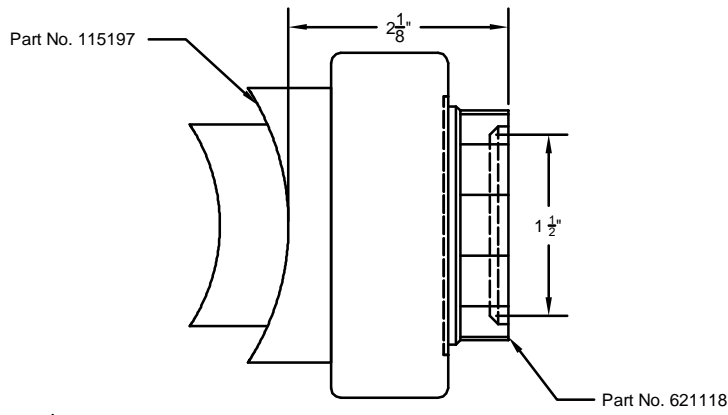
The new configuration consists of a standard fusion outlet connection, and standard threaded connection, in the following combinations.

| <b>Main Pipe Size</b> | <b>Fusion Outlet Size/Head</b> | <b>Threaded Connection</b> | <b>Part Number</b> |
|-----------------------|--------------------------------|----------------------------|--------------------|
| 2 – 2-1/2 inch        | 2-1/2 x 1-1/4 (75 x 40mm)      | 1-1/4 in FPT               | 0115175+0621116    |
| 3 – 4 inch            | 4 x 1-1/2 (125 x 50mm)         | 1-1/2 in FPT               | 0115197+0621118    |
| 6 inch and larger     | 6 x 2 (160 x 63mm)             | 2 in FPT                   | 0115216+0621120    |

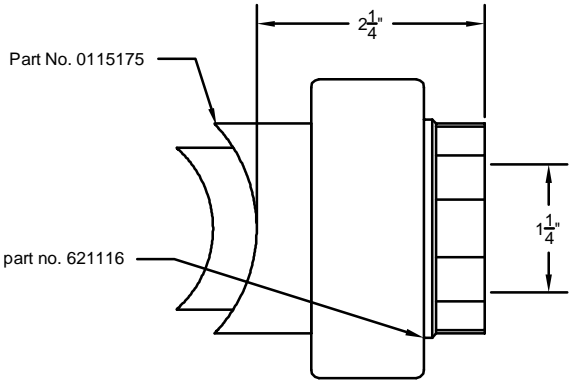
When using this new part one needs to verify that the paddle has a minimum length of 3-1/2”.

At present, these will be special-order items fabricated at the Aquatherm headquarters in Lindon, UT on an as ordered basis.

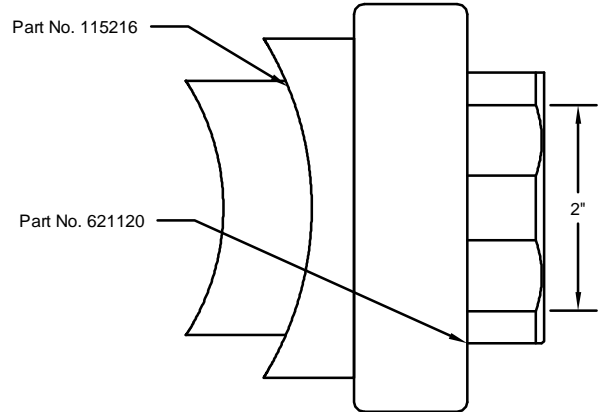
The accompanying sketch will illustrate the concept of this new product.



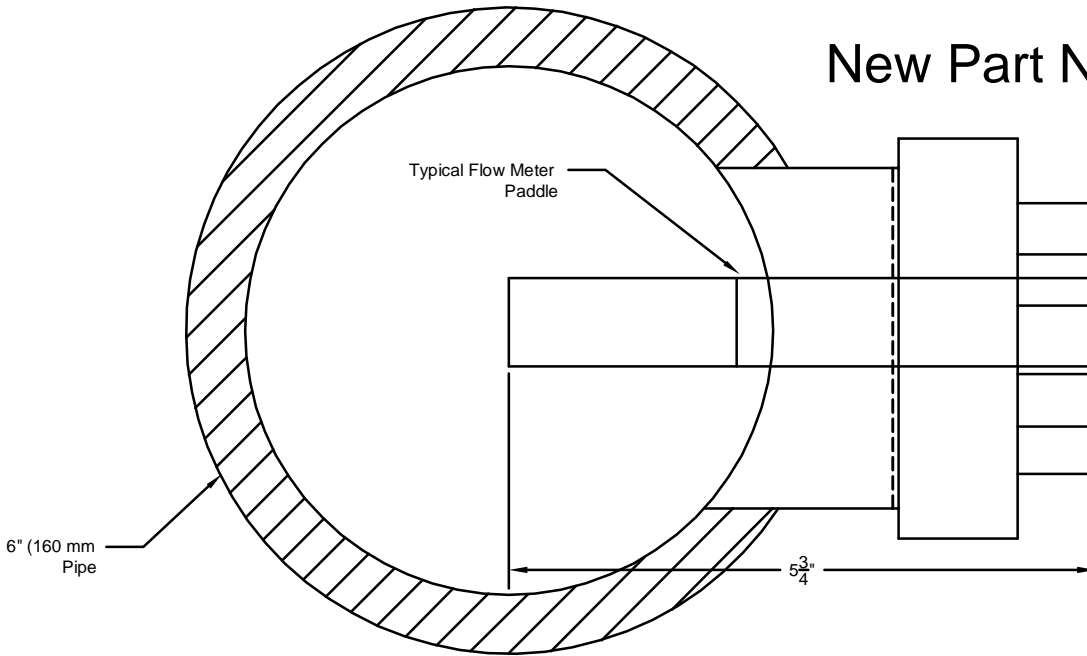
New Part No. 0115197+0621118



New Part No. 0115175+0621116



New Part No. 0115216+062



New Part No. 0115216+0621120  
Typical Installation

**aquatherm**

500 S 500 W

Lindon, UT 84042

Phone: (801)805-6657

Drawing Name:

Flow Meter Well

New Part Numbers as Noted

No Scale

Date: 2/27/2014

By: cdh