

Aquatherm Technical Bulletin

201407A.1 - AQTTB

4" Flange Adapters

Date Issued: 9 July 2014

In the past Aquatherm offered two different flange adapters for 4" inch pipe. The purpose of this technical bulletin is to help distinguish between the two products in order to help eliminate confusion and ease concerns when ordering. Aquatherm has since discontinued offering the No. 0115527 and it does not appear in the new 2014 catalog. However, there are still inquiries, orders and subsequent problems that have arisen because the No. 0115527 was mistakenly ordered.



Figure 1: Flange Adapter No. 0115527(Discontinued) (L) and No. 0115526 (R).

The flange adapter that we will focus on first is product number 0115526.

This flange adapter has an elongated neck to allow fusing a coupling socket type connector (part number 0115526) on the end of it to continue the pipe line. As can be seen in the photo the 4" flange ring (part number 3315726) fits nicely over the adapter and up to the flange adapter neck. This allows a connection to a ball valve, a butterfly valve or another flange.

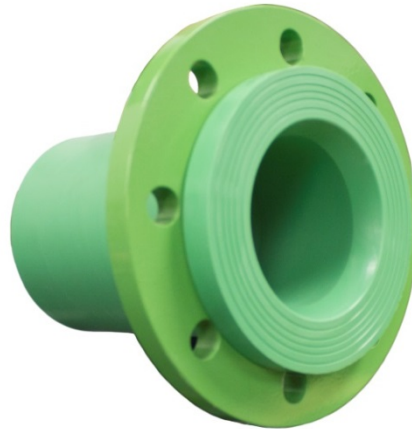


Figure 2: 4" Flange Adapter No. 0115526 with 4" Flange Ring No. 3315726.

Also notice that the flange ring has eight holes. This allows for the connection to another flange ring of similar configuration or to a ball or butterfly valve. If the opposite valve or ring to which you are connecting only has four holes, the eight hole ring will still work and function well. Simply use the four holes that you need. All of Aquatherm flange rings are designed to fit with ASME 150-psi flange bolt patterns.

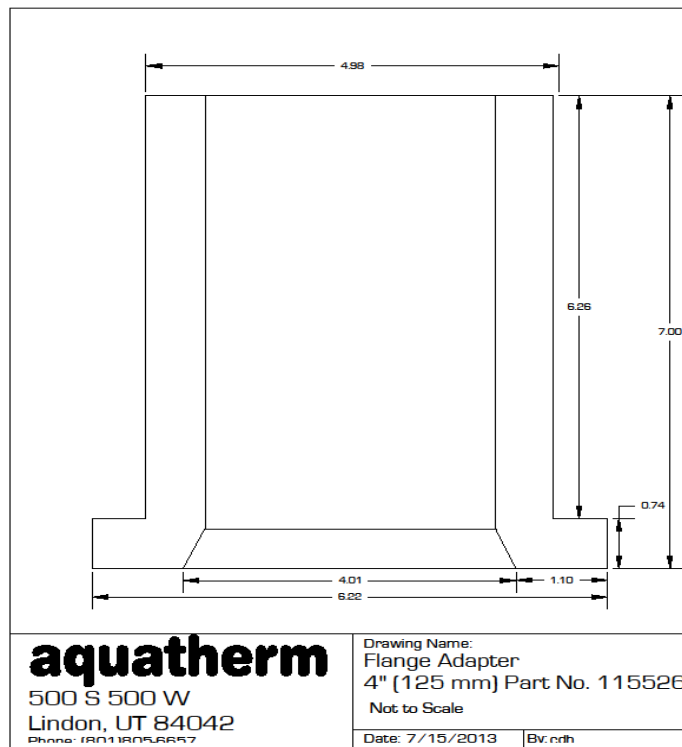


Figure 3: Drawing and Dimensions of 4" Flange Adapter

The second 4" and discontinued flange adaptor is product number 0115527.

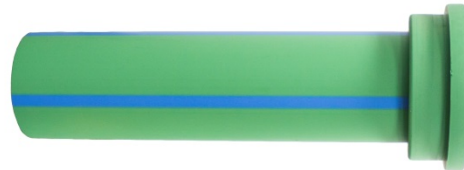


Figure 4: Flange Adapter No. 0115527 Fused on 4" (125mm) pipe

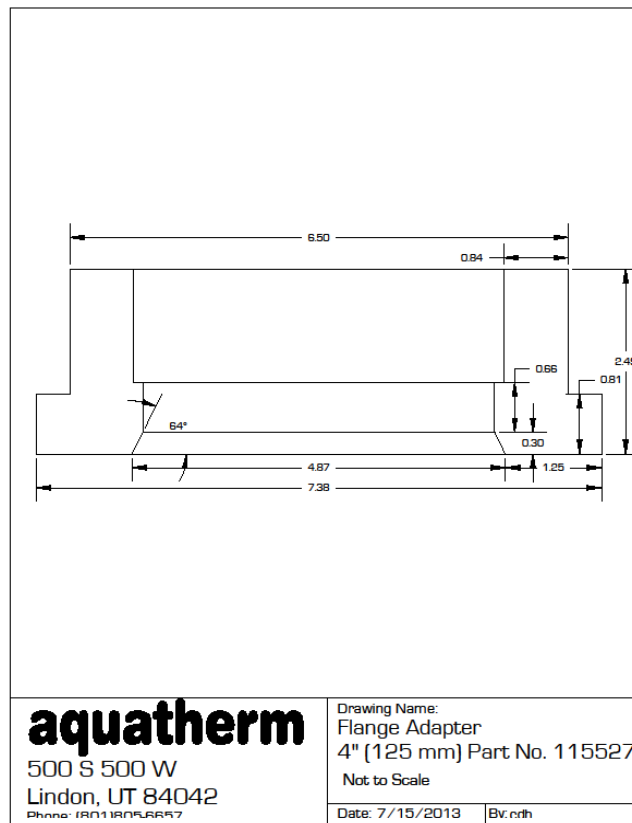


Figure 5: Flange adapter No. 0011527 drawing and dimensions.

This flange adapter is a coupling, socket-type connector designed to fuse directly over a 4" pipe. It is designed to connect to an ANSI 5" pipe and flange. It was used to connect to the old-style Aquatherm ball valve that was discontinued a couple of years ago.

The 4" flange ring (part number 3315726) does not fit with this flange adapter as can be seen in the photos below.

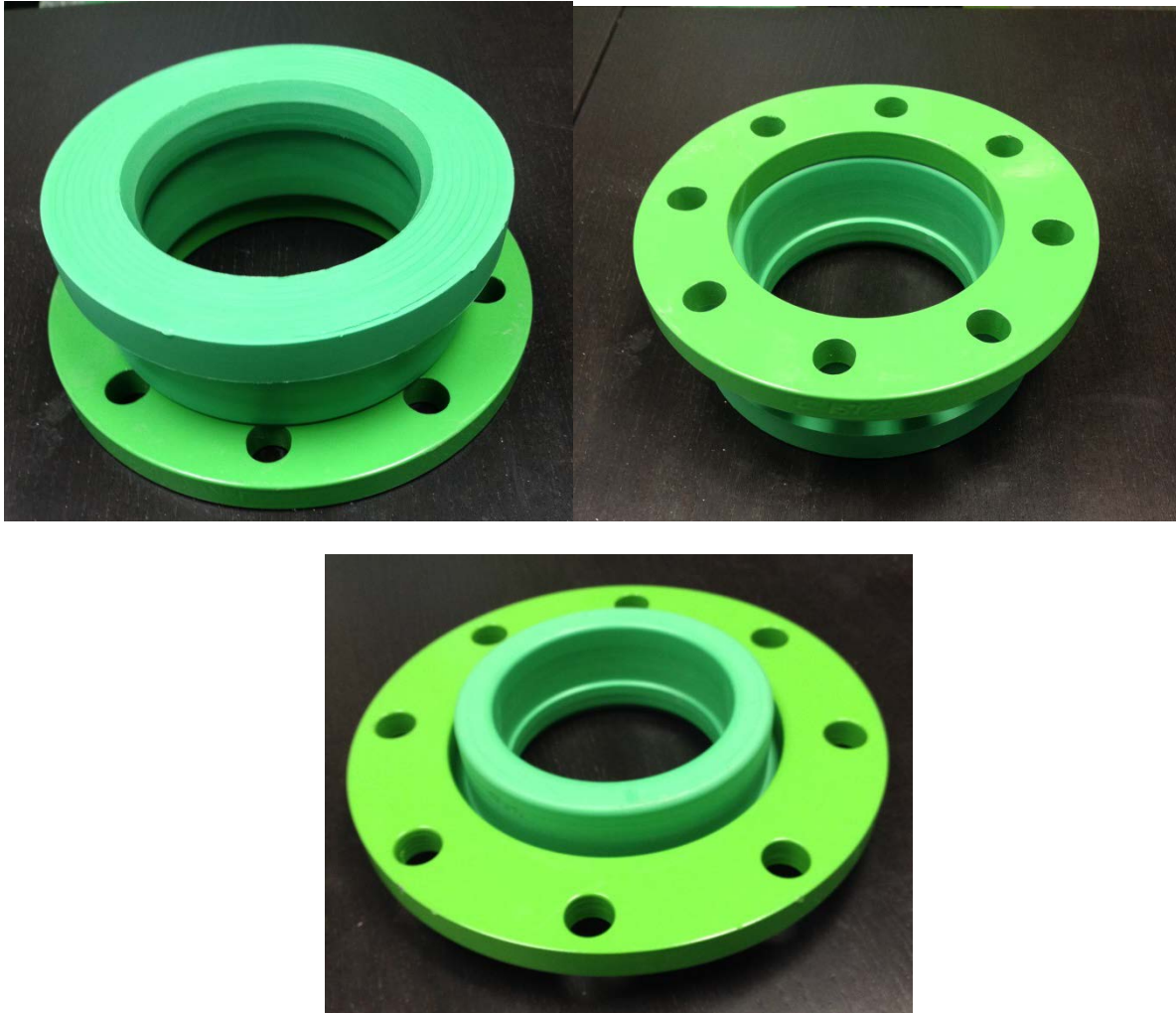


Figure 6: Two upper photos: 4" flange ring (No. 3315726) does not fit on 0115527. Lower photo shows 6" flange ring (No. 3315730) on 0115527 flange adapter.

The correct flange ring to use with this flange adapter is part number 3315730 which is actually a 6" flange ring. But if you are trying to connect to a 4" valve or other 4" flange adapter they will not mate up properly to the 0115527. It can only be used to make a connection to another Aquatherm pipe with the same 0115527 flange adapter.

Since this part is no longer listed in the catalog it is suggested that this part no longer be ordered to eliminate confusion and difficulties on the job.