



# AQUATHERM NORTH AMERICA PARTS GUIDE

 aquatherm®

# TABLE OF CONTENTS

|                              |    |
|------------------------------|----|
| <b>aquatherm blue pipe®</b>  | 2  |
| <b>aquatherm green pipe®</b> | 7  |
| 90(s)                        | 10 |
| 45(s)                        | 13 |
| Tee(s)                       | 18 |
| Reducing Tee(s)              | 21 |
| Couplings                    | 29 |
| Bushing                      | 30 |
| Reducing Coupling            | 31 |
| Butt-Fusion Reducer          | 32 |
| Fusion Outlets               | 33 |
| End Caps                     | 36 |
| Flanges                      | 37 |
| Union with Brass Nut         | 40 |
| Union with PP-R Nut          | 40 |
| Electrofusion Coupling       | 41 |
| Transition Fittings          | 42 |
| Valves                       | 52 |
| Accessories                  | 56 |
| Tools                        | 58 |

Note: Dimensional data for the fittings has been added to the Aquatherm Parts Guide. However, due to the ongoing expansion and improvement of the Aquatherm line, dimensions are occasionally modified to meet changing requirements or improve functionality. The online Parts Guide will provide the most current information. Please contact Aquatherm with any questions or discrepancies found between the Parts Guide and actual parts. Part numbers for configurations and fittings not shown here are available upon request.

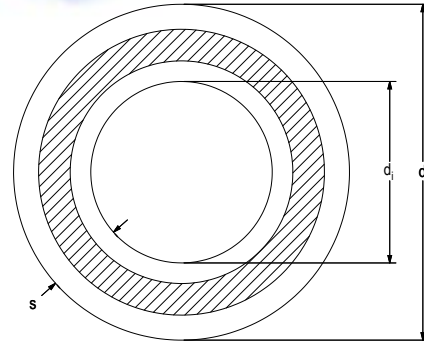
# PRODUCT RANGE - PIPE

## aquatherm blue pipe® SDR 17.6 MF RP

**Material:** Fusiole PP-RCT multi-layer, fiber-composite

**In accordance with:**

- NSF-14
- CSA-B137.11
- ICC AC 122
- ICC ESR 1613
- ASTM F 2389



**Appearance:** Blue

**NSF/APMO/ICC system certification:** Including fittings, connection pieces, and connection techniques.

**Fields of application:** Cooling distribution, condenser water, industrial applications, compressed air, and limited heating applications.

| Pipe <sup>a</sup> |                        |                     | Diameter <sup>b</sup> | Wall thickness | Internal diameter   | Water capacity | Weight <sup>c</sup> | Weight w/ water |
|-------------------|------------------------|---------------------|-----------------------|----------------|---------------------|----------------|---------------------|-----------------|
| New Part no.      | Old Part no.           | Dimension (ND — OD) | d (in)                | s (in)         | d <sub>i</sub> (in) | gal/ft         | lb/ft               | lb/ft           |
| 2017125024        | 3570128                | 4" — 125 mm         | 4.92                  | 0.28           | 4.37                | 0.776          | 1.92                | 8.41            |
| 9793570228        | 3570128x2 <sup>d</sup> | 4" — 125 mm         | 4.92                  | 0.28           | 4.37                | 0.776          | 1.92                | 8.41            |
| 2017160026        | 3570130                | 6" — 160 mm         | 6.30                  | 0.36           | 5.59                | 1.272          | 2.93                | 13.5            |
| 9793570230        | 3570130x2 <sup>d</sup> | 6" — 160 mm         | 6.30                  | 0.36           | 5.59                | 1.272          | 2.93                | 13.5            |
| 2017200028        | 3570134                | 8" — 200 mm         | 7.87                  | 0.45           | 6.97                | 1.987          | 4.57                | 22.0            |
| 9793570234        | 3570134x2 <sup>d</sup> | 8" — 200 mm         | 7.87                  | 0.45           | 6.97                | 1.987          | 4.57                | 22.0            |
| 2017250030        | 3570138                | 10" — 250 mm        | 9.84                  | 0.56           | 8.74                | 3.105          | 7.10                | 33.0            |
| 9793570238        | 3570138x2 <sup>d</sup> | 10" — 250 mm        | 9.84                  | 0.56           | 8.74                | 3.105          | 7.10                | 33.0            |
| 2017315032        | 3570142                | 12" — 315 mm        | 12.4                  | 0.70           | 11.0                | 4.930          | 11.3                | 52.3            |
| 9793570242        | 3570142x2 <sup>d</sup> | 12" — 315 mm        | 12.4                  | 0.70           | 11.0                | 4.930          | 11.3                | 52.3            |
| 2017355034        | 3570144                | 14" — 355 mm        | 14.0                  | 0.79           | 12.4                | 6.261          | 14.3                | 66.5            |
| 9793570244        | 3570144x2 <sup>d</sup> | 14" — 355 mm        | 14.0                  | 0.79           | 12.4                | 6.261          | 14.3                | 66.5            |
| 2017400036        | 3570146                | 16" — 400 mm        | 15.8                  | 0.89           | 14.0                | 7.949          | 18.1                | 84.4            |
| 9793570246        | 3570146x2 <sup>d</sup> | 16" — 400 mm        | 15.8                  | 0.89           | 14.0                | 7.949          | 18.1                | 84.4            |
| 2017450038        | 3570148                | 18" — 450 mm        | 17.7                  | 1.00           | 15.8                | 10.061         | 22.9                | 107             |
| 9793570248        | 3570148x2 <sup>d</sup> | 18" — 450 mm        | 17.7                  | 1.00           | 15.8                | 10.061         | 22.9                | 107             |
| 2017500040        | 3570150                | 20" — 500 mm        | 19.7                  | 1.12           | 17.4                | 12.421         | 28.3                | 132             |
| 9793570250        | 3570150x2 <sup>d</sup> | 20" — 500 mm        | 19.7                  | 1.12           | 17.4                | 12.421         | 28.3                | 132             |
| 2017630042        | 3570154                | 24" — 630 mm        | 24.8                  | 1.41           | 22.0                | 19.719         | 44.7                | 209             |
| 9793570254        | 3570154x2 <sup>d</sup> | 24" — 630 mm        | 24.8                  | 1.41           | 22.0                | 19.719         | 44.7                | 209             |

<sup>a</sup> Pipes come in standard 19 ft lengths (5.8 m). Doubles or other special lengths are available as a fabrication item.

<sup>b</sup> To calculate dimensions of the pipe in millimeters, multiply the imperial inches measurement by 25.4.

<sup>c</sup> To calculate the weight of the pipe in kg/m, multiply the measurement by 1.5.

<sup>d</sup> Pipe comes in 38 ft lengths.

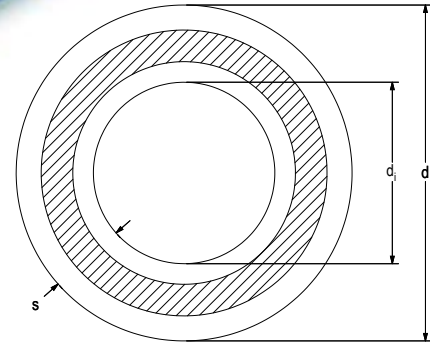
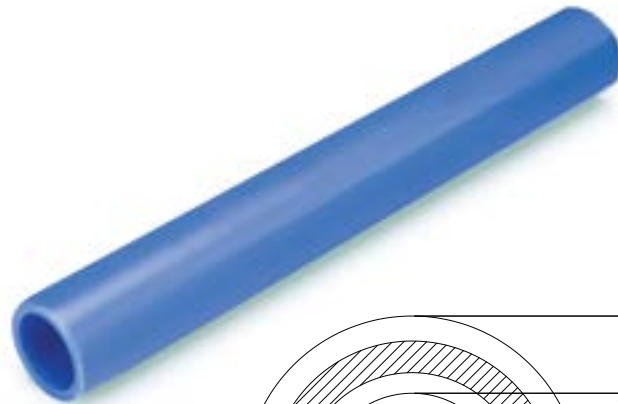


aquatherm blue pipe® SDR 11 MF RP

**Material:** Fusiolen PP-RCT multi-layer, faser-composite

**In accordance with:**

- NSF-14
- CSA-B137.11
- ICC AC 122
- ICC ESR 1613
- ASTM F 2389



**Appearance:** Blue

**NSF system certification:** Including fittings, connection pieces, and connection techniques.

**Fields of application:** Heating and cooling applications, industrial applications, compressed air.

| Pipe <sup>a</sup>                          |                        |                                                | Diameter <sup>b</sup> | Wall thickness | Internal diameter   | Water capacity | Weight <sup>c</sup> | Weight w/ water |
|--------------------------------------------|------------------------|------------------------------------------------|-----------------------|----------------|---------------------|----------------|---------------------|-----------------|
| New Part no.                               | Old Part no.           | Dimension (ND — OD)                            | d (in)                | s (in)         | d <sub>i</sub> (in) | gal/ft         | lb/ft               | lb/ft           |
| 2012020906                                 | 2672708                | ½" — 20 mm SDR 7.4                             | 0.79                  | 0.11           | 0.57                | 0.013          | 0.13                | 0.24            |
| 2012025908                                 | 2672710                | ¾" — 25 mm SDR 7.4                             | 0.98                  | 0.13           | 0.71                | 0.021          | 0.20                | 0.37            |
| 2013032110                                 | 1970712                | 1" — 32 mm SDR 9                               | 1.26                  | 0.11           | 1.03                | 0.043          | 0.19                | 0.55            |
| 2014040912                                 | 2672114                | 1 ¼" — 40 mm SDR 11                            | 1.57                  | 0.14           | 1.29                | 0.068          | 0.29                | 0.85            |
| 2014050914                                 | 2672116                | 1 ½" — 50 mm SDR 11                            | 1.97                  | 0.18           | 1.61                | 0.106          | 0.45                | 1.33            |
| 2014063916                                 | 2672118                | 2" — 63 mm SDR 11                              | 2.48                  | 0.23           | 2.03                | 0.168          | 0.70                | 2.12            |
| 2014075918                                 | 2672120                | 2 ½" — 75 mm SDR 11                            | 2.95                  | 0.27           | 2.42                | 0.238          | 1.00                | 2.98            |
| 2014090920                                 | 2672122                | 3" — 90 mm SDR 11                              | 3.54                  | 0.32           | 2.90                | 0.343          | 1.44                | 4.29            |
| 2014110922                                 | 2672124                | 3 ½" — 110 mm SDR 11                           | 4.33                  | 0.39           | 3.54                | 0.512          | 2.13                | 6.39            |
| 2014125924                                 | 2672126                | 4" — 125 mm SDR 11                             | 4.92                  | 0.45           | 4.02                | 0.661          | 2.77                | 8.25            |
| 9792672226                                 | 2672126x2 <sup>d</sup> | 4" — 125 mm SDR 11                             | 4.92                  | 0.45           | 4.02                | 0.661          | 2.77                | 8.25            |
| 2014160026                                 | 2071130                | 6" — 160 mm SDR 11                             | 6.30                  | 0.57           | 5.16                | 1.084          | 4.52                | 13.6            |
| 9792071230                                 | 2071130x2 <sup>d</sup> | 6" — 160 mm SDR 11                             | 6.30                  | 0.57           | 5.16                | 1.084          | 4.52                | 13.6            |
| 2014200028                                 | 2071134                | 8" — 200 mm SDR 11                             | 7.87                  | 0.72           | 6.46                | 1.693          | 7.04                | 21.2            |
| 9792071234                                 | 2071134x2 <sup>d</sup> | 8" — 200 mm SDR 11                             | 7.87                  | 0.72           | 6.46                | 1.693          | 7.04                | 21.2            |
| 2014250030                                 | 2071138                | 10" — 250 mm SDR 11                            | 9.84                  | 0.89           | 8.07                | 2.646          | 11.0                | 33.1            |
| 9792071238                                 | 2071138x2 <sup>d</sup> | 10" — 250 mm SDR 11                            | 9.84                  | 0.89           | 8.07                | 2.646          | 11.0                | 33.1            |
| 2014315032                                 | 2071142                | 12" — 315 mm SDR 11                            | 12.4                  | 1.13           | 10.2                | 4.201          | 17.3                | 52.3            |
| 9792071242                                 | 2071142x2 <sup>d</sup> | 12" — 315 mm SDR 11                            | 12.4                  | 1.13           | 10.2                | 4.201          | 17.3                | 52.3            |
| 2014355034                                 | 2071144                | 14" — 355 mm SDR 11                            | 14.0                  | 1.27           | 11.4                | 5.335          | 22.2                | 66.5            |
| 9792071244                                 | 2071144x2 <sup>d</sup> | 14" — 355 mm SDR 11                            | 14.0                  | 1.27           | 11.4                | 5.335          | 22.2                | 66.5            |
| 2014400036                                 | 2071146 <sup>e</sup>   | 16" — 400 mm SDR 11                            | 15.8                  | 1.43           | 12.9                | 6.773          | 27.8                | 84.1            |
| 2014450038                                 | 2071148 <sup>e</sup>   | 18" — 450 mm SDR 11                            | 17.7                  | 1.61           | 14.5                | 8.573          | 35.2                | 107             |
| The following items are supplied in coils: |                        |                                                |                       |                |                     |                |                     |                 |
| 2014020306                                 | 2010308                | ½" — 20 mm SDR 11 (100 m or 328' length coils) | 0.79                  | 0.07           | 0.65                | 0.017          | 0.07                | 0.21            |
| 2014025308                                 | 2010310                | ¾" — 25 mm SDR 11 (100 m or 328' length coils) | 0.98                  | 0.09           | 0.81                | 0.026          | 0.11                | 0.33            |
| 2014032310                                 | 2010312                | 1" — 32 mm SDR 11 (50 m or 164' length coils)  | 1.26                  | 0.11           | 1.03                | 0.043          | 0.17                | 0.53            |

<sup>a</sup> Pipes come in standard 19 ft lengths (5.8 m). Doubles or other special lengths are available as a fabrication item.

<sup>b</sup> To calculate dimensions of the pipe in millimeters, multiply the imperial inches measurement by 25.4.

<sup>c</sup> To calculate the weight of the pipe in kg/m, multiply the measurement by 1.5.

<sup>d</sup> Pipe comes in 38 ft lengths.

<sup>e</sup> Special order item. Please contact your sales representative for lead times.

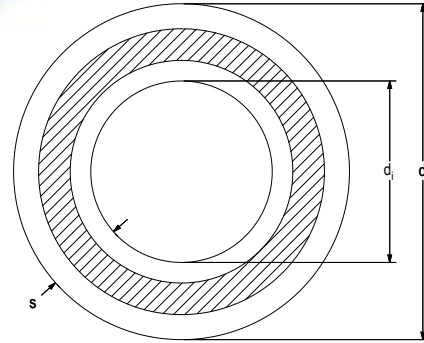
# PRODUCT RANGE - PIPE

## aquatherm blue pipe® SDR 9 MF RP

**Material:** Fusiole PP-RCT multi-layer, fiber-composite

**In accordance with:**

- NSF-14
- CSA-B137.11
- ICC AC 122
- ICC ESR 1613
- ASTM F 2389



**Appearance:** Blue

**NSF system certification:** Including fittings, connection pieces, and connection techniques.

**Fields of application:** Heating and cooling applications, industrial applications, compressed air.

| Pipe <sup>a</sup> |                      |                     | Diameter <sup>b</sup> |        | Wall thickness | Internal diameter   | Water capacity | Weight <sup>c</sup> | Weight w/ water |
|-------------------|----------------------|---------------------|-----------------------|--------|----------------|---------------------|----------------|---------------------|-----------------|
| New Part no.      | Old Part no.         | Dimension (ND — OD) | d (in)                | s (in) |                | d <sub>i</sub> (in) | gal/ft         | lb/ft               | lb/ft           |
| 2013032110        | 1970712              | 1" — 32 mm          | 1.26                  | 0.14   |                | 0.98                | 0.039          | 0.22                | 0.55            |
| 2013040012        | 1970714              | 1 ¼" — 40 mm        | 1.57                  | 0.18   |                | 1.22                | 0.061          | 0.35                | 0.85            |
| 2013050014        | 1970716              | 1 ½" — 50 mm        | 1.97                  | 0.22   |                | 1.53                | 0.095          | 0.54                | 1.33            |
| 2013063016        | 1970718              | 2" — 63 mm          | 2.48                  | 0.28   |                | 1.92                | 0.151          | 0.85                | 2.11            |
| 2013075018        | 1970720              | 2 ½" — 75 mm        | 2.95                  | 0.33   |                | 2.29                | 0.214          | 1.20                | 2.99            |
| 2013090020        | 1970722              | 3" — 90 mm          | 3.54                  | 0.40   |                | 2.75                | 0.308          | 1.73                | 4.30            |
| 2013110022        | 1970724              | 3 ½" — 110 mm       | 4.33                  | 0.48   |                | 3.36                | 0.461          | 2.56                | 6.41            |
| 2013125024        | 1970726              | 4" — 125 mm         | 4.92                  | 0.55   |                | 3.82                | 0.595          | 3.31                | 8.27            |
| 2013160026        | 1970730              | 6" — 160 mm         | 6.30                  | 0.70   |                | 4.89                | 0.975          | 5.41                | 13.5            |
| 2013200028        | 1970734              | 8" — 200 mm         | 7.87                  | 0.88   |                | 6.11                | 1.522          | 8.45                | 21.2            |
| 2013250030        | 1970738              | 10" — 250 mm        | 9.84                  | 1.10   |                | 7.65                | 2.384          | 13.2                | 33.0            |
| 2013315032        | 1970742 <sup>d</sup> | 12" — 315 mm        | 12.4                  | 1.39   |                | 9.63                | 3.782          | 20.9                | 52.5            |
| 2013355034        | 1970744 <sup>d</sup> | 14" — 355 mm        | 14.0                  | 1.56   |                | 10.9                | 4.801          | 26.5                | 66.6            |

<sup>a</sup> Pipes come in standard 19 ft lengths (5.8 m).

<sup>b</sup> To calculate dimensions of the pipe in millimeters, multiply the imperial inches measurement by 25.4.

<sup>c</sup> To calculate the weight of the pipe in kg/m, multiply the measurement by 1.5.

<sup>d</sup> Special order item. Please contact your sales representative for lead times.

**aquatherm blue pipe® SDR 17.6 MF RP UV**

**Material: Fusiolen PP-RCT multi-layer, faser-composite**

**In accordance with:**

- NSF-14
- CSA-B137.11
- ICC AC 122
- ICC ESR 1613
- ASTM F 2389

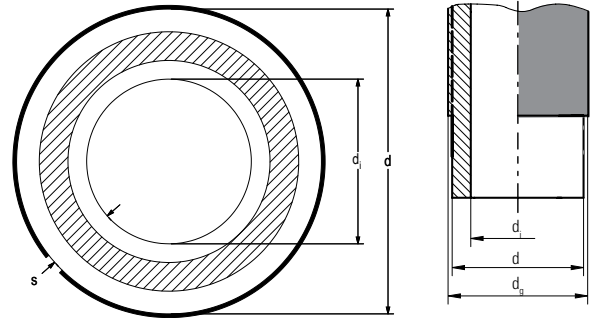


**Appearance:** Blue with black exterior.

**NSF system certification:** Including fittings, connection pieces and connection techniques.

**Fields of application:** All the same applications as the standard aquatherm blue pipe® SDR 17.6 MF RP, but for installations where the pipe is exposed to UV radiation.

**Note:** Because these parts are not stocked in large numbers, please contact Aquatherm for details about your order. Aquatherm UV Pipe available by special order only. Please contact Aquatherm for information.



| Pipe <sup>a</sup> |              |                     | Diameter <sup>b</sup> | Wall thickness | Internal diameter   | (d) total           | Water capacity | Weight <sup>c</sup> | Weight w/ water |
|-------------------|--------------|---------------------|-----------------------|----------------|---------------------|---------------------|----------------|---------------------|-----------------|
| New Part no.      | Old Part no. | Dimension (ND — OD) | d (in)                | s (in)         | d <sub>i</sub> (in) | d <sub>o</sub> (in) | gal/ft         | lb/ft               | lb/ft           |
| 2217160026        | 2570180      | 6" — 160 mm         | 6.30                  | 0.36           | 5.59                | 6.38                | 1.272          | 3.28                | 13.9            |
| 2217200028        | 2570184      | 8" — 200 mm         | 7.87                  | 0.45           | 6.97                | 7.95                | 1.987          | 5.09                | 21.6            |
| 2217250030        | 2570188      | 10" — 250 mm        | 9.84                  | 0.56           | 8.74                | 9.92                | 3.105          | 7.68                | 33.6            |
| 2217315032        | 2570192      | 12" — 315 mm        | 12.4                  | 0.70           | 11.0                | 12.5                | 4.930          | 12.0                | 53.0            |
| 2217355034        | 2570194      | 14" — 355 mm        | 14.0                  | 0.79           | 12.4                | 14.1                | 6.261          | 15.1                | 67.3            |
| 2217400036        | 2570196      | 16" — 400 mm        | 15.8                  | 0.89           | 14.0                | 15.9                | 7.949          | 19.1                | 85.4            |
| 2217450038        | 2570198      | 18" — 450 mm        | 17.7                  | 1.00           | 15.8                | 17.8                | 10.061         | 24.0                | 108             |
| 2217500040        | 2570200      | 20" — 500 mm        | 19.7                  | 1.12           | 17.4                | 19.8                | 12.421         | 29.6                | 133             |
| 2217630042        | 2570204      | 24" — 630 mm        | 24.8                  | 1.41           | 22.0                | 24.9                | 19.719         | 46.5                | 211             |

<sup>a</sup> Pipes come in standard 19 ft lengths (5.8 m).

<sup>b</sup> To calculate dimensions of the pipe in millimeters, multiply the imperial inches measurement by 25.4.

<sup>c</sup> To calculate the weight of the pipe in kg/m, multiply the measurement by 1.5.

# PRODUCT RANGE - PIPE

## aquatherm blue pipe® SDR 11 MF RP UV

**Material:** Fusiole PP-RCT multi-layer, fiber-composite

**In accordance with:**

- NSF-14
- CSA-B137.11
- ICC AC 122
- ICC ESR 1613
- ASTM F 2389

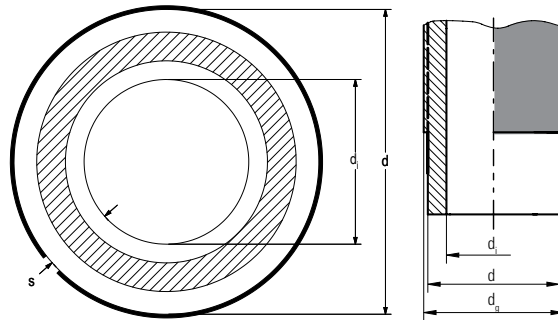


**Appearance:** Blue with black exterior.

**NSF system certification:** Including fittings, connection pieces and connection techniques.

**Fields of application:** All the same applications as the standard aquatherm blue pipe® SDR 11 MF RP, but for installations where the pipe is exposed to UV radiation.

**Note:** Because these parts are not stocked in large numbers, please contact Aquatherm for details about your order.



| Pipe <sup>a</sup> |              |                      | Diameter <sup>b</sup> | Wall thickness | Internal diameter   | (d) total           | Water capacity | Weight <sup>c</sup> | Weight w/ water |
|-------------------|--------------|----------------------|-----------------------|----------------|---------------------|---------------------|----------------|---------------------|-----------------|
| New Part no.      | Old Part no. | Dimension (ND — OD)  | d (in)                | s (in)         | d <sub>i</sub> (in) | d <sub>o</sub> (in) | gal/ft         | lb/ft               | lb/ft           |
| 2212020006        | 2070758      | ½" — 20 mm SDR 7.4   | 0.79                  | 0.11           | 0.57                | 0.87                | 0.013          | 0.14                | 0.25            |
| 2212025008        | 2070760      | ¾" — 25 mm SDR 7.4   | 0.98                  | 0.14           | 0.71                | 1.06                | 0.024          | 0.21                | 0.38            |
| 2214032010        | 2070162      | 1" — 32 mm SDR 9     | 1.26                  | 0.11           | 1.03                | 1.34                | 0.043          | 0.23                | 0.59            |
| 2214040012        | 2070164      | 1 ¼" — 40 mm SDR 11  | 1.57                  | 0.14           | 1.29                | 1.65                | 0.067          | 0.37                | 0.93            |
| 2214050014        | 2070166      | 1 ½" — 50 mm SDR 11  | 1.97                  | 0.18           | 1.61                | 2.05                | 0.105          | 0.55                | 1.43            |
| 2214063016        | 2070168      | 2" — 63 mm SDR 11    | 2.48                  | 0.23           | 2.03                | 2.56                | 0.167          | 0.84                | 2.24            |
| 2214075018        | 2070170      | 2 ½" — 75 mm SDR 11  | 2.95                  | 0.27           | 2.42                | 3.03                | 0.237          | 1.15                | 3.13            |
| 2214090020        | 2070172      | 3" — 90 mm SDR 11    | 3.54                  | 0.32           | 2.90                | 3.62                | 0.343          | 1.67                | 4.52            |
| 2214110022        | 2070174      | 3 ½" — 110 mm SDR 11 | 4.33                  | 0.39           | 3.54                | 4.41                | 0.512          | 2.48                | 6.74            |
| 2214125024        | 2070176      | 4" — 125 mm SDR 11   | 4.92                  | 0.45           | 4.02                | 5.00                | 0.661          | 3.14                | 8.62            |
| 2214160026        | 2070180      | 6" — 160 mm SDR 11   | 6.30                  | 0.57           | 5.16                | 6.38                | 1.082          | 5.05                | 14.1            |
| 2214200028        | 2070184      | 8" — 200 mm SDR 11   | 7.87                  | 0.72           | 6.46                | 7.95                | 1.692          | 7.67                | 21.8            |
| 2214250030        | 2070188      | 10" — 250 mm SDR 11  | 9.84                  | 0.89           | 8.07                | 9.92                | 2.646          | 11.9                | 34.0            |
| 2214315032        | 2070192      | 12" — 315 mm SDR 11  | 12.4                  | 1.13           | 10.2                | 12.5                | 4.201          | 18.0                | 53.0            |
| 2214355034        | 2070194      | 14" — 355 mm SDR 11  | 14.0                  | 1.27           | 11.4                | 14.1                | 5.335          | 30.0                | 67.3            |

<sup>a</sup> Pipes come in standard 19 ft lengths (5.8 m).

<sup>b</sup> To calculate dimensions of the pipe in millimeters, multiply the imperial inches measurement by 25.4.

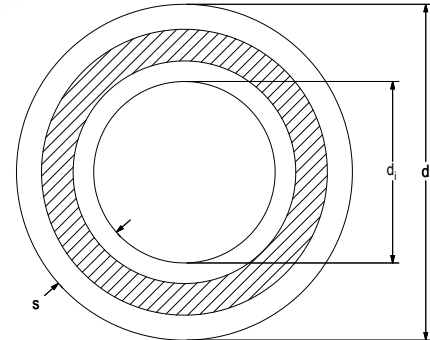
<sup>c</sup> To calculate the weight of the pipe in kg/m, multiply the measurement by 1.5.

**aquatherm green pipe® SDR 7.4 MF**

**Material:** Fusiolen PP-R multi-layer, fiber-composite

**In accordance with:**

- NSF 14, 51 & 61
- CSA-B137.11
- ICC AC 122
- ICC ESR 1613
- ASTM F2389
- CFIA #A508
- NFPA 13D



**Appearance:** Light green with dark green stripe.

**NSF system certification:** Including fittings, connection pieces, and connection techniques.

**Fields of application:** For high temperature, moderate pressure systems, particularly domestic hot water systems.

| Pipe <sup>a</sup> |                        |                     | Diameter <sup>b</sup> | Wall thickness | Internal diameter   | Water capacity | Weight <sup>c</sup> | Weight w/ water |
|-------------------|------------------------|---------------------|-----------------------|----------------|---------------------|----------------|---------------------|-----------------|
| New Part no.      | Old Part no.           | Dimension (ND — OD) | d (in)                | s (in)         | d <sub>i</sub> (in) | gal/ft         | lb/ft               | lb/ft           |
| 1012020906        | 0670708                | ½" — 20 mm          | 0.79                  | 0.11           | 0.57                | 0.013          | 0.11                | 0.22            |
| 1012025908        | 0670710                | ¾" — 25 mm          | 0.98                  | 0.14           | 0.71                | 0.021          | 0.17                | 0.34            |
| 1012032910        | 0670712                | 1" — 32 mm          | 1.26                  | 0.17           | 0.91                | 0.034          | 0.27                | 0.56            |
| 1012040912        | 0670714                | 1 ¼" — 40 mm        | 1.57                  | 0.22           | 1.14                | 0.054          | 0.41                | 0.84            |
| 1012050914        | 0670716                | 1 ½" — 50 mm        | 1.97                  | 0.27           | 1.43                | 0.084          | 0.64                | 1.31            |
| 1012063916        | 0670718                | 2" — 63 mm          | 2.48                  | 0.34           | 1.80                | 0.134          | 1.00                | 2.11            |
| 1012075918        | 0670720                | 2 ½" — 75 mm        | 2.95                  | 0.41           | 2.14                | 0.189          | 1.42                | 3.00            |
| 1012090920        | 0670722                | 3" — 90 mm          | 3.54                  | 0.48           | 2.57                | 0.273          | 2.04                | 4.31            |
| 1012110922        | 0670724                | 3 ½" — 110 mm       | 4.33                  | 0.59           | 3.14                | 0.407          | 3.04                | 7.33            |
| 1012125924        | 0670726                | 4" — 125 mm         | 4.92                  | 0.67           | 3.57                | 0.526          | 4.17                | 8.55            |
| 1012160926        | 0670730                | 6" — 160 mm         | 6.30                  | 0.86           | 4.57                | 0.862          | 6.55                | 13.8            |
| 9790670830        | 0670730x2 <sup>d</sup> | 6" — 160 mm         | 6.30                  | 0.86           | 4.57                | 0.862          | 6.55                | 13.8            |
| 1012200928        | 0670734                | 8" — 200 mm         | 7.87                  | 1.08           | 5.72                | 1.347          | 10.1                | 21.3            |
| 9790670834        | 0670734x2 <sup>d</sup> | 8" — 200 mm         | 7.87                  | 1.08           | 5.72                | 1.347          | 10.1                | 21.3            |
| 1012250930        | 0670738                | 10" — 250 mm        | 9.84                  | 1.35           | 7.15                | 2.105          | 15.8                | 33.2            |
| 9790670838        | 0670738x2 <sup>d</sup> | 10" — 250 mm        | 9.84                  | 1.35           | 7.15                | 2.105          | 15.8                | 33.2            |

<sup>a</sup> Pipes come in standard 19 ft lengths (5.8 m). Doubles or other special lengths are available as a fabrication item.

<sup>b</sup> To calculate dimensions of the pipe in millimeters, multiply the imperial inches measurement by 25.4.

<sup>c</sup> To calculate the weight of the pipe in kg/m, multiply the measurement by 1.5.

<sup>d</sup> Pipe comes in 38 ft lengths.



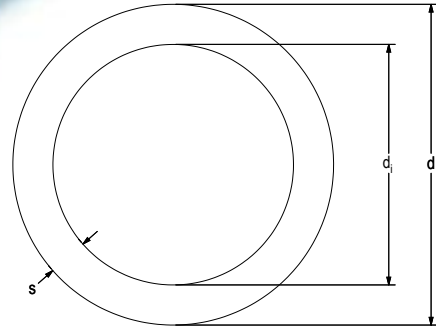
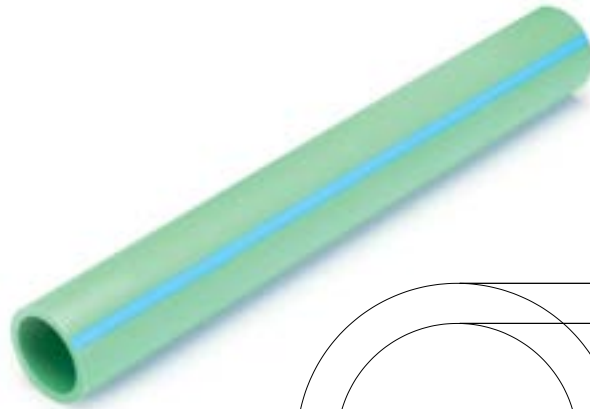
# PRODUCT RANGE - PIPE

## aquatherm green pipe® SDR 11 S

**Material:** Fusiolen PP-R

**In accordance with:**

- NSF-14
- NSF-51
- NSF-61
- CSA-B137.11
- ICC AC 122
- ICC ESR 1613
- ASTM F 2389
- CFIA #A508



**Appearance:** Light green with light blue stripe.

**NSF system certification:** Including fittings, connection pieces, and connection techniques.

**Fields of application:** Potable water, preferably domestic cold. Low pressure installations, such as well casings, food processing, and more.

| Pipe <sup>a</sup>                          |                        |                                               | Diameter <sup>b</sup> | Wall thickness | Internal diameter   | Water capacity | Weight <sup>c</sup> | Weight w/ water |
|--------------------------------------------|------------------------|-----------------------------------------------|-----------------------|----------------|---------------------|----------------|---------------------|-----------------|
| New Part no.                               | Old Part no.           | Dimension (ND — OD)                           | d (in)                | s (in)         | d <sub>i</sub> (in) | gal/ft         | lb/ft               | lb/ft           |
| 1014032910                                 | 0610212                | 1" — 32 mm SDR 11                             | 1.26                  | 0.11           | 1.03                | 0.043          | 0.18                | 0.54            |
| 1014040912                                 | 0610214                | 1 ¼" — 40 mm SDR 11                           | 1.57                  | 0.15           | 1.28                | 0.068          | 0.28                | 0.84            |
| 1014050914                                 | 0610216                | 1 ½" — 50 mm SDR 11                           | 1.97                  | 0.18           | 1.61                | 0.106          | 0.43                | 1.31            |
| 1014063916                                 | 0610218                | 2" — 63 mm SDR 11                             | 2.48                  | 0.23           | 2.02                | 0.168          | 0.68                | 2.08            |
| 1014075918                                 | 0610220                | 2 ½" — 75 mm SDR 11                           | 2.95                  | 0.27           | 2.42                | 0.238          | 0.95                | 2.93            |
| 1014090920                                 | 0610222                | 3" — 90 mm SDR 11                             | 3.54                  | 0.32           | 2.90                | 0.343          | 1.37                | 4.22            |
| 1014125924                                 | 0610226                | 4" — 125 mm SDR 11                            | 4.92                  | 0.45           | 4.02                | 0.661          | 2.64                | 8.12            |
| 9790610326                                 | 0610226x2 <sup>e</sup> | 4" — 125 mm SDR 11                            | 4.92                  | 0.45           | 4.02                | 0.661          | 2.64                | 8.12            |
| 1014160926                                 | 0610230                | 6" — 160 mm SDR 11                            | 6.30                  | 0.57           | 5.15                | 1.084          | 4.31                | 13.3            |
| 9790610330                                 | 0610230x2 <sup>e</sup> | 6" — 160 mm SDR 11                            | 6.30                  | 0.57           | 5.15                | 1.084          | 4.31                | 13.3            |
| 1014200928                                 | 0610234                | 8" — 200 mm SDR 11                            | 7.87                  | 0.72           | 6.44                | 1.693          | 6.71                | 20.9            |
| 9790610334                                 | 0610234x2 <sup>e</sup> | 8" — 200 mm SDR 11                            | 7.87                  | 0.72           | 6.44                | 1.693          | 6.70                | 20.9            |
| 1014250930                                 | 0610238                | 10" — 250 mm SDR 11                           | 9.84                  | 0.89           | 8.06                | 2.646          | 10.4                | 32.5            |
| 9790610338                                 | 0610238x2 <sup>e</sup> | 10" — 250 mm SDR 11                           | 9.84                  | 0.89           | 8.06                | 2.646          | 10.4                | 32.5            |
| 1014315032                                 | 0010242                | 12" — 315 mm SDR 11                           | 12.4                  | 1.13           | 10.2                | 4.201          | 17.3                | 52.3            |
| 9790010342                                 | 0010242x2 <sup>e</sup> | 12" — 315 mm SDR 11                           | 12.4                  | 1.13           | 10.2                | 4.201          | 17.3                | 52.3            |
| The following items are supplied in coils: |                        |                                               |                       |                |                     |                |                     |                 |
| 1014020306                                 | 0010308                | ½" — 20 mm SDR 11 (100m or 328' length coils) | 0.79                  | 0.07           | 0.64                | 0.017          | 0.07                | 0.21            |
| 1014025308                                 | 0010310                | ¾" — 25 mm SDR 11 (100m or 328' length coils) | 0.98                  | 0.09           | 0.80                | 0.026          | 0.11                | 0.33            |
| 1014032310                                 | 0010312                | 1" — 32 mm SDR 11 (50 m or 164' length coils) | 1.26                  | 0.11           | 1.03                | 0.043          | 0.17                | 0.53            |

<sup>a</sup> Pipe comes in standard 19 ft lengths (5.8 m). Doubles or other special lengths are available as a fabrication item.

<sup>b</sup> To calculate dimensions of the pipe in millimeters, multiply the imperial inches measurement by 25.4.

<sup>c</sup> To calculate the weight of the pipe in kg/m, multiply the measurement by 1.5.

<sup>d</sup> Mechanically stabilized with multi-layer, fiber-composite (MF) technology in the center of the pipe.

<sup>e</sup> Pipe comes in 38 ft lengths.

**aquatherm green pipe® SDR 7.4 MF UV**

**Material:** Fusiolen PP-R multi-layer, faser-composite

**In accordance with:**

- NSF-14
- NSF-51
- NSF-61
- CSA-B137.11
- ICC AC 122
- ICC ESR 1613
- ASTM F 2389
- CFIA #A508

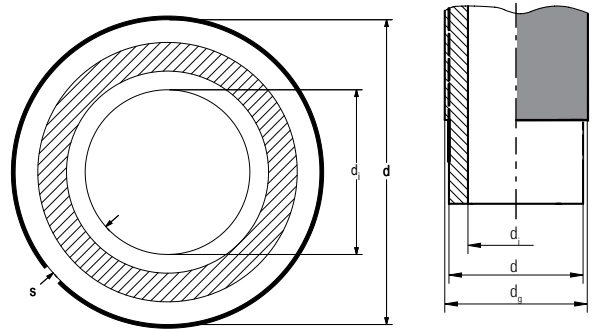


**Appearance:** Light green with black exterior.

**NSF system certification:** Including fittings, connection pieces and connection techniques.

**Fields of application:** All the same applications as the standard aquatherm green pipe® SDR 7.4 MF, but for installations where the pipe is exposed to UV radiation.

**Note:** Because these parts are not stocked in large numbers, please contact Aquatherm for details about your order. Pipe will not have NA listing marks on it, but can be special ordered with the marking. Aquatherm UV Pipe available by special order only. Please contact Aquatherm for information.



| Pipe <sup>a</sup> |              |                     | Diameter <sup>b</sup> | Wall thickness | Internal diameter   | (d) total           | Water capacity | Weight <sup>c</sup> | Weight w/ water |
|-------------------|--------------|---------------------|-----------------------|----------------|---------------------|---------------------|----------------|---------------------|-----------------|
| New Part no.      | Old Part no. | Dimension (ND — OD) | d (in)                | s (in)         | d <sub>i</sub> (in) | d <sub>o</sub> (in) | gal/ft         | lb/ft               | lb/ft           |
| 1212020006        | 0070758      | ½" — 20 mm          | 0.79                  | 0.11           | 14.4                | 0.87                | 0.013          | 0.14                | 0.25            |
| 1212025008        | 0070760      | ¾" — 25 mm          | 0.98                  | 0.14           | 18.0                | 1.06                | 0.021          | 0.21                | 0.38            |
| 1212032010        | 0070762      | 1" — 32 mm          | 1.26                  | 0.17           | 23.2                | 1.34                | 0.034          | 0.33                | 0.60            |
| 1212040012        | 0070764      | 1 ¼" — 40 mm        | 1.57                  | 0.22           | 29.0                | 1.65                | 0.054          | 0.49                | 0.92            |
| 1212050014        | 0070766      | 1 ½" — 50 mm        | 1.97                  | 0.27           | 36.2                | 2.05                | 0.084          | 0.74                | 1.41            |
| 1212063016        | 0070768      | 2" — 63 mm          | 2.48                  | 0.34           | 45.8                | 2.56                | 0.134          | 1.14                | 2.20            |
| 1212075018        | 0070770      | 2 ½" — 75 mm        | 2.95                  | 0.41           | 54.4                | 3.03                | 0.189          | 1.59                | 3.09            |
| 1212090020        | 0070772      | 3" — 90 mm          | 3.54                  | 0.48           | 65.4                | 3.62                | 0.273          | 2.28                | 4.46            |
| 1212110022        | 0070774      | 3 ½" — 110 mm       | 4.33                  | 0.59           | 79.8                | 4.45                | 0.407          | 3.42                | 6.66            |
| 1212125024        | 0070776      | 4" — 125 mm         | 4.92                  | 0.67           | 90.8                | 5.00                | 0.526          | 4.33                | 8.53            |
| 1212160026        | 0070780      | 6" — 160 mm         | 6.30                  | 0.86           | 116.2               | 6.38                | 0.826          | 7.00                | 13.9            |
| 1212200028        | 0070784      | 8" — 200 mm         | 7.87                  | 1.08           | 145.2               | 7.95                | 1.347          | 10.8                | 21.7            |
| 1212250030        | 0070788      | 10" — 250 mm        | 9.84                  | 1.35           | 181.6               | 9.92                | 2.105          | 16.8                | 34.0            |

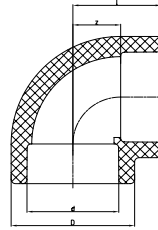
<sup>a</sup> Pipes come in standard 19 ft lengths (5.8 m).

<sup>b</sup> To calculate dimensions of the pipe in millimeters, multiply the imperial inches measurement by 25.4.

<sup>c</sup> To calculate the weight of the pipe in kg/m, multiply the measurement by 1.5.

# PRODUCT RANGE - 90(s)

## aquatherm ELBOW 90° (MOLDED, SOCKET)

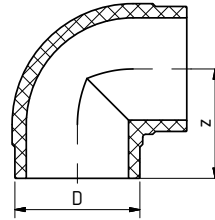


| New Part no. | Old Part no. | Dimension<br>(ND — OD) | d    | z    | l    | D    | Weight |
|--------------|--------------|------------------------|------|------|------|------|--------|
|              |              |                        | [in] | [in] | [in] | [in] | [lb]   |
| 1080020900   | 0112108      | ½" — 20 mm             | 0.79 | 0.43 | 1.00 | 1.16 | 0.04   |
| 1080025901   | 0112110      | ¾" — 25 mm             | 0.98 | 0.53 | 1.16 | 1.34 | 0.05   |
| 1080032902   | 0112112      | 1" — 32 mm             | 1.26 | 0.67 | 1.38 | 1.69 | 0.09   |
| 1080040903   | 0112114      | 1 ¼" — 40 mm           | 1.57 | 0.83 | 1.63 | 2.05 | 0.17   |
| 1080050904   | 0112116      | 1 ½" — 50 mm           | 1.97 | 1.02 | 1.95 | 2.68 | 0.36   |
| 1080063905   | 0112118      | 2" — 63 mm             | 2.48 | 1.28 | 2.36 | 3.31 | 0.65   |
| 1080075906   | 0112120      | 2 ½" — 75 mm           | 2.95 | 1.52 | 2.70 | 3.94 | 0.98   |
| 1080090907   | 0112122      | 3" — 90 mm             | 3.54 | 1.81 | 3.11 | 4.72 | 1.61   |
| 1080110908   | 0112124      | 3 ½" — 110 mm          | 4.33 | 2.20 | 3.66 | 5.79 | 2.85   |
| 1080125909   | 0112126      | 4" — 125 mm            | 4.92 | 3.01 | 4.59 | 6.57 | 4.42   |

## aquatherm ELBOW 90° SR (SHORT RADIUS, MOLDED, BUTT-FUSION)

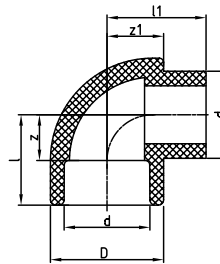
The length of some fittings may not accommodate all butt-fusion equipment.

**NOTE: Verify the equipment to be used is compatible with the fittings when ordering.**



| SDR  | New Part no. | Old Part No. | Dimension<br>(ND — OD) | D    | z    | Weight |
|------|--------------|--------------|------------------------|------|------|--------|
|      |              |              |                        | [in] | [in] | [lb]   |
| 17.6 | 2087160021   | 2512130      | 6" — 160 mm            | 6.30 | 5.71 | 3.62   |
|      | 2087200023   | 2512134      | 8" — 200 mm            | 7.87 | 8.23 | 6.45   |
|      | 2087250025   | 2512138      | 10" — 250 mm           | 9.84 | 9.45 | 11.8   |
| 11   | 1084160911   | 0112131      | 6" — 160 mm            | 6.30 | 5.71 | 5.65   |
|      | 1084200913   | 0112135      | 8" — 200 mm            | 7.87 | 8.23 | 9.26   |
|      | 1084250915   | 0112139      | 10" — 250 mm           | 9.84 | 9.45 | 16.9   |
| 9    | 1083160070   | 0312130      | 6" — 160 mm            | 6.30 | 5.71 | 5.23   |
|      | 1083200071   | 0312134      | 8" — 200 mm            | 7.87 | 6.88 | 10.9   |
|      | 1083250072   | 0312138      | 10" — 250 mm           | 9.84 | 8.63 | 19.8   |
| 7.4  | 1082160910   | 0112130      | 6" — 160 mm            | 6.30 | 5.71 | 5.65   |

## aquatherm STREET 90° female/male



| New Part no. | Old Part no. | Dimension<br>(ND — OD) | d    | z    | l    | D    | l1   | z1   | Weight |
|--------------|--------------|------------------------|------|------|------|------|------|------|--------|
|              |              |                        | [in] | [in] | [in] | [in] | [in] | [in] | [lb]   |
| 1080020916   | 0112308      | ½" — 20 mm             | 0.79 | 0.43 | 1.00 | 1.16 | 1.00 | 0.59 | 0.04   |
| 1080025917   | 0112310      | ¾" — 25 mm             | 0.98 | 0.53 | 1.16 | 1.34 | 1.16 | 0.67 | 0.05   |
| 1080032918   | 0112312      | 1" — 32 mm             | 1.26 | 0.67 | 1.38 | 1.69 | 1.54 | 0.85 | 0.10   |
| 1080040919   | 0112314      | 1 ¼" — 40 mm           | 1.57 | 0.83 | 1.63 | 2.05 | 1.79 | 1.02 | 0.18   |

**aquatherm blue pipe® ELBOW 90° SD (STANDARD DIMENSION, SEGMENTED, BUTT-FUSION)**

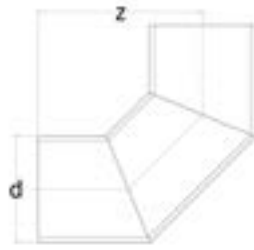


| SDR | New Part no. | Old Part no. | Dimension<br>(ND — OD) | d    | z                | Weight |
|-----|--------------|--------------|------------------------|------|------------------|--------|
|     |              |              |                        | [in] | [in, +0.25/-0.0] | [lb]   |
|     | 9797462142   | 7462142      | 12" — 315 mm           | 12.4 | 18.0             | 30.0   |
|     | 9797462144   | 7462144      | 14" — 355 mm           | 14.0 | 21.0             | 44.0   |
|     | 9797462146   | 7462146      | 16" — 400 mm           | 15.8 | 24.0             | 63.0   |
|     | 9797462148   | 7462148      | 18" — 450 mm           | 17.8 | 27.0             | 90.0   |
|     | 9797462150   | 7462150      | 20" — 500 mm           | 19.7 | 30.0             | 123    |
|     | 9797462154   | 7462154      | 24" — 630 mm           | 24.8 | 36.0             | 233    |
|     | 9797562142   | 7562142      | 12" — 315 mm           | 12.4 | 18.0             | 46.0   |
|     | 9797562144   | 7562144      | 14" — 355 mm           | 14.0 | 21.0             | 67.0   |
|     | 9797562146   | 7562146      | 16" — 400 mm           | 15.8 | 24.0             | 97.0   |
|     | 9797562148   | 7562148      | 18" — 450 mm           | 17.7 | 27.0             | 138    |
|     | 9797212142   | 7212142      | 12" — 315 mm           | 12.4 | 18.0             | 54.3   |
|     | 9797212144   | 7212144      | 14" — 355 mm           | 14.0 | 21.0             | 80.4   |

UV Coated fittings available upon request. Contact your Aquatherm Regional Sales Manager for pricing and availability.

## PRODUCT RANGE - 90(s)

### aquatherm green pipe® ELBOW 90° SD (STANDARD DIMENSION, SEGMENTED, BUTT-FUSION)



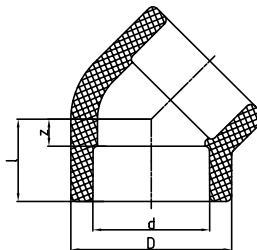
| SDR                 | New Part no. | Old Part no. | Dimension<br>(ND — OD) | d    | z                | Weight |
|---------------------|--------------|--------------|------------------------|------|------------------|--------|
|                     |              |              |                        | [in] | [in, +0.25/-0.0] | [lb]   |
| 11<br>Non-<br>Faser | 9797112142   | 7112142      | 12" — 315 mm           | 12.4 | 18.0             | 44.0   |
|                     | 9797112144   | 7112144      | 14" — 355 mm           | 14.0 | 21.0             | 65.0   |
|                     | 9797112146   | 7112146*     | 16" — 400 mm           | 15.8 | 24.0             | 94.0   |
|                     | 9797112148   | 7112148*     | 18" — 450 mm           | 17.7 | 27.0             | 133    |

\*Mechanically stabilized with multi-layer, fiber-composite (MF) technology in the center of the pipe wall.

UV Coated fittings available upon request. Contact your Aquatherm Regional Sales Manager for pricing and availability.



**aquatherm ELBOW 45° (MOLDED, SOCKET)**

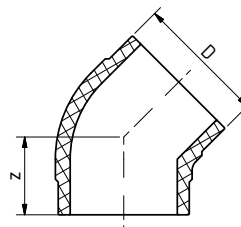


| New Part no. | Old Part no. | Dimension<br>(ND — OD) | d    | z    | l    | D    | Weight |
|--------------|--------------|------------------------|------|------|------|------|--------|
|              |              |                        | [in] | [in] | [in] | [in] | [lb]   |
| 1080020920   | 0112508      | ½" — 20 mm             | 0.79 | 0.20 | 0.77 | 1.16 | 0.03   |
| 1080025921   | 0112510      | ¾" — 25 mm             | 0.98 | 0.24 | 0.87 | 1.34 | 0.04   |
| 1080032922   | 0112512      | 1" — 32 mm             | 1.26 | 0.30 | 1.00 | 1.69 | 0.08   |
| 1080040923   | 0112514      | 1 ¼" — 40 mm           | 1.57 | 0.37 | 1.18 | 2.05 | 0.12   |
| 1080050924   | 0112516      | 1 ½" — 50 mm           | 1.97 | 0.45 | 1.38 | 2.68 | 0.25   |
| 1080063925   | 0112518      | 2" — 63 mm             | 2.48 | 0.55 | 1.63 | 3.31 | 0.50   |
| 1080075926   | 0112520      | 2 ½" — 75 mm           | 2.95 | 0.65 | 1.83 | 3.94 | 0.77   |
| 1080090927   | 0112522      | 3" — 90 mm             | 3.54 | 0.77 | 2.07 | 4.72 | 1.25   |
| 1080110928   | 0112524      | 3 ½" — 110 mm          | 4.33 | 0.93 | 2.38 | 5.79 | 2.26   |
| 1080125929   | 0112526      | 4" — 125 mm            | 4.92 | 1.06 | 2.64 | 6.57 | 2.93   |

**aquatherm ELBOW 45° (MOLDED, BUTT-FUSION)**

The length of some fittings may not accommodate all butt-fusion equipment.

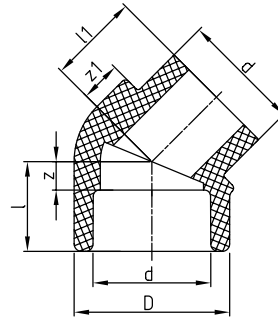
**NOTE: Verify the equipment to be used is compatible with the fittings when ordering.**



| SDR  | New Part no. | Old Part No. | Dimension<br>(ND — OD) | D    | z    | Weight |
|------|--------------|--------------|------------------------|------|------|--------|
|      |              |              |                        | [in] | [in] | [lb]   |
| 17.6 | 2087160020   | 2512530      | 6" — 160 mm            | 6.30 | 3.74 | 2.38   |
|      | 2087200022   | 2512534      | 8" — 200 mm            | 7.87 | 5.75 | 4.52   |
|      | 2087250024   | 2512538      | 10" — 250 mm           | 9.84 | 7.17 | 8.82   |
| 11   | 1084160931   | 0112531      | 6" — 160 mm            | 6.30 | 3.74 | 3.07   |
|      | 1084200933   | 0112535      | 8" — 200 mm            | 7.87 | 5.75 | 6.64   |
|      | 1084250935   | 0112539      | 10" — 250 mm           | 9.84 | 7.17 | 13.0   |
| 9    | 1083160030   | 0312530      | 6" — 160 mm            | 6.30 | 3.74 | 3.36   |
|      | 1083200031   | 0312534      | 8" — 200 mm            | 7.87 | 5.75 | 7.86   |
|      | 1083250032   | 0312538      | 10" — 250 mm           | 9.84 | 7.17 | 15.3   |
| 7.4  | 1082160930   | 0112530      | 6" — 160 mm            | 6.30 | 3.74 | 4.20   |

# PRODUCT RANGE - 45(s) MOLDED

## aquatherm STREET 45° female/male



| New Part no. | Old Part no. | Dimension<br>(ND — OD) | d    | z    | l    | D    | l1   | z1   | Weight |
|--------------|--------------|------------------------|------|------|------|------|------|------|--------|
|              |              |                        | [in] | [in] | [in] | [in] | [in] | [in] | [lb]   |
| 1080020936   | 0112708      | ½" — 20 mm             | 0.79 | 0.20 | 0.77 | 1.16 | 0.77 | 0.35 | 0.03   |
| 1080025937   | 0112710      | ¾" — 25 mm             | 0.98 | 0.24 | 0.87 | 1.34 | 0.87 | 0.33 | 0.04   |
| 1080032938   | 0112712      | 1" — 32 mm             | 1.26 | 0.30 | 1.00 | 1.69 | 1.12 | 0.45 | 0.08   |
| 1080040939   | 0112714      | 1 ¼" — 40 mm           | 1.57 | 0.37 | 1.18 | 2.05 | 1.20 | 0.53 | 0.13   |

## aquatherm blue pipe® ELBOW 45° SD (SEGMENTED, BUTT-FUSION)

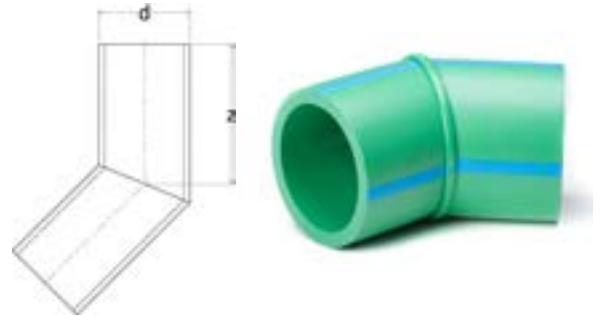


| SDR  | New Part no. | Old Part no. | Dimension<br>(ND — OD) | d    | z                | Weight |
|------|--------------|--------------|------------------------|------|------------------|--------|
|      |              |              |                        | [in] | [in, +0.25/-0.0] |        |
| 17.6 | 9797462542   | 7462542      | 12" — 315 mm           | 12.4 | 7.50             | 15.0   |
|      | 9797462544   | 7462544      | 14" — 355 mm           | 14.0 | 8.75             | 22.0   |
|      | 9797462546   | 7462546      | 16" — 400 mm           | 15.8 | 10.0             | 31.0   |
|      | 9797462548   | 7462548      | 18" — 450 mm           | 17.7 | 11.3             | 44.0   |
|      | 9797462550   | 7462550      | 20" — 500 mm           | 19.7 | 12.5             | 60.0   |
|      | 9797462554   | 7462554      | 24" — 630 mm           | 24.8 | 15.0             | 114    |
| 11   | 9797562542   | 7562542      | 12" — 315 mm           | 12.4 | 7.50             | 22.0   |
|      | 9797562544   | 7562544      | 14" — 355 mm           | 14.0 | 8.75             | 33.0   |
|      | 9797562546   | 7562546      | 16" — 400 mm           | 15.8 | 10.0             | 48.0   |
|      | 9797562548   | 7562548      | 18" — 450 mm           | 17.7 | 11.3             | 67.0   |
| 9    | 9797212542   | 7212542      | 12" — 315 mm           | 12.4 | 7.50             | 26.1   |
|      | 9797212544   | 7212544      | 14" — 355 mm           | 14.0 | 8.75             | 38.7   |

\*Made with the Z-value of the ANSI B16.9 3D fittings with a larger Z-value.

UV Coated fittings available upon request. Contact your Aquatherm Regional Sales Manager for pricing and availability.

aquatherm green pipe<sup>®</sup> ELBOW 45° (SEGMENTED, BUTT-FUSION)



| SDR                 | New Part no. | Old Part no.         | Dimension<br>(ND — OD) | d    | z                | Weight |
|---------------------|--------------|----------------------|------------------------|------|------------------|--------|
|                     |              |                      |                        | [in] | [in, +0.25/-0.0] | [lb]   |
| 11<br>Non-<br>Faser | 9797112542   | 7112542              | 12" — 315 mm           | 12.4 | 7.50             | 21.0   |
|                     | 9797112544   | 7112544              | 14" — 355 mm           | 14.0 | 8.75             | 32.0   |
|                     | 9797112546   | 7112546 <sup>b</sup> | 16" — 400 mm           | 15.8 | 10.0             | 46.0   |
|                     | 9797112548   | 7112548 <sup>b</sup> | 18" — 450 mm           | 17.7 | 11.3             | 65.0   |

<sup>a</sup>Made with the Z-value of the ANSI B16.9 3D fittings with a larger Z-value.

<sup>b</sup>Mechanically stabilized with multi-layer, fiber-composite (MF) technology in the center of the pipe wall.

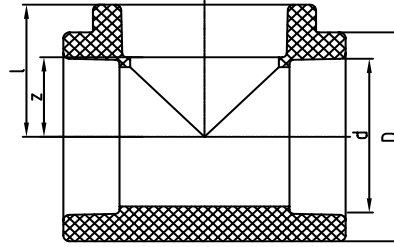
UV Coated fittings available upon request. Contact your Aquatherm Regional Sales Manager for pricing and availability.

# PRODUCT RANGE - TEE(s) (MOLDED)

## aquatherm TEE (MOLDED, SOCKET)

The length of some fittings may not fit all bench-top fusion equipment.

**NOTE: Verify the equipment to be used is compatible with the fittings when ordering.**

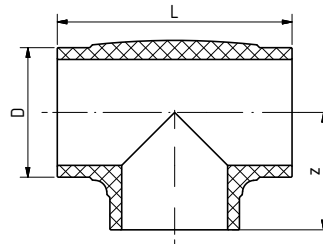


| New Part no. | Old Part no. | Dimension<br>(ND — OD) | d    | z    | l    | D    | Weight |
|--------------|--------------|------------------------|------|------|------|------|--------|
|              |              |                        | [in] | [in] | [in] | [in] | [lb]   |
| 1060020900   | 0113108      | ½" — 20 mm             | 0.79 | 0.43 | 1.00 | 1.16 | 0.05   |
| 1060025901   | 0113110      | ¾" — 25 mm             | 0.98 | 0.59 | 1.22 | 1.34 | 0.07   |
| 1060032902   | 0113112      | 1" — 32 mm             | 1.26 | 0.67 | 1.38 | 1.69 | 0.12   |
| 1060040903   | 0113114      | 1 ¼" — 40 mm           | 1.57 | 0.79 | 1.59 | 2.05 | 0.22   |
| 1060050904   | 0113116      | 1 ½" — 50 mm           | 1.97 | 1.02 | 1.95 | 2.68 | 0.39   |
| 1060063905   | 0113118      | 2" — 63 mm             | 2.48 | 1.28 | 2.36 | 3.31 | 0.81   |
| 1060075906   | 0113120      | 2 ½" — 75 mm           | 2.95 | 1.52 | 2.70 | 3.94 | 1.19   |
| 1060090907   | 0113122      | 3" — 90 mm             | 3.54 | 1.81 | 3.11 | 4.72 | 2.03   |
| 1060110908   | 0113124      | 3 ½" — 110 mm          | 4.33 | 2.20 | 3.66 | 5.79 | 3.52   |
| 1060125909   | 0113126      | 4" — 125 mm            | 4.92 | 3.01 | 4.59 | 6.57 | 5.89   |

## aquatherm TEE (MOLDED, BUTT-FUSION)

The length of some fittings may not accommodate all butt-fusion equipment.

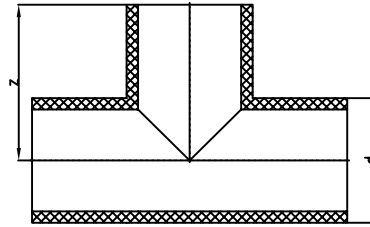
**NOTE: Verify the equipment to be used is compatible with the fittings when ordering.**



| SDR  | New Part no. | Old Part No. | Dimension<br>(ND — OD) | d    | z    | L    | Weight |
|------|--------------|--------------|------------------------|------|------|------|--------|
|      |              |              |                        | [in] | [in] | [in] | [lb]   |
| 17.6 | 2067160010   | 2513130      | 6" — 160 mm            | 6.30 | 5.71 | 11.4 | 5.18   |
|      | 2067200011   | 2513134      | 8" — 200 mm            | 7.87 | 8.07 | 16.1 | 8.87   |
|      | 2067250012   | 2513138      | 10" — 250 mm           | 9.84 | 9.57 | 19.1 | 17.2   |
| 11   | 1064160911   | 0113131      | 6" — 160 mm            | 6.30 | 5.71 | 11.4 | 5.18   |
|      | 1064200913   | 0113135      | 8" — 200 mm            | 7.87 | 8.07 | 16.1 | 12.6   |
|      | 1064250915   | 0113139      | 10" — 250 mm           | 9.84 | 9.57 | 19.1 | 24.1   |
| 9    | 1063160019   | 0313130      | 6" — 160 mm            | 6.30 | 5.71 | 11.4 | 7.25   |
|      | 1063200020   | 0313134      | 8" — 200 mm            | 7.87 | 8.07 | 16.1 | 14.8   |
|      | 1063250021   | 0313138      | 10" — 250 mm           | 9.84 | 9.57 | 19.1 | 28.1   |
| 7.4  | 1062160910   | 0113130      | 6" — 160 mm            | 6.30 | 5.71 | 11.4 | 7.94   |

# PRODUCT RANGE - TEE(s) SEGMENTED

**aquatherm blue pipe® TEE (SEGMENTED, BUTT-FUSION)**



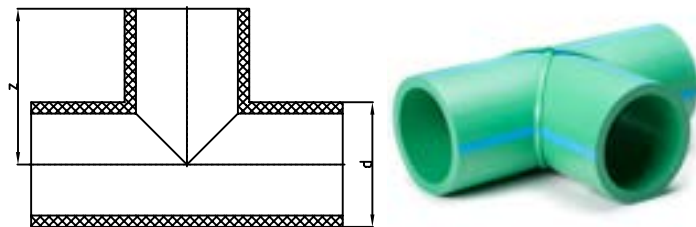
| SDR  | New Part no. | Old Part No. | Dimension<br>(ND — OD) | d    | z                | Weight |
|------|--------------|--------------|------------------------|------|------------------|--------|
|      |              |              |                        | [in] | [in, +0.25/-0.0] | lb/pc  |
| 17.6 | 9797563142   | 7563142      | 12" — 315 mm           | 12.4 | 18.1             | 48.0   |
|      | 9797563144   | 7563144      | 14" — 355 mm           | 14.0 | 18.9             | 63.0   |
|      | 9797563146   | 7563146      | 16" — 400 mm           | 15.8 | 19.7             | 82.0   |
|      | 9797563148   | 7563148      | 18" — 450 mm           | 17.7 | 20.7             | 108    |
|      | 9797563150   | 7563150      | 20" — 500 mm           | 19.7 | 23.6             | 152    |
|      | 9797563154   | 7563154      | 24" — 630 mm           | 24.1 | 26.2             | 265    |
| 11   | 9792063143   | 2063143      | 12" — 315 mm           | 12.4 | 18.1             | 74.0   |
|      | 9792063145   | 2063145      | 14" — 355 mm           | 14.0 | 18.9             | 97.0   |
|      | 9792063147   | 2063147      | 16" — 400 mm           | 15.8 | 19.7             | 127    |
|      | 9792063149   | 2063149      | 18" — 450 mm           | 17.7 | 20.7             | 166    |
| 9    | 9790813142   | 0813142      | 12" — 315 mm           | 12.4 | 18.1             | 94.6   |
|      | 9790813144   | 0813144      | 14" — 355 mm           | 14.0 | 18.9             | 125.4  |

UV Coated fittings available upon request. Contact your Aquatherm Regional Sales Manager for pricing and availability.



# PRODUCT RANGE - TEE(s) SEGMENTED

## aquatherm green pipe® TEE (SEGMENTED, BUTT-FUSION)



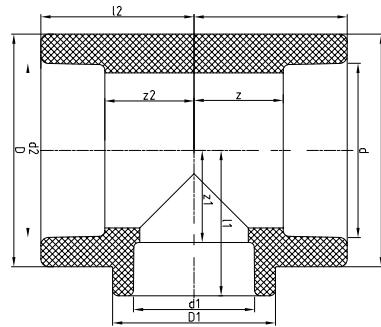
| SDR                 | New Part no. | Old Part no.         | Dimension<br>(ND — OD) | d    | z                | Weight |
|---------------------|--------------|----------------------|------------------------|------|------------------|--------|
|                     |              |                      |                        | [in] | [in, +0.25/-0.0] | [lb]   |
| 11<br>Non-<br>Faser | 9797113143   | 7113143              | 12" — 315 mm           | 12.4 | 18.1             | 71.0   |
|                     | 9797113145   | 7113145              | 14" — 355 mm           | 14.0 | 18.9             | 93.0   |
|                     | 9797113147   | 7113147 <sup>a</sup> | 16" — 400 mm           | 15.8 | 19.7             | 122    |
|                     | 9797113149   | 7113149 <sup>a</sup> | 18" — 450 mm           | 17.7 | 20.7             | 159    |

<sup>a</sup> Mechanically stabilized with multi-layer, faser-composite (MF) technology in the center of the pipe.

UV Coated fittings available upon request. Contact your Aquatherm Regional Sales Manager for pricing and availability.

**aquatherm REDUCING TEE (MOLDED, SOCKET)** (inlet, outlet, branch)

The length of some fittings may not fit all bench-top fusion equipment.



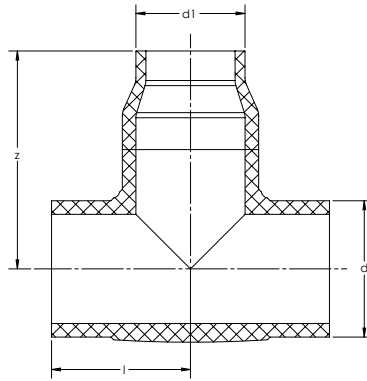
| New Part no. | Old Part no. | Dimension<br>(ND — OD)                 | d    | d1   | d2   | l    | l1   | l2   | z    | z1   | z2   | D    | D1   | Weight |
|--------------|--------------|----------------------------------------|------|------|------|------|------|------|------|------|------|------|------|--------|
|              |              |                                        | [in] | [in] | [in] | [in] | [in] | [in] | [in] | [in] | [in] | [in] | [in] | [lb]   |
| 1060020920   | 0113511      | ½" x ½" x ¾" — 20 x 20 x 25 mm         | 0.79 | 0.98 | 0.79 | 1.22 | 1.20 | 1.22 | 0.65 | 0.57 | 0.65 | 1.34 | 1.34 | 0.09   |
| 1060025921   | 0113520      | ¾" x ½" x ½" — 25 x 20 x 20 mm         | 0.98 | 0.79 | 0.79 | 1.22 | 1.20 | 1.22 | 0.65 | 0.63 | 0.65 | 1.34 | 1.34 | 0.08   |
| 1060025922   | 0113522      | ¾" x ¾" x ½" — 25 x 25 x 20 mm         | 0.98 | 0.79 | 0.98 | 1.22 | 1.20 | 1.22 | 0.65 | 0.63 | 0.65 | 1.34 | 1.34 | 0.08   |
| 1060032924   | 0113532      | 1" x ½" x ½" — 32 x 20 x 20 mm         | 1.26 | 0.79 | 0.79 | 1.44 | 1.46 | 1.44 | 0.74 | 0.89 | 0.74 | 1.69 | 1.69 | 0.17   |
| 1060032925   | 0113534      | 1" x 1" x ½" — 32 x 32 x 20 mm         | 1.26 | 0.79 | 1.26 | 1.38 | 1.22 | 1.38 | 0.67 | 0.65 | 0.67 | 1.69 | 1.16 | 0.12   |
| 1060032926   | 0113538      | 1" x ¾" x ¾" — 32 x 25 x 25 mm         | 1.26 | 0.98 | 0.98 | 1.38 | 1.36 | 1.38 | 0.67 | 0.73 | 0.67 | 1.69 | 1.69 | 0.15   |
| 1060032927   | 0113540      | 1" x 1" x ¾" — 32 x 32 x 25 mm         | 1.26 | 0.98 | 1.26 | 1.38 | 1.36 | 1.38 | 0.67 | 0.73 | 0.67 | 1.69 | 1.69 | 0.11   |
| 1060040928   | 0113542      | 1 ¼" x 1 ¼" x ½" — 40 x 40 x 20 mm     | 1.57 | 0.79 | 1.57 | 1.63 | 1.42 | 1.63 | 0.83 | 0.85 | 0.83 | 2.05 | 1.34 | 0.20   |
| 1060040929   | 0113544      | 1 ¼" x 1 ¼" x ¾" — 40 x 40 x 25 mm     | 1.57 | 0.98 | 1.57 | 1.63 | 1.42 | 1.63 | 0.83 | 0.79 | 0.83 | 2.05 | 1.34 | 0.20   |
| 1060040930   | 0113546      | 1 ¼" x 1 ¼" x 1" — 40 x 40 x 32 mm     | 1.57 | 1.26 | 1.57 | 1.65 | 1.59 | 1.65 | 0.85 | 0.89 | 0.85 | 2.05 | 2.05 | 0.20   |
| 1060050931   | 0113547      | 1 ½" x 1 ½" x ½" — 50 x 50 x 20 mm     | 1.97 | 0.79 | 1.97 | 1.95 | 1.59 | 1.95 | 1.02 | 1.02 | 1.02 | 2.68 | 1.16 | 0.36   |
| 1060050932   | 0113548      | 1 ½" x 1 ½" x ¾" — 50 x 50 x 25 mm     | 1.97 | 0.98 | 1.97 | 1.95 | 1.75 | 1.95 | 1.02 | 1.12 | 1.02 | 2.68 | 1.69 | 0.35   |
| 1060050933   | 0113550      | 1 ½" x 1 ½" x 1" — 50 x 50 x 32 mm     | 1.97 | 1.26 | 1.97 | 1.95 | 1.75 | 1.95 | 1.02 | 1.04 | 1.02 | 2.68 | 1.69 | 0.35   |
| 1060050934   | 0113551      | 1 ½" x 1 ½" x 1 ¼" — 50 x 50 x 40 mm   | 1.97 | 1.57 | 1.97 | 1.95 | 1.95 | 1.95 | 1.02 | 1.14 | 1.02 | 2.68 | 2.68 | 0.36   |
| 1060063935   | 0113552      | 2" x 2" x ½" — 63 x 63 x 20 mm         | 2.48 | 0.79 | 2.48 | 2.36 | 1.91 | 2.36 | 1.28 | 1.34 | 1.28 | 3.31 | 1.34 | 0.74   |
| 1060063936   | 0113554      | 2" x 2" x ¾" — 63 x 63 x 25 mm         | 2.48 | 0.98 | 2.48 | 2.36 | 1.91 | 2.36 | 1.28 | 1.28 | 1.28 | 3.31 | 1.34 | 0.73   |
| 1060063937   | 0113556      | 2" x 2" x 1" — 63 x 63 x 32 mm         | 2.48 | 1.26 | 2.48 | 2.36 | 2.11 | 2.36 | 1.28 | 1.40 | 1.28 | 3.31 | 2.05 | 0.75   |
| 1060063938   | 0113558      | 2" x 2" x 1 ¼" — 63 x 63 x 40 mm       | 2.48 | 1.57 | 2.48 | 2.36 | 2.11 | 2.36 | 1.28 | 1.30 | 1.28 | 3.31 | 2.05 | 0.73   |
| 1060063939   | 0113560      | 2" x 2" x 1 ½" — 63 x 63 x 50 mm       | 2.48 | 1.97 | 2.48 | 2.36 | 2.36 | 2.36 | 1.28 | 1.44 | 1.28 | 3.31 | 3.31 | 0.88   |
| 1060075940   | 0113561      | 2 ½" x 2 ½" x ½" — 75 x 75 x 20 mm     | 2.95 | 0.79 | 2.95 | 2.70 | 2.15 | 2.70 | 1.52 | 1.57 | 1.52 | 3.94 | 1.34 | 1.10   |
| 1060075941   | 0113562      | 2 ½" x 2 ½" x ¾" — 75 x 75 x 25 mm     | 2.95 | 0.98 | 2.95 | 2.70 | 2.15 | 2.70 | 1.52 | 1.52 | 1.52 | 3.94 | 1.34 | 1.10   |
| 1060075942   | 0113564      | 2 ½" x 2 ½" x 1" — 75 x 75 x 32 mm     | 2.95 | 1.26 | 2.95 | 2.70 | 2.32 | 2.70 | 1.52 | 1.61 | 1.52 | 3.94 | 2.05 | 1.11   |
| 1060075943   | 0113566      | 2 ½" x 2 ½" x 1 ¼" — 75 x 75 x 40 mm   | 2.95 | 1.57 | 2.95 | 2.70 | 2.32 | 2.70 | 1.52 | 1.52 | 1.52 | 3.94 | 2.05 | 1.10   |
| 1060075944   | 0113568      | 2 ½" x 2 ½" x 1 ½" — 75 x 75 x 50 mm   | 2.95 | 1.97 | 2.95 | 2.70 | 2.60 | 2.70 | 1.52 | 1.67 | 1.52 | 3.94 | 3.31 | 1.21   |
| 1060075945   | 0113570      | 2 ½" x 2 ½" x 2" — 75 x 75 x 63 mm     | 2.95 | 2.48 | 2.95 | 2.70 | 2.60 | 2.70 | 1.52 | 1.52 | 1.52 | 3.94 | 3.31 | 1.13   |
| 1060090946   | 0113576      | 3" x 3" x 1" — 90 x 90 x 32 mm         | 3.54 | 1.26 | 3.54 | 3.11 | 2.56 | 3.11 | 1.81 | 1.85 | 1.81 | 4.72 | 2.05 | 1.94   |
| 1060090947   | 0113578      | 3" x 3" x 1 ¼" — 90 x 90 x 40 mm       | 3.54 | 1.57 | 3.54 | 3.11 | 2.56 | 3.11 | 1.81 | 1.75 | 1.81 | 4.72 | 2.05 | 1.90   |
| 1060090948   | 0113580      | 3" x 3" x 1 ½" — 90 x 90 x 50 mm       | 3.54 | 1.97 | 3.54 | 3.11 | 2.95 | 3.11 | 1.81 | 2.03 | 1.81 | 4.72 | 3.31 | 2.00   |
| 1060090949   | 0113582      | 3" x 3" x 2" — 90 x 90 x 63 mm         | 3.54 | 2.48 | 3.54 | 3.11 | 2.95 | 3.11 | 1.81 | 1.87 | 1.81 | 4.72 | 3.31 | 1.93   |
| 1060090950   | 0113584      | 3" x 3" x 2 ½" — 90 x 90 x 75 mm       | 3.54 | 2.95 | 3.54 | 3.11 | 3.19 | 3.11 | 1.81 | 2.01 | 1.81 | 4.72 | 4.72 | 2.18   |
| 1060110951   | 0113586      | 3 ½" x 3 ½" x 2" — 110 x 110 x 63 mm   | 4.33 | 2.48 | 4.33 | 3.66 | 3.44 | 3.66 | 2.20 | 2.36 | 2.20 | 5.79 | 4.33 | 3.44   |
| 1060110952   | 0113588      | 3 ½" x 3 ½" x 2 ½" — 110 x 110 x 75 mm | 4.33 | 2.95 | 4.33 | 3.66 | 3.44 | 3.66 | 2.20 | 2.26 | 2.20 | 5.79 | 4.33 | 3.33   |
| 1060110953   | 0113590      | 3 ½" x 3 ½" x 3" — 110 x 110 x 90 mm   | 4.33 | 3.54 | 4.33 | 3.66 | 3.50 | 3.66 | 2.20 | 2.20 | 2.20 | 5.79 | 4.72 | 3.41   |
| 1060125954   | 0113592      | 4" x 4" x 2 ½" — 125 x 125 x 75 mm     | 4.92 | 2.95 | 4.92 | 4.59 | 4.19 | 4.59 | 3.01 | 3.01 | 3.01 | 6.57 | 3.94 | 5.35   |
| 1060125955   | 0113594      | 4" x 4" x 3" — 125 x 125 x 90 mm       | 4.92 | 3.54 | 4.92 | 4.59 | 4.31 | 4.59 | 3.01 | 3.01 | 3.01 | 6.57 | 4.72 | 5.53   |
| 1060125956   | 0113596      | 4" x 4" x 3 ½" — 125 x 125 x 110 mm    | 4.92 | 4.33 | 4.92 | 4.59 | 4.47 | 4.59 | 3.01 | 3.01 | 3.01 | 6.57 | 5.79 | 5.65   |

Please note that the descriptions above provide the dimensions following the North American norm (run x run x branch), but the packaging may follow the European norm (run x branch x run). The part number is the same regardless.

# PRODUCT RANGE - REDUCING TEE(S)

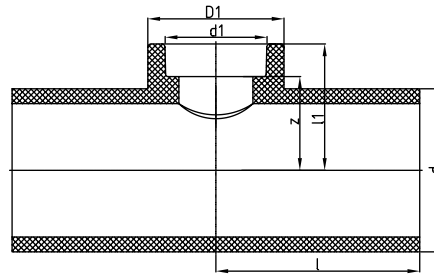
## aquatherm REDUCING TEE (MOLDED, BUTT-FUSION)

**NOTE: Verify the equipment to be used is compatible with the fittings when ordering.**



| SDR  | New Part no. | Old Part No. | Dimension<br>(ND — OD)              | d    | d1   | z    | l    | Weight |
|------|--------------|--------------|-------------------------------------|------|------|------|------|--------|
|      |              |              |                                     | [in] | [in] | [in] | [in] | lb/pc  |
| 17.6 | 9792523604   | 2523604      | 6" x 6" x 4" - 160 x 160 x 125 mm   | 6.30 | 4.92 | 8.37 | 5.71 | 6.23   |
|      | 9792523618   | 2523618      | 8" x 8" x 6" - 200 x 200 x 160 mm   | 7.87 | 6.30 | 12.6 | 8.07 | 11.7   |
|      | 9792523634   | 2523634      | 10" x 10" x 6" - 250 x 250 x 160 mm | 9.84 | 6.30 | 15.6 | 9.57 | 22.2   |
|      | 9792523640   | 2523640      | 10" x 10" x 8" - 250 x 250 x 200 mm | 9.84 | 7.87 | 15.6 | 9.57 | 22.6   |
| 11   | 9792623605   | 2623605      | 6" x 6" x 4" - 160 x 160 x 125 mm   | 6.30 | 4.92 | 8.37 | 5.71 | 7.93   |
|      | 9792623619   | 2623619      | 8" x 8" x 6" - 200 x 200 x 160 mm   | 7.87 | 6.30 | 12.6 | 8.07 | 16.4   |
|      | 9792623635   | 2623635      | 10" x 10" x 6" - 250 x 250 x 160 mm | 9.84 | 6.30 | 15.6 | 9.57 | 31.0   |
|      | 9792623641   | 2623641      | 10" x 10" x 8" - 250 x 250 x 200 mm | 9.84 | 7.87 | 15.6 | 9.57 | 31.5   |
| 9    | 9790823604   | 0823604      | 6" x 6" x 4" - 160 x 160 x 125 mm   | 6.30 | 4.92 | 8.37 | 5.71 | 9.04   |
|      | 9790823618   | 0823618      | 8" x 8" x 6" - 200 x 200 x 160 mm   | 7.87 | 6.30 | 12.6 | 8.07 | 19.0   |
|      | 9790823634   | 0823634      | 10" x 10" x 6" - 250 x 250 x 160 mm | 9.84 | 6.30 | 15.6 | 9.57 | 35.9   |
|      | 9790823640   | 0823640      | 10" x 10" x 8" - 250 x 250 x 200 mm | 9.84 | 7.87 | 15.6 | 9.57 | 36.6   |
| 7.4  | 9790213604   | 0213604      | 6" x 6" x 4" - 160 x 160 x 125 mm   | 6.30 | 4.92 | 8.37 | 5.71 | 9.95   |

aquatherm blue pipe® REDUCING TEE (OUTLET) (inlet, outlet, branch)



| SDR        | New Part no.         | Old Part no.                         | Dimension<br>(ND — OD)                  | d    | d1   | l    | l1   | z    | D1   | Weight |
|------------|----------------------|--------------------------------------|-----------------------------------------|------|------|------|------|------|------|--------|
|            |                      |                                      |                                         | [in] | [in] | [in] | [in] | [in] | [in] | [lb]   |
| 17.6       | 9792563600           | 2563600                              | 6" x 6" x 2 1/2" — 160 x 160 x 75 mm    | 6.30 | 2.95 | 9.06 | 4.80 | 3.62 | 3.94 | 4.91   |
|            | 9792563602           | 2563602                              | 6" x 6" x 3" — 160 x 160 x 90 mm        | 6.30 | 3.54 | 9.06 | 4.92 | 3.62 | 4.27 | 5.21   |
|            | 9792563608           | 2563608                              | 8" x 8" x 2 1/2" — 200 x 200 x 75 mm    | 7.87 | 2.95 | 11.8 | 5.59 | 4.41 | 3.94 | 7.98   |
|            | 9792563610           | 2563610                              | 8" x 8" x 3" — 200 x 200 x 90 mm        | 7.87 | 3.54 | 11.8 | 5.71 | 4.41 | 4.27 | 8.25   |
|            | 9792563612           | 2563612                              | 8" x 8" x 3 1/2" — 200 x 200 x 110 mm   | 7.87 | 4.33 | 11.8 | 5.87 | 4.41 | 5.79 | 8.77   |
|            | 9792563614           | 2563614                              | 8" x 8" x 4" — 200 x 200 x 125 mm       | 7.87 | 4.92 | 11.8 | 6.10 | 4.53 | 6.57 | 9.41   |
|            | 9792563624           | 2563624                              | 10" x 10" x 2 1/2" — 250 x 250 x 75 mm  | 9.84 | 2.95 | 14.8 | 6.57 | 5.39 | 3.94 | 18.0   |
|            | 9792563626           | 2563626                              | 10" x 10" x 3" — 250 x 250 x 90 mm      | 9.84 | 3.54 | 14.8 | 6.69 | 5.39 | 4.27 | 18.3   |
|            | 9792563628           | 2563628                              | 10" x 10" x 3 1/2" — 250 x 250 x 110 mm | 9.84 | 4.33 | 14.8 | 6.85 | 5.39 | 5.79 | 18.8   |
|            | 9792563630           | 2563630                              | 10" x 10" x 4" — 250 x 250 x 125 mm     | 9.84 | 4.92 | 14.8 | 7.09 | 5.51 | 6.57 | 19.8   |
|            | 9792563651           | 2563651                              | 12" x 12" x 4" — 315 x 315 x 125 mm     | 12.4 | 4.92 | 18.1 | 8.39 | 6.81 | 6.57 | 38.7   |
|            | 9792563653           | 2563653 <sup>a</sup>                 | 12" x 12" x 6" — 315 x 315 x 160 mm     | 12.4 | -    | 18.1 | 9.37 | -    | 6.30 | 36.8   |
|            | 9792563663           | 2563663                              | 14" x 14" x 4" — 355 x 355 x 125 mm     | 14.0 | 4.92 | 18.9 | 9.17 | 7.60 | 6.57 | 47.4   |
|            | 9792563665           | 2563665 <sup>a</sup>                 | 14" x 14" x 6" — 355 x 355 x 160 mm     | 14.0 | -    | 18.9 | 10.2 | -    | 6.30 | 47.4   |
|            | 9792563667           | 2563667 <sup>a</sup>                 | 14" x 14" x 8" — 355 x 355 x 200 mm     | 14.0 | -    | 18.9 | 10.5 | -    | 7.87 | 48.3   |
|            | 9792563676           | 2563676                              | 16" x 16" x 4" — 400 x 400 x 125 mm     | 15.8 | 4.92 | 19.7 | 10.0 | 8.46 | 6.57 | 61.1   |
|            | 9792563678           | 2563678 <sup>a</sup>                 | 16" x 16" x 6" — 400 x 400 x 160 mm     | 15.8 | -    | 19.7 | 11.0 | -    | 6.30 | 65.5   |
|            | 9792563680           | 2563680 <sup>a</sup>                 | 16" x 16" x 8" — 400 x 400 x 200 mm     | 15.8 | -    | 19.7 | 11.0 | -    | 7.87 | 65.5   |
|            | 9792563682           | 2563682 <sup>a</sup>                 | 16" x 16" x 10" — 400 x 400 x 250 mm    | 15.8 | -    | 19.7 | 11.0 | -    | 9.84 | 63.9   |
|            | 9792563690           | 2563690                              | 18" x 18" x 4" — 450 x 450 x 125 mm     | 17.7 | 4.92 | 20.7 | 11.0 | 9.45 | 6.57 | 80.4   |
|            | 9792563692           | 2563692 <sup>a</sup>                 | 18" x 18" x 6" — 450 x 450 x 160 mm     | 17.7 | -    | 20.7 | 12.0 | -    | 6.30 | 81.6   |
|            | 9792563694           | 2563694 <sup>a</sup>                 | 18" x 18" x 8" — 450 x 450 x 200 mm     | 17.7 | -    | 20.7 | 12.0 | -    | 7.87 | 81.6   |
|            | 9792563696           | 2563696 <sup>a</sup>                 | 18" x 18" x 10" — 450 x 450 x 250 mm    | 17.7 | -    | 20.7 | 12.0 | -    | 9.84 | 81.6   |
|            | 9792563698           | 2563698 <sup>a</sup>                 | 18" x 18" x 12" — 450 x 450 x 315 mm    | 17.7 | -    | 20.7 | 12.4 | -    | 12.4 | 81.6   |
|            | 9792563804           | 2563804                              | 20" x 20" x 4" — 500 x 500 x 125 mm     | 19.7 | 4.92 | 23.6 | 12.0 | 10.4 | 6.57 | 113    |
|            | 9792563806           | 2563806 <sup>a</sup>                 | 20" x 20" x 6" — 500 x 500 x 160 mm     | 19.7 | -    | 23.6 | 13.0 | -    | 6.30 | 118    |
|            | 9792563808           | 2563808 <sup>a</sup>                 | 20" x 20" x 8" — 500 x 500 x 200 mm     | 19.7 | -    | 23.6 | 13.0 | -    | 7.87 | 118    |
|            | 9792563810           | 2563810 <sup>a</sup>                 | 20" x 20" x 10" — 500 x 500 x 250 mm    | 19.7 | -    | 23.6 | 13.0 | -    | 9.84 | 118    |
|            | 9792563812           | 2563812 <sup>a</sup>                 | 20" x 20" x 12" — 500 x 500 x 315 mm    | 19.7 | -    | 23.6 | 13.3 | -    | 12.4 | 119    |
|            | 9792563839           | 2563839                              | 24" x 24" x 4" — 630 x 630 x 125 mm     | 24.8 | 4.92 | 26.2 | 14.6 | 13.0 | 6.57 | 197    |
| 9792563841 | 2563841 <sup>a</sup> | 24" x 24" x 6" — 630 x 630 x 160 mm  | 24.8                                    | -    | 26.2 | 15.7 | -    | 6.30 | 202  |        |
| 9792563843 | 2563843 <sup>a</sup> | 24" x 24" x 8" — 630 x 630 x 200 mm  | 24.8                                    | -    | 26.2 | 15.7 | -    | 7.87 | 202  |        |
| 9792563845 | 2563845 <sup>a</sup> | 24" x 24" x 10" — 630 x 630 x 250 mm | 24.8                                    | -    | 26.2 | 15.7 | -    | 9.84 | 202  |        |
| 9792563847 | 2563847 <sup>a</sup> | 24" x 24" x 12" — 630 x 630 x 315 mm | 24.8                                    | -    | 26.2 | 16.1 | -    | 12.4 | 204  |        |

<sup>a</sup>Branch outlet has a butt-fusion connection.

# PRODUCT RANGE - REDUCING TEE(s)

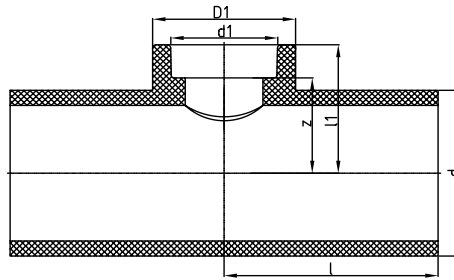
## aquatherm blue pipe® REDUCING TEE (OUTLET) (continued)

| SDR        | New Part no.         | Old Part no.                         | Dimension<br>(ND — OD)                  | d    | d1   | l    | l1   | z    | D1   | Weight |
|------------|----------------------|--------------------------------------|-----------------------------------------|------|------|------|------|------|------|--------|
|            |                      |                                      |                                         | [in] | [in] | [in] | [in] | [in] | [in] | [lb]   |
| 11         | 9792663601           | 2663601                              | 6" x 6" x 2 1/2" — 160 x 160 x 75 mm    | 6.30 | 2.95 | 9.06 | 4.80 | 3.62 | 3.94 | 7.33   |
|            | 9792663603           | 2663603                              | 6" x 6" x 3" — 160 x 160 x 90 mm        | 6.30 | 3.54 | 9.06 | 4.92 | 3.62 | 4.72 | 11.4   |
|            | 9792663609           | 2663609                              | 8" x 8" x 2 1/2" — 200 x 200 x 75 mm    | 7.87 | 2.95 | 11.8 | 5.59 | 4.41 | 3.94 | 12.0   |
|            | 9792663611           | 2663611                              | 8" x 8" x 3" — 200 x 200 x 90 mm        | 7.87 | 3.54 | 11.8 | 5.71 | 4.41 | 4.72 | 12.3   |
|            | 9792663613           | 2663613                              | 8" x 8" x 3 1/2" — 200 x 200 x 110 mm   | 7.87 | 4.33 | 11.8 | 5.87 | 4.41 | 5.79 | 12.8   |
|            | 9792663615           | 2663615                              | 8" x 8" x 4" — 200 x 200 x 125 mm       | 7.87 | 4.92 | 11.8 | 6.10 | 4.53 | 6.57 | 13.5   |
|            | 9792663625           | 2663625                              | 10" x 10" x 2 1/2" — 250 x 250 x 75 mm  | 9.84 | 2.95 | 14.8 | 6.57 | 5.39 | 3.94 | 27.4   |
|            | 9792663627           | 2663627                              | 10" x 10" x 3" — 250 x 250 x 90 mm      | 9.84 | 3.54 | 14.8 | 6.69 | 5.39 | 4.72 | 27.4   |
|            | 9792663629           | 2663629                              | 10" x 10" x 3 1/2" — 250 x 250 x 110 mm | 9.84 | 4.33 | 14.8 | 6.85 | 5.39 | 5.79 | 28.1   |
|            | 9792663631           | 2663631                              | 10" x 10" x 4" — 250 x 250 x 125 mm     | 9.84 | 4.92 | 14.8 | 7.09 | 5.51 | 6.57 | 28.7   |
|            | 9792063651           | 2063651                              | 12" x 12" x 4" — 315 x 315 x 125 mm     | 12.4 | 4.92 | 18.1 | 8.39 | 6.81 | 6.57 | 55.1   |
|            | 9792063653           | 2063653 <sup>a</sup>                 | 12" x 12" x 6" — 315 x 315 x 160 mm     | 12.4 | -    | 18.1 | 9.37 | -    | 6.30 | 55.2   |
|            | 9792063663           | 2063663                              | 14" x 14" x 4" — 355 x 355 x 125 mm     | 14.0 | 4.92 | 18.9 | 9.17 | 7.60 | 6.57 | 71.7   |
|            | 9792063665           | 2063665 <sup>a</sup>                 | 14" x 14" x 6" — 355 x 355 x 160 mm     | 14.0 | -    | 18.9 | 10.2 | -    | 6.30 | 71.7   |
|            | 9792063667           | 2063667 <sup>a</sup>                 | 14" x 14" x 8" — 355 x 355 x 200 mm     | 14.0 | -    | 18.9 | 10.5 | -    | 7.87 | 66.6   |
|            | 9792063676           | 2063676                              | 16" x 16" x 4" — 400 x 400 x 125 mm     | 15.8 | 4.92 | 19.7 | 10.0 | 8.46 | 6.57 | 92.8   |
|            | 9792063678           | 2063678 <sup>a</sup>                 | 16" x 16" x 6" — 400 x 400 x 160 mm     | 15.8 | -    | 19.7 | 10.1 | -    | 6.30 | 97.2   |
|            | 9792063680           | 2063680 <sup>a</sup>                 | 16" x 16" x 8" — 400 x 400 x 200 mm     | 15.8 | -    | 19.7 | 11.0 | -    | 7.87 | 97.2   |
|            | 9792063682           | 2063682 <sup>a</sup>                 | 16" x 16" x 10" — 400 x 400 x 250 mm    | 15.8 | -    | 19.7 | 11.0 | -    | 9.84 | 101    |
|            | 9792063690           | 2063690                              | 18" x 18" x 4" — 450 x 450 x 125 mm     | 17.7 | 4.92 | 20.7 | 11.0 | 9.45 | 6.57 | 123    |
| 9792063692 | 2063692 <sup>a</sup> | 18" x 18" x 6" — 450 x 450 x 160 mm  | 17.7                                    | -    | 20.7 | 12.0 | -    | 6.30 | 128  |        |
| 9792063694 | 2063694 <sup>a</sup> | 18" x 18" x 8" — 450 x 450 x 200 mm  | 17.7                                    | -    | 20.7 | 12.0 | -    | 7.87 | 128  |        |
| 9792063696 | 2063696 <sup>a</sup> | 18" x 18" x 10" — 450 x 450 x 250 mm | 17.7                                    | -    | 20.7 | 12.0 | -    | 9.84 | 128  |        |
| 9792063698 | 2063698 <sup>a</sup> | 18" x 18" x 12" — 450 x 450 x 315 mm | 17.7                                    | -    | 20.7 | 12.4 | -    | 12.4 | 129  |        |
| 9          | 9790813600           | 0813600                              | 6" x 6" x 2 1/2" — 160 x 160 x 75 mm    | 6.30 | 2.95 | 9.06 | 4.80 | 3.62 | 3.94 | 8.69   |
|            | 9790813602           | 0813602                              | 6" x 6" x 3" — 160 x 160 x 90 mm        | 6.30 | 3.54 | 9.06 | 4.92 | 3.62 | 4.27 | 8.96   |
|            | 9790813608           | 0813608                              | 8" x 8" x 2 1/2" — 200 x 200 x 75 mm    | 7.87 | 2.95 | 11.8 | 5.59 | 4.41 | 3.94 | 17.1   |
|            | 9790813610           | 0813610                              | 8" x 8" x 3" — 200 x 200 x 90 mm        | 7.87 | 3.54 | 11.8 | 5.71 | 4.41 | 4.27 | 17.4   |
|            | 9790813612           | 0813612                              | 8" x 8" x 3 1/2" — 200 x 200 x 110 mm   | 7.87 | 4.33 | 11.8 | 5.87 | 4.41 | 5.79 | 18.0   |
|            | 9790813614           | 0813614                              | 8" x 8" x 4" — 200 x 200 x 125 mm       | 7.87 | 4.92 | 11.8 | 6.10 | 4.53 | 6.57 | 18.0   |
|            | 9790813624           | 0813624                              | 10" x 10" x 2 1/2" — 250 x 250 x 75 mm  | 9.84 | 2.95 | 14.8 | 6.57 | 5.39 | 3.94 | 32.9   |
|            | 9790813626           | 0813626                              | 10" x 10" x 3" — 250 x 250 x 90 mm      | 9.84 | 3.54 | 14.8 | 6.69 | 5.39 | 4.27 | 33.2   |
|            | 9790813628           | 0813628                              | 10" x 10" x 3 1/2" — 250 x 250 x 110 mm | 9.84 | 4.33 | 14.8 | 6.85 | 5.39 | 5.79 | 33.8   |
|            | 9790813630           | 0813630                              | 10" x 10" x 4" — 250 x 250 x 125 mm     | 9.84 | 4.92 | 14.8 | 7.09 | 5.51 | 6.57 | 34.2   |
|            | 9790813904           | 0813904                              | 12" x 12" x 4" — 315 x 315 x 125 mm     | 12.4 | 4.92 | 18.1 | 8.39 | 6.81 | 6.57 | 63.4   |
|            | 9790813906           | 0813906 <sup>a</sup>                 | 12" x 12" x 6" — 315 x 315 x 160 mm     | 12.4 | -    | 18.1 | 9.37 | -    | 6.30 | 65.0   |
|            | 9790813916           | 0813916                              | 14" x 14" x 4" — 355 x 355 x 125 mm     | 14.0 | 4.92 | 18.9 | 9.17 | 7.60 | 6.57 | 85.3   |
|            | 9790813918           | 0813918 <sup>a</sup>                 | 14" x 14" x 6" — 355 x 355 x 160 mm     | 14.0 | -    | 18.9 | 10.2 | -    | 6.30 | 85.4   |
|            | 9790813920           | 0813920 <sup>a</sup>                 | 14" x 14" x 8" — 355 x 355 x 200 mm     | 14.0 | -    | 18.9 | 10.5 | -    | 7.87 | 85.5   |

<sup>a</sup>Branch outlet has a butt-fusion connection.



aquatherm green pipe® REDUCING TEE (OUTLET) (inlet, outlet, branch)



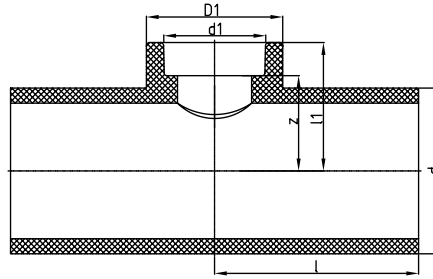
| SDR                 | New Part no.          | Old Part no.                         | Dimension<br>(ND — OD)                  | d    | d1   | l    | l1   | z    | D1   | Weight |
|---------------------|-----------------------|--------------------------------------|-----------------------------------------|------|------|------|------|------|------|--------|
|                     |                       |                                      |                                         | [in] | [in] | [in] | [in] | [in] | [in] | [in]   |
| 11<br>Non-<br>Faser | 9790113601            | 0113601                              | 6" x 6" x 2 1/2" — 160 x 160 x 75 mm    | 6.30 | 2.95 | 9.06 | 4.80 | 3.62 | 3.94 | 6.92   |
|                     | 9790113603            | 0113603                              | 6" x 6" x 3" — 160 x 160 x 90 mm        | 6.30 | 3.54 | 9.06 | 4.92 | 3.62 | 4.27 | 7.00   |
|                     | 9790113609            | 0113609                              | 8" x 8" x 2 1/2" — 200 x 200 x 75 mm    | 7.87 | 2.95 | 11.8 | 5.59 | 4.41 | 3.94 | 11.7   |
|                     | 9790113611            | 0113611                              | 8" x 8" x 3" — 200 x 200 x 90 mm        | 7.87 | 3.54 | 11.8 | 5.71 | 4.41 | 4.27 | 11.4   |
|                     | 9790113613            | 0113613                              | 8" x 8" x 3 1/2" — 200 x 200 x 110 mm   | 7.87 | 4.33 | 11.8 | 5.87 | 4.41 | 5.79 | 12.5   |
|                     | 9790113615            | 0113615                              | 8" x 8" x 4" — 200 x 200 x 125 mm       | 7.87 | 4.92 | 11.8 | 6.10 | 4.53 | 6.57 | 12.8   |
|                     | 9790113625            | 0113625                              | 10" x 10" x 2 1/2" — 250 x 250 x 75 mm  | 9.84 | 2.95 | 14.8 | 6.57 | 5.39 | 3.94 | 26.5   |
|                     | 9790113627            | 0113627                              | 10" x 10" x 3" — 250 x 250 x 90 mm      | 9.84 | 3.54 | 14.8 | 6.69 | 5.39 | 4.27 | 26.5   |
|                     | 9790113629            | 0113629                              | 10" x 10" x 3 1/2" — 250 x 250 x 110 mm | 9.84 | 4.33 | 14.8 | 6.85 | 5.39 | 5.79 | 28.7   |
|                     | 9790113631            | 0113631                              | 10" x 10" x 4" — 250 x 250 x 125 mm     | 9.84 | 4.92 | 14.8 | 7.09 | 5.51 | 6.57 | 26.5   |
|                     | 9790113651            | 0113651                              | 12" x 12" x 4" — 315 x 315 x 125 mm     | 12.4 | 4.92 | 18.1 | 8.39 | 6.81 | 6.57 | 55.5   |
|                     | 9790113653            | 0113653 <sup>a</sup>                 | 12" x 12" x 6" — 315 x 315 x 160 mm     | 12.4 | -    | 18.1 | 9.37 | -    | 6.30 | 54.8   |
|                     | 9790113663            | 0113663                              | 14" x 14" x 4" — 355 x 355 x 125 mm     | 14.0 | 4.92 | 18.9 | 9.17 | 7.60 | 6.57 | 68.0   |
|                     | 9790113665            | 0113665 <sup>ab</sup>                | 14" x 14" x 6" — 355 x 355 x 160 mm     | 14.0 | -    | 18.9 | 10.2 | -    | 6.30 | 68.1   |
|                     | 9790113667            | 0113667 <sup>a</sup>                 | 14" x 14" x 8" — 355 x 355 x 200 mm     | 14.0 | -    | 18.9 | 10.5 | -    | 7.87 | 69.8   |
|                     | 9790113676            | 0113676 <sup>b</sup>                 | 16" x 16" x 4" — 400 x 400 x 125 mm     | 15.8 | 4.92 | 19.7 | 10.0 | 8.46 | 6.57 | 93.0   |
|                     | 9790113678            | 0113678 <sup>ab</sup>                | 16" x 16" x 6" — 400 x 400 x 160 mm     | 15.8 | -    | 19.7 | 11.0 | -    | 6.30 | 97.3   |
|                     | 9790113680            | 0113680 <sup>ab</sup>                | 16" x 16" x 8" — 400 x 400 x 200 mm     | 15.8 | -    | 19.7 | 11.0 | -    | 7.87 | 97.3   |
|                     | 9790113682            | 0113682 <sup>ab</sup>                | 16" x 16" x 10" — 400 x 400 x 250 mm    | 15.8 | -    | 19.7 | 11.0 | -    | 9.84 | 97.3   |
|                     | 9790113690            | 0113690                              | 18" x 18" x 4" — 450 x 450 x 125 mm     | 17.7 | 4.92 | 20.7 | 11.0 | 9.45 | 6.57 | 123    |
| 9790113692          | 0113692 <sup>ab</sup> | 18" x 18" x 6" — 450 x 450 x 160 mm  | 17.7                                    | -    | 20.7 | 12.0 | -    | 6.30 | 128  |        |
| 9790113694          | 0113694 <sup>ab</sup> | 18" x 18" x 8" — 450 x 450 x 200 mm  | 17.7                                    | -    | 20.7 | 12.0 | -    | 7.87 | 128  |        |
| 9790113696          | 0113696 <sup>ab</sup> | 18" x 18" x 10" — 450 x 450 x 250 mm | 17.7                                    | -    | 20.7 | 12.0 | -    | 9.84 | 128  |        |
| 9790113698          | 0113698 <sup>ab</sup> | 18" x 18" x 12" — 450 x 450 x 315 mm | 17.7                                    | -    | 20.7 | 12.4 | -    | 12.4 | 130  |        |

<sup>a</sup>Branch outlet has a butt-fusion connection.

<sup>b</sup>Mechanically stabilized with multi-layer, faser-composite (MF) technology in the center of the pipe.

# PRODUCT RANGE - REDUCING TEE(S)

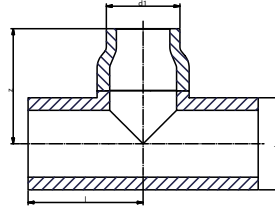
**aquatherm green pipe® REDUCING TEE (OUTLET)** (inlet, outlet, branch)



| SDR          | New Part no. | Old Part no. | Dimension<br>(ND — OD)                  | d    | d1   | l    | l1   | z    | D1   | Weight |
|--------------|--------------|--------------|-----------------------------------------|------|------|------|------|------|------|--------|
|              |              |              |                                         | [in] | [in] | [in] | [in] | [in] | [in] | [in]   |
| 7.4<br>Faser | 9790113600   | 0113600      | 6" x 6" x 2 1/2" — 160 x 160 x 75 mm    | 6.30 | 2.95 | 9.06 | 4.80 | 3.62 | 3.94 | 9.73   |
|              | 9790113602   | 0113602      | 6" x 6" x 3" — 160 x 160 x 90 mm        | 6.30 | 3.54 | 9.06 | 4.92 | 3.62 | 4.27 | 9.95   |
|              | 9790113608   | 0113608      | 8" x 8" x 2 1/2" — 200 x 200 x 75 mm    | 7.87 | 2.95 | 11.8 | 5.59 | 4.41 | 3.94 | 15.7   |
|              | 9790113610   | 0113610      | 8" x 8" x 3" — 200 x 200 x 90 mm        | 7.87 | 3.54 | 11.8 | 5.71 | 4.41 | 4.27 | 16.6   |
|              | 9790113612   | 0113612      | 8" x 8" x 3 1/2" — 200 x 200 x 110 mm   | 7.87 | 4.33 | 11.8 | 5.87 | 4.41 | 5.79 | 16.2   |
|              | 9790113614   | 0113614      | 8" x 8" x 4" — 200 x 200 x 125 mm       | 7.87 | 4.92 | 11.8 | 6.10 | 4.53 | 6.57 | 16.9   |
|              | 9790113624   | 0113624      | 10" x 10" x 2 1/2" — 250 x 250 x 75 mm  | 9.84 | 2.95 | 14.8 | 6.57 | 5.39 | 3.94 | 36.6   |
|              | 9790113626   | 0113626      | 10" x 10" x 3" — 250 x 250 x 90 mm      | 9.84 | 3.54 | 14.8 | 6.69 | 5.39 | 4.27 | 37.0   |
|              | 9790113628   | 0113628      | 10" x 10" x 3 1/2" — 250 x 250 x 110 mm | 9.84 | 4.33 | 14.8 | 6.85 | 5.39 | 5.79 | 37.0   |
|              | 9790113630   | 0113630      | 10" x 10" x 4" — 250 x 250 x 125 mm     | 9.84 | 4.92 | 14.8 | 7.09 | 5.51 | 6.57 | 37.5   |

# PRODUCT RANGE - REDUCING TEES(s)

aquatherm blue pipe® REDUCING TEE (REDUCER) (inlet, outlet, branch)

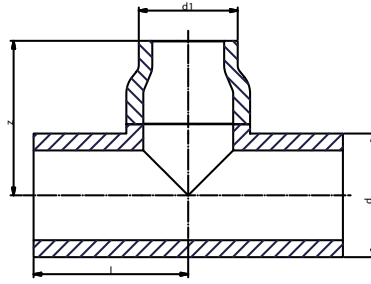


| SDR  | New Part no. | Old Part no. | Dimension<br>(ND — OD)               | d    | d1   | l    | z                | Weight |
|------|--------------|--------------|--------------------------------------|------|------|------|------------------|--------|
|      |              |              |                                      | [in] | [in] | [in] | [in, +0.25/-0.0] | [lb]   |
| 17.6 | 9792563655   | 2563655      | 12" x 12" x 8" — 315 x 315 x 200 mm  | 12.4 | 7.87 | 18.1 | 18.1             | 48.0   |
|      | 9792563657   | 2563657      | 12" x 12" x 10" — 315 x 315 x 250 mm | 12.4 | 9.84 | 18.1 | 18.1             | 44.5   |
|      | 9792563669   | 2563669      | 14" x 14" x 10" — 355 x 355 x 250 mm | 14.0 | 9.84 | 18.9 | 18.9             | 54.6   |
|      | 9792563671   | 2563671      | 14" x 14" x 12" — 355 x 355 x 315 mm | 14.0 | 12.4 | 18.9 | 18.9             | 58.6   |
|      | 9792563684   | 2563684      | 16" x 16" x 12" — 400 x 400 x 315 mm | 15.8 | 12.4 | 19.7 | 19.7             | 69.3   |
|      | 9792563685   | 2563685      | 16" x 16" x 14" — 400 x 400 x 355 mm | 15.8 | 14.0 | 19.7 | 19.7             | 68.6   |
|      | 9792563699   | 2563699      | 18" x 18" x 14" — 450 x 450 x 355 mm | 17.7 | 14.0 | 20.7 | 20.7             | 94.6   |
|      | 9792563700   | 2563700      | 18" x 18" x 16" — 450 x 450 x 400 mm | 17.7 | 15.8 | 20.7 | 20.7             | 93.8   |
|      | 9792563813   | 2563813      | 20" x 20" x 14" — 500 x 500 x 355 mm | 19.7 | 14.0 | 23.6 | 23.6             | 137    |
|      | 9792563814   | 2563814      | 20" x 20" x 16" — 500 x 500 x 400 mm | 19.7 | 15.8 | 23.6 | 23.6             | 137    |
|      | 9792563815   | 2563815      | 20" x 20" x 18" — 500 x 500 x 450 mm | 19.7 | 17.7 | 23.6 | 23.6             | 135    |
|      | 9792563849   | 2563849      | 24" x 24" x 16" — 630 x 630 x 400 mm | 24.8 | 15.8 | 26.2 | 26.2             | 246    |
|      | 9792563850   | 2563850      | 24" x 24" x 18" — 630 x 630 x 450 mm | 24.8 | 17.7 | 26.2 | 26.2             | 247    |
|      | 9792563851   | 2563851      | 24" x 24" x 20" — 630 x 630 x 500 mm | 24.8 | 19.7 | 26.2 | 26.2             | 242    |
| 11   | 9792063655   | 2063655      | 12" x 12" x 8" — 315 x 315 x 200 mm  | 12.4 | 7.87 | 18.1 | 18.1             | 66.3   |
|      | 9792063657   | 2063657      | 12" x 12" x 10" — 315 x 315 x 250 mm | 12.4 | 9.84 | 18.1 | 18.1             | 66.7   |
|      | 9792063669   | 2063669      | 14" x 14" x 10" — 355 x 355 x 250 mm | 14.0 | 9.84 | 18.9 | 18.9             | 83.9   |
|      | 9792063671   | 2063671      | 14" x 14" x 12" — 355 x 355 x 315 mm | 14.0 | 12.4 | 18.9 | 18.9             | 90.3   |
|      | 9792063684   | 2063684      | 16" x 16" x 12" — 400 x 400 x 315 mm | 15.8 | 12.4 | 19.7 | 19.7             | 108    |
|      | 9792063685   | 2063685      | 16" x 16" x 14" — 400 x 400 x 355 mm | 15.8 | 14.0 | 19.7 | 19.7             | 107    |
|      | 9792063699   | 2063699      | 18" x 18" x 14" — 450 x 450 x 355 mm | 17.7 | 14.0 | 20.7 | 20.7             | 146    |
|      | 9792063700   | 2063700      | 18" x 18" x 16" — 450 x 450 x 400 mm | 17.7 | 15.8 | 20.7 | 20.7             | 146    |
| 9    | 9790813908   | 0813908      | 12" x 12" x 8" — 315 x 315 x 200 mm  | 12.4 | 7.87 | 18.1 | 18.1             | 93.1   |
|      | 9790813910   | 0813910      | 12" x 12" x 10" — 315 x 315 x 250 mm | 12.4 | 9.84 | 18.1 | 18.1             | 94.6   |
|      | 9790813922   | 0813922      | 14" x 14" x 10" — 355 x 355 x 250 mm | 14.0 | 9.84 | 18.9 | 18.9             | 122.8  |
|      | 9790813924   | 0813924      | 14" x 14" x 12" — 355 x 355 x 315 mm | 14.0 | 12.4 | 18.9 | 18.9             | 122.2  |

<sup>a</sup>4" branch is socket fusion. If needed, branch can come with a 1 ft extension to be used for butt-fusion.

# PRODUCT RANGE - REDUCING TEE(S)

## aquatherm green pipe® REDUCING TEE (REDUCER) (inlet, outlet, branch)

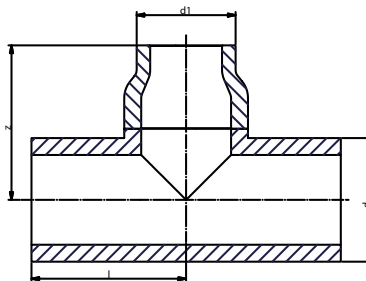


| SDR                 | New Part no. | Old Part no.         | Dimension<br>(ND — OD)               | d    | d1   | l    | z                | Weight |
|---------------------|--------------|----------------------|--------------------------------------|------|------|------|------------------|--------|
|                     |              |                      |                                      | [in] | [in] | [in] | [in, +0.25/-0.0] | [lb]   |
| 11<br>Non-<br>Faser | 9790113655   | 0113655              | 12" x 12" x 8" — 315 x 315 x 200 mm  | 12.4 | 7.87 | 18.1 | 18.1             | 66.3   |
|                     | 9790113657   | 0113657              | 12" x 12" x 10" — 315 x 315 x 250 mm | 12.4 | 9.84 | 18.1 | 18.1             | 66.7   |
|                     | 9790113669   | 0113669              | 14" x 14" x 10" — 355 x 355 x 250 mm | 14.0 | 9.84 | 18.9 | 18.9             | 79.9   |
|                     | 9790113671   | 0113671              | 14" x 14" x 12" — 355 x 355 x 315 mm | 14.0 | 12.4 | 18.9 | 18.9             | 85.9   |
|                     | 9790113684   | 0113684 <sup>b</sup> | 16" x 16" x 12" — 400 x 400 x 315 mm | 15.8 | 12.4 | 19.7 | 19.7             | 108    |
|                     | 9790113685   | 0113685 <sup>b</sup> | 16" x 16" x 14" — 400 x 400 x 355 mm | 15.8 | 14.0 | 19.7 | 19.7             | 107    |
|                     | 9790113699   | 0113699 <sup>b</sup> | 18" x 18" x 14" — 450 x 450 x 355 mm | 17.7 | 14.0 | 20.7 | 20.7             | 146    |
|                     | 9790113700   | 0113700 <sup>b</sup> | 18" x 18" x 16" — 450 x 450 x 400 mm | 17.7 | 15.8 | 20.7 | 20.7             | 146    |

<sup>a</sup> 4" branch is socket fusion. If needed, branch can come with 1 ft extension to be used for butt-fusion.

<sup>b</sup> Mechanically stabilized with multi-layer, fiber-composite (MF) technology in the center of the pipe.

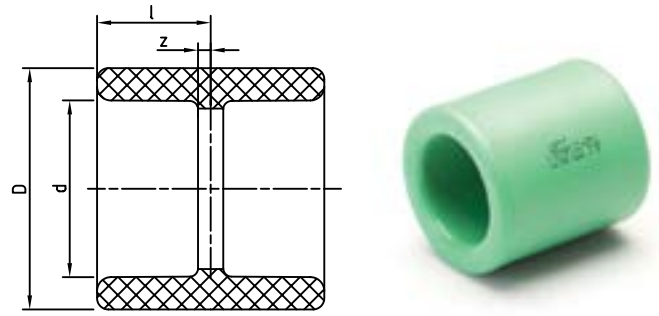
## aquatherm green pipe® REDUCING TEE (REDUCER) (inlet, outlet, branch)



| SDR          | New Part no. | Old Part no. | Dimension<br>(ND — OD)              | d    | d1   | l    | z                | Weight |
|--------------|--------------|--------------|-------------------------------------|------|------|------|------------------|--------|
|              |              |              |                                     | [in] | [in] | [in] | [in, +0.25/-0.0] | [lb]   |
| 7.4<br>Faser | 9790113619   | 0113618      | 8" x 8" x 6" — 200 x 200 x 160 mm   | 7.87 | 6.30 | 11.8 | 11.8             | 25.5   |
|              | 9790113634   | 0113634      | 10" x 10" x 6" — 250 x 250 x 160 mm | 9.84 | 6.30 | 14.8 | 14.8             | 49.4   |
|              | 9790113640   | 0113640      | 10" x 10" x 8" — 250 x 250 x 200 mm | 9.84 | 7.87 | 14.8 | 14.8             | 50.4   |

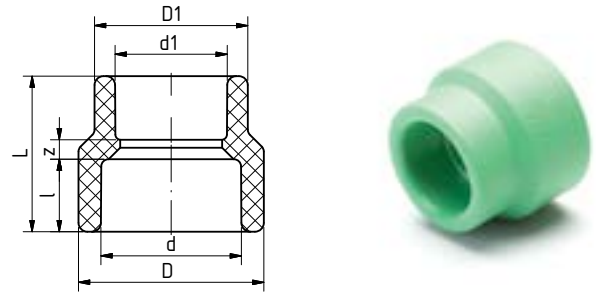
<sup>a</sup> 4" branch is socket fusion. If needed, branch can come with 1 ft extension to be used for butt-fusion.

**aquatherm COUPLING**



| New Part no. | Old Part no. | Dimension<br>(ND — OD) | d    | l    | z    | D    | Weight |
|--------------|--------------|------------------------|------|------|------|------|--------|
|              |              |                        | [in] | [in] | [in] | [in] | [lb]   |
| 1040020911   | 0111008      | ½" — 20 mm             | 0.79 | 0.63 | 0.06 | 1.16 | 0.02   |
| 1040025912   | 0111010      | ¾" — 25 mm             | 0.98 | 0.69 | 0.06 | 1.34 | 0.03   |
| 1040032913   | 0111012      | 1" — 32 mm             | 1.26 | 0.80 | 0.09 | 1.69 | 0.06   |
| 1040040914   | 0111014      | 1¼" — 40 mm            | 1.57 | 0.94 | 0.13 | 2.05 | 0.10   |
| 1040050915   | 0111016      | 1½" — 50 mm            | 1.97 | 1.04 | 0.12 | 2.68 | 0.19   |
| 1040063916   | 0111018      | 2" — 63 mm             | 2.48 | 1.19 | 0.11 | 3.31 | 0.31   |
| 1040075917   | 0111020      | 2½" — 75 mm            | 2.95 | 1.31 | 0.13 | 3.94 | 0.50   |
| 1040090918   | 0111022      | 3" — 90 mm             | 3.54 | 1.43 | 0.13 | 4.72 | 0.76   |
| 1040110919   | 0111024      | 3½" — 110 mm           | 4.33 | 1.61 | 0.16 | 5.79 | 1.28   |
| 1040125920   | 0111026      | 4" — 125 mm            | 4.92 | 1.77 | 0.20 | 6.57 | 1.86   |

**aquatherm REDUCING COUPLING** female/female

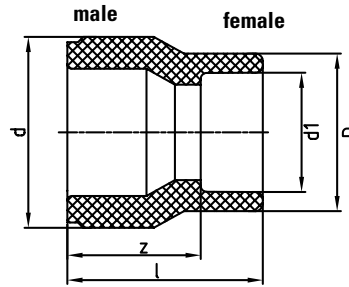


| New Part no. | Old Part no. | Dimension<br>(ND — OD)      | d    | d1   | L    | l    | z    | D    | D1   | Weight |
|--------------|--------------|-----------------------------|------|------|------|------|------|------|------|--------|
|              |              |                             | [in] | [in] | [in] | [in] | [in] | [in] | [in] | [in]   |
| 1040040967   | 0111222      | 1 ¼" to 1" — 40 to 32 mm    | 1.57 | 1.26 | 1.73 | 0.94 | 0.14 | 2.05 | 1.69 | 0.08   |
| 1040050968   | 0111228      | 1 ½" to 1" — 50 to 32 mm    | 1.97 | 1.26 | 1.85 | 1.04 | 0.12 | 2.68 | 1.69 | 0.14   |
| 1040050969   | 0111230      | 1 ½" to 1 ¼" — 50 to 40 mm  | 1.97 | 1.57 | 1.99 | 1.04 | 0.12 | 2.68 | 2.05 | 0.15   |
| 1040063970   | 0111236      | 2" to 1 ¼" — 63 to 40 mm    | 2.48 | 1.57 | 2.13 | 1.20 | 0.12 | 3.31 | 2.05 | 0.25   |
| 1040063971   | 0111238      | 2" to 1 ½" — 63 to 50 mm    | 2.48 | 1.97 | 2.20 | 1.18 | 0.10 | 3.31 | 2.68 | 0.27   |
| 1040075972   | 0111240      | 2 ½" to 1 ½" — 75 to 50 mm  | 2.95 | 1.97 | 2.68 | 1.32 | 0.57 | 3.94 | 2.68 | 0.39   |
| 1040075973   | 0111242      | 2 ½" to 2" — 75 to 63 mm    | 2.95 | 2.48 | 2.46 | 1.28 | 0.10 | 3.94 | 3.31 | 0.41   |
| 1040090974   | 0111252      | 3" to 2" — 90 to 63 mm      | 3.54 | 2.48 | 2.62 | 1.44 | 0.14 | 4.72 | 3.31 | 0.61   |
| 1040090975   | 0111253      | 3" to 2 ½" — 90 to 75 mm    | 3.54 | 2.95 | 2.72 | 1.42 | 0.12 | 4.72 | 3.94 | 0.65   |
| 1040110976   | 0111257      | 3 ½" to 2 ½" — 110 to 75 mm | 4.33 | 2.95 | 2.93 | 1.61 | 0.16 | 5.79 | 3.94 | 1.14   |
| 1040110977   | 0111259      | 3 ½" to 3" — 110 to 90 mm   | 4.33 | 3.54 | 3.05 | 1.61 | 0.16 | 5.79 | 4.72 | 1.15   |
| 1040125978   | 0111263      | 4" to 3" — 125 to 90 mm     | 4.92 | 3.54 | 3.27 | 1.81 | 0.24 | 6.57 | 4.72 | 1.65   |
| 1040125979   | 0111265      | 4" to 3 ½" — 125 to 110 mm  | 4.92 | 4.33 | 3.43 | 1.81 | 0.24 | 6.57 | 5.79 | 1.60   |

# PRODUCT RANGE - BUSHING

## aquatherm BUSHING

Female to male for use with standard fitting. Female side is identified by a socket-fitting structure, male side is identified with a beveled edge. Appearance of bushing will vary by dimension.

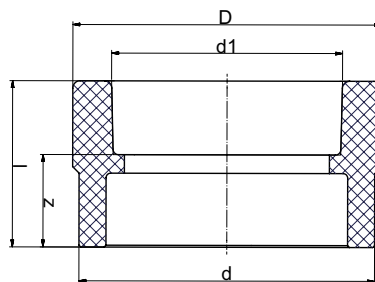


| New Part no. | Old Part no. | Dimension<br>(ND — OD) (M-F) | d    | d1   | l    | z    | D    | Weight |
|--------------|--------------|------------------------------|------|------|------|------|------|--------|
|              |              |                              | [in] | [in] | [in] | [in] | [in] | [lb]   |
| 1040025923   | 0111112      | ¾ to ½" — 25 to 20 mm        | 1.16 | 0.79 | 1.52 | 0.94 | 0.98 | 0.03   |
| 1040032924   | 0111114      | 1" to ½" — 32 to 20 mm       | 1.26 | 0.79 | 1.48 | 0.91 | 1.16 | 0.03   |
| 1040032925   | 0111116      | 1" to ¾" — 32 to 25 mm       | 1.34 | 0.98 | 1.50 | 0.87 | 1.26 | 0.03   |
| 1040040926   | 0111118      | 1 ¼" to ½" — 40 to 20 mm     | 1.57 | 0.79 | 1.77 | 1.20 | 1.16 | 0.05   |
| 1040040927   | 0111120      | 1 ¼" to ¾" — 40 to 25 mm     | 1.57 | 0.98 | 1.97 | 1.34 | 1.34 | 0.06   |
| 1040040928   | 0111122      | 1 ¼" to 1" — 40 to 32 mm     | 1.69 | 1.26 | 1.97 | 1.26 | 1.57 | 0.07   |
| 1040050929   | 0111124      | 1 ½" to ½" — 50 to 20 mm     | 1.97 | 0.79 | 2.17 | 1.59 | 1.16 | 0.10   |
| 1040050930   | 0111126      | 1 ½" to ¾" — 50 to 25 mm     | 1.97 | 0.98 | 2.17 | 1.54 | 1.34 | 0.10   |
| 1040050931   | 0111128      | 1 ½" to 1" — 50 to 32 mm     | 1.97 | 1.26 | 2.13 | 1.42 | 1.69 | 0.11   |
| 1040050932   | 0111130      | 1 ½" to 1 ¼" — 50 to 40 mm   | 2.05 | 1.57 | 2.07 | 1.26 | 1.97 | 0.12   |
| 1040063933   | 0111131      | 2" to ½" — 63 to 20 mm       | 2.48 | 0.79 | 2.56 | 1.99 | 1.16 | 0.16   |
| 1040063934   | 0111132      | 2" to ¾" — 63 to 25 mm       | 2.48 | 0.98 | 2.56 | 1.93 | 1.34 | 0.16   |
| 1040063935   | 0111134      | 2" to 1" — 63 to 32 mm       | 2.48 | 1.26 | 2.44 | 1.73 | 1.69 | 0.18   |
| 1040063936   | 0111136      | 2" to 1 ¼" — 63 to 40 mm     | 2.48 | 1.57 | 2.56 | 1.75 | 2.05 | 0.23   |
| 1040063937   | 0111138      | 2" to 1 ½" — 63 to 50 mm     | 2.68 | 1.97 | 2.50 | 1.57 | 2.48 | 0.25   |
| 1040075941   | 0111143      | 2 ½" to ½" — 75 to 20 mm     | 2.95 | 0.79 | 2.58 | 2.01 | 1.36 | 0.24   |
| 1040075942   | 0111144      | 2 ½" to ¾" — 75 to 25 mm     | 2.95 | 0.98 | 2.58 | 1.95 | 1.36 | 0.24   |
| 1040075943   | 0111145      | 2 ½" to 1" — 75 to 32 mm     | 2.95 | 1.26 | 2.74 | 2.03 | 2.05 | 0.31   |
| 1040075938   | 0111139      | 2 ½" to 1 ¼" — 75 to 40 mm   | 2.95 | 1.57 | 2.74 | 1.93 | 2.05 | 0.29   |
| 1040075939   | 0111140      | 2 ½" to 1 ½" — 75 to 50 mm   | 2.95 | 1.97 | 2.48 | 1.56 | 2.68 | 0.31   |
| 1040075940   | 0111142      | 2 ½" to 2" — 75 to 63 mm     | 3.31 | 2.48 | 2.80 | 1.71 | 2.95 | 0.38   |
| 1040090944   | 0111151      | 3" to 1 ½" — 90 to 50 mm     | 3.54 | 1.97 | 2.95 | 2.03 | 2.68 | 0.43   |
| 1040090945   | 0111152      | 3" to 2" — 90 to 63 mm       | 3.54 | 2.48 | 3.07 | 1.99 | 3.31 | 0.49   |
| 1040090946   | 0111153      | 3" to 2 ½" — 90 to 75 mm     | 3.94 | 2.95 | 3.21 | 2.03 | 3.54 | 0.60   |
| 1040110947   | 0111155      | 3 ½" to 2" — 110 to 63 mm    | 4.33 | 2.48 | 3.39 | 2.30 | 3.31 | 0.79   |
| 1040110948   | 0111157      | 3 ½" to 2 ½" — 110 to 75 mm  | 4.33 | 2.95 | 3.50 | 2.32 | 3.94 | 0.84   |
| 1040110949   | 0111159      | 3 ½" to 3" — 110 to 90 mm    | 4.72 | 3.54 | 3.90 | 2.60 | 4.33 | 1.10   |
| 1040125950   | 0111161      | 4" to 2 ½" — 125 to 75 mm    | 4.92 | 2.95 | 3.98 | 2.80 | 3.94 | 1.14   |
| 1040125951   | 0111163      | 4" to 3" — 125 to 90 mm      | 4.92 | 3.54 | 3.90 | 2.60 | 4.72 | 1.30   |
| 1040125952   | 0111165      | 4" to 3 ½" — 125 to 110 mm   | 5.79 | 4.33 | 4.41 | 2.95 | 4.92 | 1.83   |

**aquatherm REDUCING COUPLING**

Socket-fused on one side, butt-fused on the other. These fittings can be used with either the **aquatherm green pipe**® or **aquatherm blue pipe**® systems, but are all molded from the green **fusiolen**® material. The SDR of the fittings must match the SDR of the pipe. The length of some fittings may not accommodate all butt-fusion equipment.

**NOTE: Verify the equipment to be used is compatible with the fittings when ordering.**



| SDR  | New Part no. | Old Part no. | Dimension<br>(ND — OD)       | d    | d1   | l    | z    | D    | Weight |
|------|--------------|--------------|------------------------------|------|------|------|------|------|--------|
|      |              |              |                              | [in] | [in] | [in] | [in] | [in] | [lb]   |
| 17.6 | 2047160001   | 2511174      | 6" to 3 1/2" — 160 to 110 mm | 6.30 | 4.33 | 3.54 | 2.09 | 5.79 | 1.36   |
|      | 2047160002   | 2511176      | 6" to 4" — 160 to 125 mm     | 6.30 | 4.92 | 3.54 | 1.97 | 6.57 | 1.39   |
|      | 2047200003   | 2511182      | 8" to 4" — 200 to 125 mm     | 7.87 | 4.92 | 5.31 | 3.74 | 6.57 | 2.33   |
| 11   | 1044160954   | 0111175      | 6" to 3 1/2" — 160 to 110 mm | 6.30 | 4.33 | 3.54 | 2.09 | 5.79 | 1.44   |
|      | 1044160956   | 0111177      | 6" to 4" — 160 to 125 mm     | 6.30 | 4.92 | 3.54 | 1.97 | 6.57 | 1.40   |
|      | 1044200958   | 0111183      | 8" to 4" — 200 to 125 mm     | 7.87 | 4.92 | 5.31 | 3.74 | 6.57 | 2.96   |
| 9    | 1043160122   | 0311174      | 6" to 3 1/2" — 160 to 110 mm | 6.30 | 4.33 | 3.43 | 1.97 | 5.79 | 1.61   |
|      | 1043160123   | 0311176      | 6" to 4" — 160 to 125 mm     | 6.30 | 4.84 | 3.54 | 1.97 | 6.57 | 1.91   |
|      | 1043200124   | 0311182      | 8" to 4" — 200 to 125 mm     | 7.87 | 4.84 | 5.31 | 3.74 | 6.57 | 3.53   |
| 7.4  | 1042160953   | 0111174      | 6" to 3 1/2" — 160 to 110 mm | 6.30 | 4.33 | 3.43 | 1.97 | 5.79 | 1.61   |
|      | 1042160955   | 0111176      | 6" to 4" — 160 to 125 mm     | 6.30 | 4.92 | 3.54 | 1.97 | 6.57 | 1.85   |
|      | 1042200957   | 0111182      | 8" to 4" — 200 to 125 mm     | 7.87 | 4.92 | 5.31 | 3.74 | 6.57 | 3.62   |

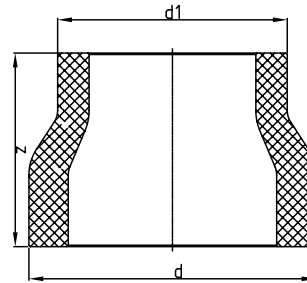


# PRODUCT RANGE - BUTT-FUSION REDUCER

## aquatherm BUTT-FUSION REDUCER

The butt fusion reducer can be used with either the **aquatherm green pipe**® or **aquatherm blue pipe**® systems, but are all molded from the green **fusiolen**® material. The SDR of the fittings must match the SDR of the pipe.

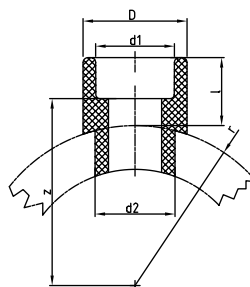
**NOTE: The length of some fittings may not accommodate all butt-fusion equipment. Verify the equipment to be used is compatible with the fittings when ordering.**



| SDR        | New Part no. | Old Part no.               | Dimension<br>(ND — OD)     | d    | d1   | z    | Weight |
|------------|--------------|----------------------------|----------------------------|------|------|------|--------|
|            |              |                            |                            | [in] | [in] | [in] | [lb]   |
| 17.6       | 2047200004   | 2511184                    | 8" to 6" — 200 to 160 mm   | 7.87 | 6.30 | 5.31 | 2.23   |
|            | 2047250005   | 2511188                    | 10" to 6" — 250 to 160 mm  | 9.84 | 6.30 | 6.79 | 3.31   |
|            | 2047250006   | 2511190                    | 10" to 8" — 250 to 200 mm  | 9.84 | 7.87 | 6.79 | 2.95   |
|            | 2047315007   | 2511193                    | 12" to 8" — 315 to 200 mm  | 12.4 | 7.87 | 6.79 | 9.13   |
|            | 2047315009   | 2511195                    | 12" to 10" — 315 to 250 mm | 12.4 | 9.84 | 8.86 | 7.54   |
|            | 2047355010   | 2511197                    | 14" to 10" — 355 to 250 mm | 14.0 | 9.84 | 9.65 | 6.83   |
|            | 2047355011   | 2511199                    | 14" to 12" — 355 to 315 mm | 14.0 | 12.4 | 6.30 | 6.85   |
|            | 2047400012   | 2511201                    | 16" to 10" — 400 to 250 mm | 15.8 | 9.84 | 10.2 | 9.88   |
|            | 2047400013   | 2511203                    | 16" to 12" — 400 to 315 mm | 15.8 | 12.4 | 10.2 | 7.42   |
|            | 2047400014   | 2511204                    | 16" to 14" — 400 to 355 mm | 15.8 | 14.0 | 10.2 | 6.72   |
|            | 2047450015   | 2511206                    | 18" to 12" — 450 to 315 mm | 17.7 | 12.4 | 9.06 | 10.8   |
|            | 2047450016   | 2511207                    | 18" to 14" — 450 to 355 mm | 17.7 | 14.0 | 9.06 | 10.3   |
|            | 2047450017   | 2511208                    | 18" to 16" — 450 to 400 mm | 17.7 | 15.8 | 9.06 | 9.45   |
|            | 2047500018   | 2511209                    | 20" to 12" — 500 to 315 mm | 19.7 | 12.4 | 9.06 | 17.9   |
|            | 2047500019   | 2511210                    | 20" to 14" — 500 to 355 mm | 19.7 | 14.0 | 9.06 | 14.3   |
|            | 2047500020   | 2511211                    | 20" to 16" — 500 to 400 mm | 19.7 | 15.8 | 9.06 | 14.8   |
|            | 2047500021   | 2511212                    | 20" to 18" — 500 to 450 mm | 19.7 | 17.7 | 9.06 | 12.1   |
|            | 2047630022   | 2511216                    | 24" to 16" — 630 to 400 mm | 24.8 | 15.8 | 7.56 | 33.3   |
| 2047630023 | 2511217      | 24" to 18" — 630 to 450 mm | 24.8                       | 17.7 | 7.87 | 30.2 |        |
| 2047630024 | 2511218      | 24" to 20" — 630 to 500 mm | 24.8                       | 19.7 | 7.87 | 24.3 |        |
| 11         | 1044200960   | 0111185                    | 8" to 6" — 200 to 160 mm   | 7.87 | 6.30 | 5.31 | 2.66   |
|            | 1044250962   | 0111189                    | 10" to 6" — 250 to 160 mm  | 9.84 | 6.30 | 6.79 | 5.10   |
|            | 1044250964   | 0111191                    | 10" to 8" — 250 to 200 mm  | 9.84 | 7.87 | 6.79 | 5.27   |
|            | 1044315064   | 0111193                    | 12" to 8" — 315 to 200 mm  | 12.4 | 7.87 | 8.86 | 9.68   |
|            | 1044315966   | 0111195                    | 12" to 10" — 315 to 250 mm | 12.4 | 9.84 | 9.17 | 10.6   |
|            | 1044355066   | 0111197                    | 14" to 10" — 355 to 250 mm | 14.0 | 9.84 | 6.31 | 9.77   |
|            | 1044355067   | 0111199                    | 14" to 12" — 355 to 315 mm | 14.0 | 12.4 | 6.30 | 9.99   |
|            | 1044400068   | 0111201                    | 16" to 10" — 400 to 250 mm | 15.8 | 9.84 | 10.2 | 16.5   |
|            | 1044400069   | 0111203                    | 16" to 12" — 400 to 315 mm | 15.8 | 12.4 | 10.2 | 13.4   |
|            | 1044400070   | 0111204                    | 16" to 14" — 400 to 355 mm | 15.8 | 14.0 | 10.2 | 12.1   |
|            | 1044450071   | 0111206                    | 18" to 12" — 450 to 315 mm | 17.7 | 12.4 | 9.06 | 20.2   |
|            | 1044450072   | 0111207                    | 18" to 14" — 450 to 355 mm | 17.7 | 14.0 | 9.06 | 16.7   |
|            | 1044450073   | 0111208                    | 18" to 16" — 450 to 400 mm | 17.7 | 15.8 | 9.06 | 16.7   |
| 9          | 1043200125   | 0311184                    | 8" to 6" — 200 to 160 mm   | 7.87 | 6.30 | 5.31 | 3.50   |
|            | 1043250126   | 0311188                    | 10" to 6" — 250 to 160 mm  | 9.84 | 6.30 | 6.79 | 6.39   |
|            | 1043250127   | 0311190                    | 10" to 8" — 250 to 200 mm  | 9.84 | 7.87 | 6.79 | 7.07   |
|            | 1043315132   | 0311192                    | 12" to 8" — 315 to 200 mm  | 12.4 | 7.87 | 8.86 | 14.0   |
|            | 1043315128   | 0311194                    | 12" to 10" — 315 to 250 mm | 12.4 | 9.84 | 8.86 | 15.5   |
|            | 1043355129   | 0311196                    | 14" to 10" — 355 to 250 mm | 14.0 | 9.84 | 6.69 | 12.4   |
|            | 1043355130   | 0311198                    | 14" to 12" — 355 to 315 mm | 14.0 | 12.4 | 6.30 | 10.9   |
| 7.4        | 1042200959   | 0111184                    | 8" to 6" — 200 to 160 mm   | 7.87 | 6.30 | 5.31 | 3.46   |
|            | 1042250961   | 0111188                    | 10" to 6" — 250 to 160 mm  | 9.84 | 6.30 | 6.79 | 6.35   |
|            | 1042250963   | 0111190                    | 10" to 8" — 250 to 200 mm  | 9.84 | 7.87 | 6.79 | 7.17   |

**aquatherm FUSION OUTLET (SOCKET)**

The necessary fusion outlet heads are listed on page 59 (part no. 0050614 - 0050744).  
Fusion outlet fittings are rated at SDR 6. Allowances should be made for connection to other SDRs.



| New Part no. | Old Part no. | Dimension pipe x outlet<br>(ND — OD) | r         | d1   | d2   | l    | z    | D    | Weight |
|--------------|--------------|--------------------------------------|-----------|------|------|------|------|------|--------|
|              |              |                                      | [in]      | [in] | [in] | [in] | [in] | [in] | [lb]   |
| 1030040900   | 0115156      | 1 ¼" x ½" — 40 x 20 mm               | 0.79      | 0.79 | 0.98 | 1.06 | 1.28 | 1.16 | 0.03   |
| 1030040901   | 0115158      | 1 ¼" x ¾" — 40 x 25 mm               | 0.79      | 0.98 | 0.98 | 1.12 | 1.28 | 1.34 | 0.04   |
| 1030050902   | 0115160      | 1 ½" x ½" — 50 x 20 mm               | 0.99      | 0.79 | 0.98 | 1.08 | 1.50 | 1.16 | 0.04   |
| 1030050903   | 0115162      | 1 ½" x ¾" — 50 x 25 mm               | 0.99      | 0.98 | 0.98 | 1.12 | 1.48 | 1.34 | 0.04   |
| 1030063904   | 0115164      | 2 x ½" — 63 x 20 mm                  | 1.24      | 0.79 | 0.98 | 1.08 | 1.75 | 1.16 | 0.04   |
| 1030063905   | 0115166      | 2" x ¾" — 63 x 25 mm                 | 1.24      | 0.98 | 0.98 | 1.12 | 1.73 | 1.34 | 0.04   |
| 1030063906   | 0115168      | 2" x 1" — 63 x 32 mm                 | 1.24      | 1.26 | 1.26 | 1.18 | 1.71 | 1.69 | 0.06   |
| 1030075907   | 0115170      | 2 ½" x ½" — 75 x 20 mm               | 1.48      | 0.79 | 0.98 | 1.08 | 1.99 | 1.16 | 0.04   |
| 1030075908   | 0115172      | 2 ½" x ¾" — 75 x 25 mm               | 1.48      | 0.98 | 0.98 | 1.12 | 1.97 | 1.34 | 0.04   |
| 1030075909   | 0115174      | 2 ½" x 1" — 75 x 32 mm               | 1.48      | 1.26 | 1.26 | 1.18 | 1.95 | 1.69 | 0.06   |
| 1030075910   | 0115175      | 2 ½" x 1 ¼" — 75 x 40 mm             | 1.48      | 1.57 | 1.57 | 1.34 | 2.01 | 2.05 | 0.11   |
| 1030090911   | 0115176      | 3" x ½" — 90 x 20 mm                 | 1.77      | 0.79 | 0.98 | 1.08 | 2.28 | 1.16 | 0.04   |
| 1030090912   | 0115178      | 3" x ¾" — 90 x 25 mm                 | 1.77      | 0.98 | 0.98 | 1.12 | 2.26 | 1.34 | 0.04   |
| 1030090913   | 0115180      | 3" x 1" — 90 x 32 mm                 | 1.77      | 1.26 | 1.26 | 1.18 | 2.24 | 1.69 | 0.06   |
| 1030090914   | 0115181      | 3" x 1 ¼" — 90 x 40 mm               | 1.77      | 1.57 | 1.57 | 1.34 | 2.30 | 2.05 | 0.11   |
| 1030110915   | 0115182      | 3 ½" x ½" — 110 x 20 mm              | 2.17      | 0.79 | 0.98 | 1.08 | 2.68 | 1.16 | 0.04   |
| 1030110916   | 0115184      | 3 ½" x ¾" — 110 x 25 mm              | 2.17      | 0.98 | 0.98 | 1.12 | 2.70 | 1.34 | 0.04   |
| 1030110917   | 0115186      | 3 ½" x 1" — 110 x 32 mm              | 2.17      | 1.26 | 1.26 | 1.18 | 2.64 | 1.69 | 0.07   |
| 1030110918   | 0115188      | 3 ½" x 1 ¼" — 110 x 40 mm            | 2.17      | 1.57 | 1.57 | 1.34 | 2.70 | 2.05 | 0.11   |
| 1030110919   | 0115189      | 3 ½" x 1 ½" — 110 x 50 mm            | 2.17      | 1.97 | 1.97 | 1.34 | 2.58 | 2.68 | 0.20   |
| 1030125920   | 0115190      | 4" x ½" — 125 x 20 mm                | 2.46      | 0.79 | 0.98 | 1.08 | 2.93 | 1.16 | 0.04   |
| 1030125921   | 0115192      | 4" x ¾" — 125 x 25 mm                | 2.46      | 0.98 | 0.98 | 1.12 | 2.95 | 1.34 | 0.04   |
| 1030125922   | 0115194      | 4" x 1" — 125 x 32 mm                | 2.46      | 1.26 | 1.26 | 1.18 | 2.93 | 1.69 | 0.06   |
| 1030125923   | 0115196      | 4" x 1 ¼" — 125 x 40 mm              | 2.46      | 1.57 | 1.57 | 1.34 | 2.99 | 2.05 | 0.11   |
| 1030125924   | 0115197      | 4" x 1 ½" — 125 x 50 mm              | 2.46      | 1.97 | 1.97 | 1.34 | 2.87 | 2.68 | 0.20   |
| 1030125925   | 0115198      | 4" x 2" — 125 x 63 mm                | 2.46      | 2.48 | 2.48 | 1.50 | 2.87 | 3.31 | 0.33   |
| 1030160926   | 0115206      | 6" x ½" — 160 x 20 mm                | 3.15      | 0.79 | 0.98 | 2.44 | 3.66 | 1.16 | 0.05   |
| 1030160927   | 0115208      | 6" x ¾" — 160 x 25 mm                | 3.15      | 0.98 | 0.98 | 1.12 | 3.64 | 1.34 | 0.05   |
| 1030160928   | 0115210      | 6" x 1" — 160 x 32 mm                | 3.15      | 1.26 | 1.26 | 1.18 | 3.62 | 1.69 | 0.07   |
| 1030160929   | 0115212      | 6" x 1 ¼" — 160 x 40 mm              | 3.15      | 1.57 | 1.57 | 1.34 | 3.68 | 2.05 | 0.12   |
| 1030160930   | 0115214      | 6" x 1 ½" — 160 x 50 mm              | 3.15      | 1.97 | 1.97 | 1.34 | 3.56 | 2.70 | 0.21   |
| 1030160931   | 0115216      | 6" x 2" — 160 x 63 mm                | 3.15      | 2.48 | 2.48 | 1.50 | 3.56 | 3.31 | 0.34   |
| 1030160932   | 0115218      | 6" x 2 ½" — 160 x 75 mm              | 3.15      | 2.95 | 2.95 | 1.65 | 3.62 | 3.94 | 0.52   |
| 1030160933   | 0115220      | 6" x 3" — 160 x 90 mm                | 3.15      | 3.54 | 3.54 | 1.77 | 3.62 | 4.72 | 0.79   |
| 1030250934   | 0115228      | 8" to 10" x ½" — 200 to 250 x 20 mm  | 3.94/4.92 | 0.79 | 0.98 | 1.08 | 4.45 | 1.16 | 0.04   |
| 1030250935   | 0115229      | 8" to 10" x ¾" — 200 to 250 x 25 mm  | 3.94/4.92 | 0.98 | 0.98 | 1.12 | 4.43 | 1.34 | 0.05   |
| 1030250936   | 0115230      | 8" to 10" x 1" — 200 to 250 x 32 mm  | 3.94/4.92 | 1.26 | 1.26 | 1.18 | 4.41 | 1.69 | 0.07   |
| 1030200937   | 0115231      | 8" x 1 ¼" — 200 x 40 mm              | 3.94      | 1.57 | 1.57 | 1.34 | 4.47 | 2.05 | 0.11   |
| 1030200938   | 0115232      | 8" x 1 ½" — 200 x 50 mm              | 3.94      | 1.97 | 1.97 | 1.34 | 4.35 | 2.68 | 0.19   |
| 1030200939   | 0115233      | 8" x 2" — 200 x 63 mm                | 3.94      | 2.48 | 2.48 | 1.48 | 4.33 | 3.31 | 0.32   |

# PRODUCT RANGE - FUSION OUTLETS

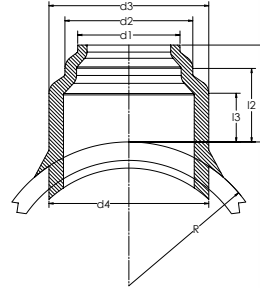
## aquatherm green pipe® FUSION OUTLET (SOCKET) (continued)

| New Part no. | Old Part no. | Dimension pipe x outlet<br>(ND — OD)    | r         | d1   | d2   | l    | z    | D    | Weight |
|--------------|--------------|-----------------------------------------|-----------|------|------|------|------|------|--------|
|              |              |                                         | [in]      | [in] | [in] | [in] | [in] | [in] | [lb]   |
| 1030200940   | 0115234      | 8" x 2 ½" — 200 x 75 mm                 | 3.94      | 2.95 | 2.95 | 1.65 | 4.41 | 3.94 | 0.50   |
| 1030200941   | 0115235      | 8" x 3" — 200 x 90 mm                   | 3.94      | 3.54 | 3.54 | 1.77 | 4.41 | 4.72 | 0.78   |
| 1030200942   | 0115236      | 8" x 3 ½" — 200 x 110 mm                | 3.94      | 4.33 | 4.33 | 1.93 | 4.41 | 5.79 | 1.41   |
| 1030200943   | 0115237      | 8" x 4" — 200 x 125 mm                  | 3.94      | 4.92 | 4.92 | 2.17 | 4.53 | 6.57 | 1.90   |
| 1030250944   | 0115251      | 10" x 1 ¼" — 250 x 40 mm                | 4.92      | 1.57 | 1.57 | 1.34 | 5.45 | 2.05 | 0.12   |
| 1030250945   | 0115252      | 10" x 1 ½" — 250 x 50 mm                | 4.92      | 1.97 | 1.97 | 1.34 | 5.33 | 2.68 | 0.20   |
| 1030250946   | 0115253      | 10" x 2" — 250 x 63 mm                  | 4.92      | 2.48 | 2.48 | 1.48 | 5.31 | 3.31 | 0.33   |
| 1030250947   | 0115254      | 10" x 2 ½" — 250 x 75 mm                | 4.92      | 2.95 | 2.95 | 1.65 | 5.39 | 3.94 | 0.49   |
| 1030250948   | 0115255      | 10" x 3" — 250 x 90 mm                  | 4.92      | 3.54 | 3.54 | 1.77 | 5.39 | 4.72 | 0.77   |
| 1030250949   | 0115256      | 10" x 3 ½" — 250 x 110 mm               | 4.92      | 4.33 | 4.33 | 1.93 | 5.39 | 5.79 | 1.33   |
| 1030250950   | 0115257      | 10" x 4" — 250 x 125 mm                 | 4.92      | 4.92 | 4.92 | 2.17 | 5.51 | 6.57 | 1.81   |
| 1030315052   | 0115260      | 12" to 14" x 2" — 315 to 355 x 63 mm    | 6.20/7.00 | 2.48 | 2.48 | 1.48 | 6.59 | 3.31 | 0.34   |
| 1030315053   | 0115261      | 12" to 14" x 2 ½" — 315 to 355 x 75 mm  | 6.20/7.00 | 2.95 | 2.95 | 1.65 | 6.67 | 3.94 | 0.51   |
| 1030315054   | 0115262      | 12" x 3" — 315 x 90 mm                  | 6.20      | 3.54 | 3.54 | 1.77 | 6.67 | 4.27 | 0.80   |
| 1030315055   | 0115263      | 12" x 3 ½" — 315 x 110 mm               | 6.20      | 4.33 | 4.33 | 1.93 | 6.67 | 5.79 | 1.31   |
| 1030315056   | 0115264      | 12" x 4" — 315 x 125 mm                 | 6.20      | 4.92 | 4.92 | 2.17 | 6.79 | 6.57 | 1.83   |
| 1030355058   | 0115268      | 14" x 3" — 355 x 90 mm                  | 7.00      | 3.54 | 3.54 | 1.77 | 7.46 | 4.27 | 0.78   |
| 1030355059   | 0115269      | 14" x 3 ½" — 355 x 110 mm               | 7.00      | 4.33 | 4.33 | 1.93 | 7.46 | 5.79 | 1.29   |
| 1030355060   | 0115270      | 14" x 4" — 355 x 125 mm                 | 7.00      | 4.92 | 4.92 | 2.17 | 7.58 | 6.57 | 1.79   |
| 1030500062   | 0115275      | 16" to 20" x 2 ½" — 400 to 500 x 75 mm  | 7.90/9.85 | 2.95 | 2.95 | 1.65 | 8.35 | 3.94 | 0.48   |
| 1030450063   | 0115277      | 16" to 18" x 3 ½" — 400 to 450 x 110 mm | 7.90/8.85 | 4.33 | 4.33 | 1.93 | 8.35 | 5.79 | 1.18   |
| 1030400064   | 0115278      | 16" x 4" — 400 x 125 mm                 | 7.90      | 4.92 | 4.92 | 2.17 | 8.46 | 6.57 | 1.53   |
| 1030500065   | 0115288      | 16" to 20" x 3" — 400 to 500 x 90 mm    | 7.90/9.85 | 3.54 | 3.54 | 1.77 | 9.33 | 4.27 | 0.73   |
| 1030500066   | 0115290      | 18" to 20" x 4" — 450 to 500 x 125 mm   | 8.85/9.85 | 4.92 | 4.92 | 2.17 | 9.45 | 6.57 | 1.48   |
| 1030630067   | 0115300      | 16" to 24" x 2" — 400 to 630 x 63 mm    | 7.90/12.4 | 2.48 | 2.48 | 1.48 | 10.2 | 3.31 | 1.10   |
| 1030630072   | 0115331      | 24" x 3 ½" — 630 x 110 mm               | 12.4      | 4.33 | 4.33 | 1.93 | 12.9 | 5.79 | 1.25   |

**aquatherm FUSION OUTLET (BUTT-FUSION, VARIABLE BRANCH)**

Allowances should be made for connection to dissimilar SDRs.

**NOTE: Verify the equipment to be used is compatible with the fittings when ordering.**

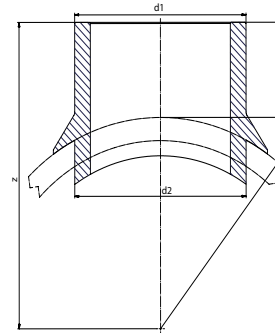


| SDR | New Part no. | Old Part no.         | Dimension pipe x outlet<br>(ND — OD)  | R    | d1   | d2   | d3   | d4   | l1   | l2   | l3   | Weight |
|-----|--------------|----------------------|---------------------------------------|------|------|------|------|------|------|------|------|--------|
|     |              |                      |                                       | [in] | [in] | [in] | [in] | [in] | [in] | [in] | [in] | [in]   |
| 11  | 1034400008   | 0115280 <sup>a</sup> | 16" x 6" to 10" — 400 x 160 to 250 mm | 7.90 | 6.30 | 7.87 | 9.84 | 9.84 | 5.97 | 4.53 | 3    | 6.46   |
|     | 1030450010   | 0115292 <sup>a</sup> | 18" x 6" to 10" — 450 x 160 to 250 mm | 8.86 | 6.30 | 7.87 | 9.84 | 9.84 | 5.97 | 4.53 | 3    | 6.61   |
|     | 1034500012   | 0115306 <sup>a</sup> | 20" x 6" to 10" — 500 x 160 to 250 mm | 9.84 | 6.30 | 7.87 | 9.84 | 9.84 | 5.97 | 4.53 | 3    | 6.34   |
|     | 1034630015   | 0115334 <sup>a</sup> | 24" x 6" to 10" — 630 x 160 to 250 mm | 12.4 | 6.30 | 7.87 | 9.84 | 9.84 | 5.97 | 4.53 | 3    | 6.68   |

<sup>a</sup> Molded fitting designed to accommodate a range of branch sizes. If needed, the fitting can be cut and butt welded to the larger diameters in the given range.

**aquatherm FUSION OUTLET (BUTT-FUSION, FIXED BRANCH)**

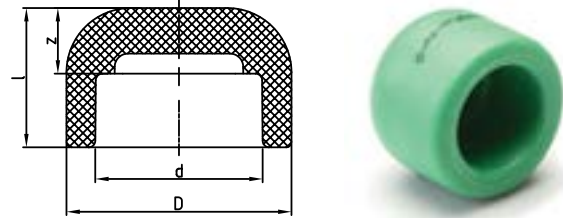
Allowances should be made for connection to dissimilar SDRs.



| SDR | New Part no. | Old Part no. | Dimension pipe x outlet<br>(ND — OD) | R    | d1   | d2   | d3   | d4   | Weight |
|-----|--------------|--------------|--------------------------------------|------|------|------|------|------|--------|
|     |              |              |                                      | [in] | [in] | [in] | [in] | [in] | [lb]   |
| 11  | 1034315057   | 0115265      | 12" x 6" — 315 x 160 mm              | 6.30 | 6.30 | 6.30 | 3.15 | 9.45 | 1.91   |
|     | 1034355061   | 0115271      | 14" x 6" — 355 x 160 mm              | 7.00 | 6.30 | 6.30 | 3.15 | 10.2 | 1.91   |
|     | 1034355004   | 0115272      | 14" x 8" — 355 x 200 mm              | 7.00 | 7.86 | 7.86 | 3.54 | 10.5 | 3.53   |
|     | 1030450011   | 0115298      | 18" x 12" — 450 x 315 mm             | 8.85 | 12.4 | 12.4 | 3.54 | 12.4 | 8.52   |
|     | 1034500013   | 0115312      | 20" x 12" — 500 x 315 mm             | 9.85 | 12.4 | 12.4 | 3.43 | 13.3 | 8.13   |
|     | 1034630016   | 0115340      | 24" x 12" — 630 x 315 mm             | 12.4 | 12.4 | 12.4 | 2.66 | 16.1 | 8.53   |
| 9   | 1033315073   | 0315265      | 12" x 6" — 315 x 160 mm              | 6.20 | 6.30 | 6.30 | 2.51 | 9.35 | 1.83   |
|     | 1033355074   | 0315271      | 14" x 6" — 355 x 160 mm              | 7.00 | 6.30 | 6.30 | 3.15 | 10.1 | 1.86   |

# PRODUCT RANGE - END CAPS

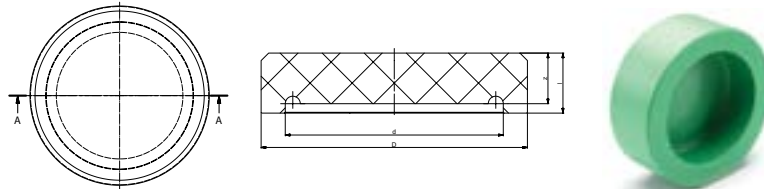
## aquatherm END CAP (SOCKET)



| New Part no. | Old Part no. | Dimension<br>(ND — OD) | d    | z    | L    | D    | Weight |
|--------------|--------------|------------------------|------|------|------|------|--------|
|              |              |                        | [in] | [in] | [in] | [in] | [lb]   |
| 1020020901   | 0114108      | ½" — 20 mm             | 0.79 | 0.37 | 0.94 | 1.16 | 0.02   |
| 1020025902   | 0114110      | ¾" — 25 mm             | 0.98 | 0.31 | 0.94 | 1.34 | 0.02   |
| 1020032903   | 0114112      | 1" — 32 mm             | 1.26 | 0.53 | 1.24 | 1.69 | 0.05   |
| 1020040904   | 0114114      | 1 ¼" — 40 mm           | 1.57 | 0.69 | 1.50 | 2.05 | 0.09   |
| 1020050905   | 0114116      | 1 ½" — 50 mm           | 1.97 | 0.83 | 1.75 | 2.68 | 0.18   |
| 1020063906   | 0114118      | 2" — 63 mm             | 2.48 | 0.96 | 2.05 | 3.31 | 0.32   |
| 1020075907   | 0114120      | 2 ½" — 75 mm           | 2.95 | 1.12 | 2.30 | 3.94 | 0.54   |
| 1020090908   | 0114122      | 3" — 90 mm             | 3.54 | 1.36 | 2.26 | 4.72 | 0.80   |
| 1020110909   | 0114124      | 3 ½" — 110 mm          | 4.33 | 1.10 | 2.56 | 5.79 | 1.40   |
| 1020125910   | 0114126      | 4" — 125 mm            | 4.92 | 1.18 | 3.19 | 6.57 | 1.92   |

## aquatherm END CAP (BUTT-FUSION)

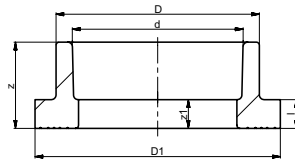
These fittings can be used with either the **aquatherm green pipe**® or **aquatherm blue pipe**® systems, but are all molded from the green **fusiolex**® material. The SDR of the fittings must match the SDR of the pipe.



| SDR        | New Part no. | Old Part no. | Dimension<br>(ND — OD) | D    | d    | l    | z    | Weight |
|------------|--------------|--------------|------------------------|------|------|------|------|--------|
|            |              |              |                        | [in] | [in] | [in] | [in] | [lb]   |
| 17.6       | 2027160001   | 2514130      | 6" — 160 mm            | 6.30 | 5.58 | 2.76 | 0.57 | 1.50   |
|            | 2027200002   | 2514134      | 8" — 200 mm            | 7.87 | 6.98 | 3.15 | 0.72 | 2.04   |
|            | 2027250003   | 2514138      | 10" — 250 mm           | 9.84 | 8.72 | 3.54 | 1.35 | 4.65   |
|            | 2027315004   | 2514142      | 12" — 315 mm           | 12.4 | 11.0 | 2.76 | 2.36 | 6.53   |
|            | 2027355005   | 2514144      | 14" — 355 mm           | 14.0 | 12.4 | 2.76 | 2.36 | 8.66   |
|            | 2027400006   | 2514146      | 16" — 400 mm           | 15.8 | 14.0 | 2.95 | 2.56 | 13.6   |
|            | 2027450007   | 2514148      | 18" — 450 mm           | 17.7 | 15.7 | 2.76 | 2.20 | 18.8   |
|            | 2027500008   | 2514150      | 20" — 500 mm           | 19.7 | 17.5 | 2.95 | 2.44 | 27.6   |
| 2027630009 | 2514154      | 24" — 630 mm | 24.8                   | 22.0 | 3.54 | 3.07 | 51.8 |        |
| 11         | 1024160911   | 0114131      | 6" — 160 mm            | 6.30 | 5.15 | 2.76 | 0.55 | 1.67   |
|            | 1024200912   | 0114135      | 8" — 200 mm            | 7.87 | 6.44 | 3.15 | 0.72 | 2.36   |
|            | 1024250913   | 0114139      | 10" — 250 mm           | 9.84 | 8.06 | 3.54 | 0.89 | 4.38   |
|            | 1024315018   | 0114143      | 12" — 315 mm           | 12.4 | 10.1 | 2.76 | 2.07 | 13.7   |
|            | 1024355019   | 0114145      | 14" — 355 mm           | 14.0 | 11.4 | 3.15 | 2.66 | 20.9   |
|            | 1024400020   | 0114147      | 16" — 400 mm           | 15.8 | 12.9 | 2.76 | 2.36 | 18.8   |
| 1024450021 | 0114149      | 18" — 450 mm | 17.7                   | 14.5 | 3.15 | 2.76 | 26.9 |        |
| 9          | 1023160022   | 0314130      | 6" — 160 mm            | 6.30 | 4.90 | 2.76 | 0.86 | 1.87   |
|            | 1023200023   | 0314134      | 8" — 200 mm            | 7.87 | 6.11 | 3.15 | 1.18 | 3.03   |
|            | 1023250024   | 0314138      | 10" — 250 mm           | 9.84 | 7.65 | 3.54 | 1.34 | 6.30   |
|            | 1023315025   | 0314142      | 12" — 315 mm           | 12.4 | 9.63 | 2.76 | 2.07 | 11.2   |
|            | 1023355026   | 0314144      | 14" — 355 mm           | 14.0 | 10.9 | 3.15 | 2.62 | 15.5   |
| 7.4        | 1022160911   | 0114130      | 6" — 160 mm            | 6.30 | 4.60 | 2.76 | 1.16 | 1.93   |
|            | 1022200912   | 0114134      | 8" — 200 mm            | 7.87 | 5.75 | 3.15 | 1.08 | 3.08   |
|            | 1022250913   | 0114138      | 10" — 250 mm           | 9.84 | 7.18 | 3.54 | 1.48 | 5.58   |

**aquatherm FLANGE ADAPTER (SOCKET)**

Socket fused. Gasket not included. All sizes are compatible with butterfly valves. Minimum 1/8" thickness gasket recommended.



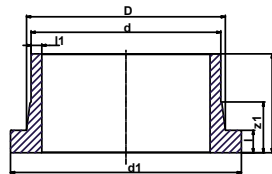
| New Part no. | Old Part no.         | Dimension (ND — OD) | d    | z    | z1   | D    | D1   | l    | Weight |
|--------------|----------------------|---------------------|------|------|------|------|------|------|--------|
|              |                      |                     | [in] | [in] | [in] | [in] | [in] | [in] | [in]   |
| 1020032910   | 0115512              | 1" — 32 mm          | 1.26 | 1.34 | 0.63 | 1.61 | 2.68 | 0.39 | 0.12   |
| 1020040911   | 0115514              | 1 ¼" — 40 mm        | 1.57 | 1.40 | 0.59 | 1.97 | 3.07 | 0.43 | 0.16   |
| 1020050912   | 0115516              | 1 ½" — 50 mm        | 1.97 | 1.56 | 0.63 | 2.40 | 3.46 | 0.47 | 0.16   |
| 1020063913   | 0115518              | 2" — 63 mm          | 2.48 | 1.71 | 0.63 | 2.99 | 4.02 | 0.55 | 0.25   |
| 1020075914   | 0115520              | 2 ½" — 75 mm        | 2.95 | 1.81 | 0.63 | 3.54 | 4.80 | 0.63 | 0.37   |
| 1020090915   | 0115522              | 3" — 90 mm          | 3.54 | 1.97 | 0.67 | 4.25 | 5.43 | 0.67 | 0.58   |
| 1020110916   | 0115524              | 3 ½" — 110 mm       | 4.32 | 2.19 | 0.73 | 5.16 | 6.22 | 0.73 | 0.73   |
| 1020125917   | 0115526 <sup>a</sup> | 4" — 125 mm         | 3.54 | 7.95 | 0.73 | 4.92 | 6.22 | 0.74 | 2.78   |

<sup>a</sup> Part no. 0115526 may be butt-fused or paired with a coupling (part no. 0111026, sold separately). Butt-fusion to SDR 17.6 pipe requires machining of the flange adapter—contact Aquatherm for pricing and delivery.

**aquatherm FLANGE ADAPTER (BUTT-FUSION)**

Butt fused. Gasket not included. Minimum 1/8" thickness gasket recommended.

**Note: The length of some fittings may not accommodate all butt-fusion equipment. Verify the equipment to be used is compatible with the fittings when ordering.**



| SDR        | New Part no. for butterfly valve | Old Part no. for butterfly valve | Dimension (ND — OD) | d    | l    | z    | D    | d1   | l1   | z1   | Weight |
|------------|----------------------------------|----------------------------------|---------------------|------|------|------|------|------|------|------|--------|
|            |                                  |                                  |                     | [in] | [in] | [in] | [in] | [in] | [in] | [in] | [in]   |
| 17.6       | 9792915530                       | 2915530BV                        | 6" — 160 mm         | 6.30 | 1.06 | 3.90 | 6.89 | 8.35 | 0.36 | 2.17 | 1.81   |
|            | 9792915534                       | 2915534BV                        | 8" — 200 mm         | 7.87 | 1.26 | 5.12 | 9.13 | 10.6 | 0.45 | 2.83 | 4.08   |
|            | 9792915538                       | 2915538BV                        | 10" — 250 mm        | 9.84 | 1.38 | 5.12 | 11.2 | 12.6 | 0.48 | 2.95 | 6.03   |
|            | 9792915542                       | 2915542BV                        | 12" — 315 mm        | 12.4 | 0.98 | 6.61 | 13.2 | 14.6 | 0.70 | 3.23 | 9.92   |
|            | 9792915544                       | 2915544BV                        | 14" — 355 mm        | 14.0 | 1.18 | 7.24 | 14.7 | 16.9 | 0.79 | 3.58 | 14.3   |
|            | 9792915546                       | 2915546BV                        | 16" — 400 mm        | 15.8 | 1.30 | 7.68 | 16.8 | 19.0 | 0.89 | 3.82 | 18.7   |
|            | 9792915548                       | 2915548BV                        | 18" — 450 mm        | 17.7 | 1.81 | 5.59 | 18.3 | 20.8 | 1.00 | 3.23 | 26.5   |
|            | 9792915550                       | 2915550BV                        | 20" — 500 mm        | 19.7 | 1.81 | 5.43 | 20.9 | 23.0 | 1.12 | 3.07 | 21.6   |
| 9792915554 | 2915554BV                        | 24" — 630 mm                     | 24.8                | 1.97 | 5.51 | 25.3 | 27.0 | 1.41 | 3.15 | 27.8 |        |
| 11         | 9790115531                       | 0115531BV                        | 6" — 160 mm         | 6.30 | 1.06 | 3.82 | 6.81 | 8.35 | 0.57 | 2.17 | 2.10   |
|            | 9790115631                       | 0115531LBBV <sup>b</sup>         | 6" — 160 mm         | 6.30 | 1.06 | 15.8 | 6.81 | 8.35 | 0.57 | 2.17 | 6.41   |
|            | 9790115731                       | 0115531LGBV <sup>b</sup>         | 6" — 160 mm         | 6.30 | 1.06 | 15.8 | 6.81 | 8.35 | 0.57 | 2.17 | 6.62   |
|            | 9790115535                       | 0115535BV                        | 8" — 200 mm         | 7.87 | 1.26 | 5.12 | 9.13 | 10.6 | 0.72 | 2.83 | 4.31   |
|            | 9790115539                       | 0115539BV                        | 10" — 250 mm        | 9.84 | 1.38 | 5.12 | 11.2 | 12.6 | 0.89 | 2.95 | 5.99   |
|            | 9790115543                       | 0115543BV                        | 12" — 315 mm        | 12.4 | 1.38 | 6.61 | 13.2 | 14.6 | 1.13 | 3.23 | 12.5   |
|            | 9790115545                       | 0115545BV                        | 14" — 355 mm        | 14.0 | 1.57 | 7.09 | 14.7 | 16.9 | 1.27 | 3.54 | 19.8   |
|            | 9790115547                       | 0115547BV                        | 16" — 400 mm        | 15.8 | 1.81 | 7.68 | 16.8 | 19.0 | 1.43 | 3.94 | 26.5   |
| 9790115549 | 0115549BV                        | 18" — 450 mm                     | 17.7                | 2.36 | 5.47 | 18.3 | 20.8 | 1.61 | 3.11 | 36.4 |        |
| 9          | 9790315530                       | 0315530BV                        | 6" — 160 mm         | 6.30 | 0.98 | 3.66 | 6.89 | 8.35 | 0.70 | 2.09 | 2.53   |
|            | 9790315534                       | 0315534BV                        | 8" — 200 mm         | 7.87 | 1.26 | 5.12 | 9.13 | 10.6 | 0.88 | 2.83 | 5.05   |
|            | 9790315538                       | 0315538BV                        | 10" — 250 mm        | 9.84 | 1.38 | 5.12 | 11.2 | 12.6 | 1.10 | 2.95 | 7.30   |
|            | 9790315542                       | 0315542BV                        | 12" — 315 mm        | 12.4 | 2.05 | 6.79 | 13.3 | 14.6 | 3.35 | 3.35 | 12.4   |
|            | 9790315544                       | 0315544BV                        | 14" — 355 mm        | 14.0 | 3.03 | 8.54 | 14.8 | 17.0 | 1.56 | 5.00 | 31.6   |
| 7.4        | 9790115530                       | 0115530BV                        | 6" — 160 mm         | 6.30 | 1.00 | 3.63 | 6.89 | 8.38 | 0.86 | 2.09 | 2.56   |
|            | 9790115630                       | 0115530LBV <sup>b</sup>          | 6" — 160 mm         | 6.30 | 1.00 | 15.6 | 6.89 | 8.38 | 0.86 | 2.09 | 9.11   |
|            | 9790115534                       | 0115534BV                        | 8" — 200 mm         | 7.87 | 1.26 | 5.12 | 9.13 | 10.6 | 1.08 | 2.83 | 5.05   |
|            | 9790115538                       | 0115538BV                        | 10" — 250 mm        | 9.84 | 1.38 | 5.12 | 11.2 | 12.6 | 1.35 | 2.95 | 7.27   |

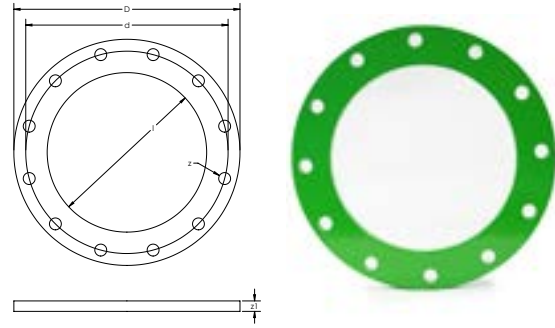
<sup>a</sup> Includes 1-ft extension of **aquatherm green pipe**®.

<sup>b</sup> Includes 1-ft extension of **aquatherm blue pipe**®.

# PRODUCT RANGE - FLANGE

## aquatherm FLANGE RING

Carbon steel with green epoxy powder coating, American bolt pattern. ASME B16.5, Class 150 bolt pattern. Made in China. Class 300 rings available on special request. If ordering for a U.S. government/military project, please contact your Regional Sales Manager.



| New Part No. | Old Part No.         | Dimension<br>(ND — OD) | No. of bolt<br>holes | D    | d    | l    | z    | z1   | Weight |
|--------------|----------------------|------------------------|----------------------|------|------|------|------|------|--------|
|              |                      |                        |                      | [in] | [in] | [in] | [in] | [in] | [lb]   |
| 9793315712   | 3315712              | 1" — 32 mm             | 4                    | 4.63 | 3.13 | 1.63 | 0.63 | 0.63 | 2.38   |
| 9793315714   | 3315714              | 1 ¼" — 40 mm           | 4                    | 4.63 | 3.50 | 2.00 | 0.63 | 0.63 | 2.20   |
| 9793315716   | 3315716              | 1 ½" — 50 mm           | 4                    | 5.00 | 3.88 | 2.44 | 0.63 | 0.63 | 2.47   |
| 9793315718   | 3315718              | 2" — 63 mm             | 4                    | 6.00 | 4.75 | 3.06 | 0.75 | 0.63 | 3.37   |
| 9793315720   | 3315720              | 2 ½" — 75 mm           | 4                    | 7.00 | 5.50 | 3.63 | 0.75 | 0.63 | 4.96   |
| 9793315722   | 3315722 <sup>a</sup> | 3" — 90 mm             | 8                    | 7.50 | 6.00 | 4.34 | 0.75 | 0.63 | 4.70   |
| 9793315724   | 3315724 <sup>a</sup> | 3 ½" — 110 mm          | 8                    | 8.50 | 7.00 | 5.25 | 0.75 | 0.63 | 5.73   |
| 9793315726   | 3315726              | 4" — 125 mm            | 8                    | 9.00 | 7.50 | 5.25 | 0.75 | 0.63 | 6.94   |
| 9793315730   | 3315730              | 6" — 160 mm            | 8                    | 11.0 | 9.50 | 7.00 | 0.88 | 0.69 | 10.5   |
| 9793315734   | 3315734              | 8" — 200 mm            | 8                    | 13.5 | 11.8 | 9.31 | 0.88 | 0.69 | 14.2   |
| 9793315738   | 3315738              | 10" — 250 mm           | 12                   | 16.0 | 14.3 | 11.3 | 1.00 | 0.75 | 19.7   |
| 9793315742   | 3315742              | 12" — 315 mm           | 12                   | 19.0 | 17.0 | 13.4 | 1.00 | 0.88 | 34.2   |
| 9793315744   | 3315744              | 14" — 355 mm           | 12                   | 21.0 | 18.8 | 15.0 | 1.12 | 0.88 | 40.1   |
| 9793315746   | 3315746              | 16" — 400 mm           | 16                   | 23.5 | 21.3 | 16.9 | 1.12 | 0.88 | 48.1   |
| 9793315748   | 3315748              | 18" — 450 mm           | 16                   | 25.0 | 22.8 | 18.8 | 1.25 | 0.88 | 48.5   |
| 9793315750   | 3315750              | 20" — 500 mm           | 20                   | 27.0 | 25.0 | 20.8 | 1.25 | 1.00 | 65.7   |
| 9793315754   | 3315754              | 24" — 630 mm           | 20                   | 32.0 | 29.5 | 25.4 | 1.38 | 1.13 | 87.1   |

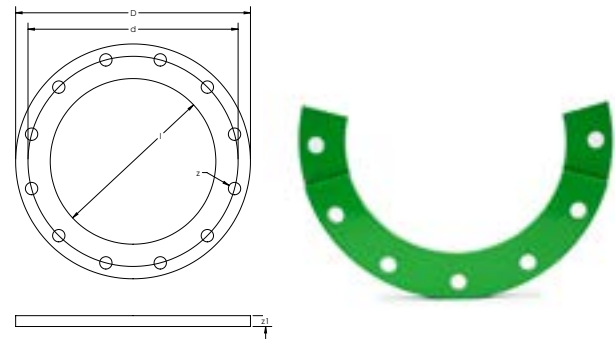
<sup>a</sup> Flange ring will have 8 holes, but only 4 holes will be used when mating up to steel flanges in the same size.

Flange rings are supplied from China. If purchasing requirements mandate materials from a Designated Country per the Trade Agreements Act (FAR 52.225-5), please contact your Aquatherm Regional Sales Manager for pricing and availability.



**aquatherm SPLIT FLANGE RING**

Carbon steel with green epoxy powder coating, American bolt pattern. ASME B16.5, Class 150 bolt pattern. Flange rings are supplied from China. If purchasing requirements mandate materials from a Designated Country per the Trade Agreements Act (FAR 52.225-5), please contact Aquatherm for pricing and availability.

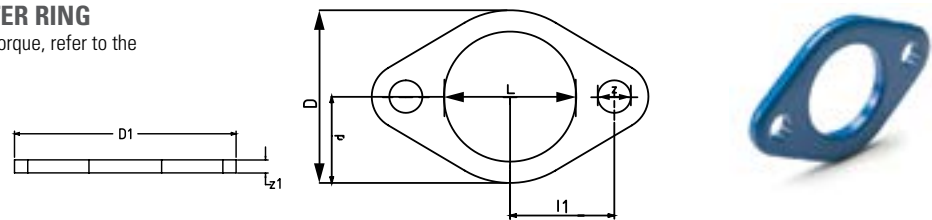


| New Part No. | Old Part No.         | Dimension (ND — OD) | No. of bolt holes | D    | d    | l    | z    | z1   | Weight [lb] |
|--------------|----------------------|---------------------|-------------------|------|------|------|------|------|-------------|
|              |                      |                     |                   | [in] | [in] | [in] | [in] | [in] |             |
| 9790615712   | 0615712              | 1" — 32 mm          | 4                 | 4.25 | 3.13 | 1.63 | 0.62 | 0.63 | 2.38        |
| 9790615714   | 0615714              | 1 ¼" — 40 mm        | 4                 | 4.62 | 3.50 | 2.00 | 0.62 | 0.63 | 2.20        |
| 9790615716   | 0615716              | 1 ½" — 50 mm        | 4                 | 5.00 | 3.88 | 2.44 | 0.62 | 0.63 | 2.47        |
| 9790615718   | 0615718              | 2" — 63 mm          | 4                 | 6.00 | 4.75 | 3.06 | 0.75 | 0.63 | 3.37        |
| 9790615720   | 0615720              | 2 ½" — 75 mm        | 4                 | 7.00 | 5.50 | 3.63 | 0.75 | 0.63 | 4.96        |
| 9790615722   | 0615722 <sup>a</sup> | 3" — 90 mm          | 8                 | 7.50 | 6.00 | 4.34 | 0.75 | 0.63 | 4.70        |
| 9790615724   | 0615724 <sup>a</sup> | 3 ½" — 110 mm       | 8                 | 8.50 | 7.00 | 5.25 | 0.75 | 0.63 | 5.73        |
| 9790615726   | 0615726              | 4" — 125 mm         | 8                 | 9.00 | 7.50 | 5.25 | 0.75 | 0.63 | 6.94        |
| 9790615730   | 0615730              | 6" — 160 mm         | 8                 | 11.0 | 9.50 | 7.00 | 0.88 | 0.69 | 10.5        |
| 9790615734   | 0615734              | 8" — 200 mm         | 8                 | 13.5 | 11.8 | 9.31 | 0.88 | 0.69 | 14.2        |
| 9790615738   | 0615738              | 10" — 250 mm        | 12                | 16.0 | 14.3 | 11.3 | 1.00 | 0.75 | 19.7        |
| 9790615742   | 0615742              | 12" — 315 mm        | 12                | 19.0 | 17.0 | 13.4 | 1.00 | 0.88 | 34.2        |
| 9790615744   | 0615744              | 14" — 355 mm        | 12                | 21.0 | 18.8 | 15.0 | 1.12 | 0.88 | 40.1        |
| 9790615746   | 0615746              | 16" — 400 mm        | 16                | 23.5 | 21.3 | 16.9 | 1.12 | 0.88 | 48.1        |
| 9790615748   | 0615748              | 18" — 450 mm        | 16                | 25.0 | 22.8 | 18.8 | 1.25 | 0.88 | 48.5        |
| 9790615750   | 0615750              | 20" — 500 mm        | 20                | 27.5 | 25.0 | 20.8 | 1.25 | 1.00 | 65.7        |
| 9790615754   | 0615754              | 24" — 630 mm        | 20                | 31.8 | 29.5 | 25.4 | 1.38 | 1.13 | 87.1        |

<sup>a</sup> Flange ring will have 8 holes, but only 4 holes will be used when mating up to steel flanges in the same size.

**aquatherm PUMP FLANGE ADAPTER RING**

American bolt pattern. For flange bolt size and torque, refer to the Aquatherm Installer Manual.

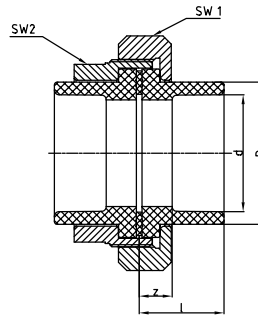


| New Part No. | Old Part No. | Dimension (ND — OD)                                                                      | d    | L    | z    | D    | l1   | D1   | z1   | Weight [lb] |
|--------------|--------------|------------------------------------------------------------------------------------------|------|------|------|------|------|------|------|-------------|
|              |              |                                                                                          | [in] | [in] | [in] | [in] | [in] | [in] | [in] |             |
| 9795515712   | 5515712      | 1" — 32 mm pump flange ring - blue (used with part no. 0115512)                          | 1.33 | 1.75 | 0.50 | 2.66 | 1.58 | 4.18 | 0.25 | 0.36        |
| 9795515713   | 5515713      | 1 ¼" — 40 mm pump flange ring (used with part no. 0115514)                               | 1.33 | 2.00 | 0.50 | 2.66 | 1.58 | 4.18 | 0.25 | 0.30        |
| 9795515714   | 5515714      | 1 ¼" — 40 mm pump flange ring (used with part no. 0115514, fitted Grundfos model UP4375) | 1.50 | 2.00 | 0.50 | 3.00 | 1.75 | 4.80 | 0.25 | 0.43        |

Flange rings are supplied from China. If purchasing requirements mandate materials from a Designated Country per the Trade Agreements Act (FAR 52.225-5), please contact your Aquatherm Regional Sales Manager for pricing and availability.

# PRODUCT RANGE - UNIONS

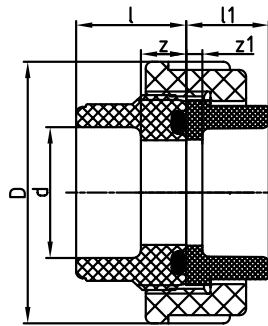
## aquatherm UNION WITH BRASS NUT



| New Part no. | Old Part No. | Dimension<br>(ND — OD) | d    | l    | z    | D    | SW1  | SW2  | Weight |
|--------------|--------------|------------------------|------|------|------|------|------|------|--------|
|              |              |                        | [in] | [in] | [in] | [in] | [in] | [in] | [in]   |
| 1050032040   | 0115812      | 1" — 32 mm             | 1.26 | 1.44 | 0.73 | 1.61 | 2.52 | 1.97 | 1.06   |
| 1050040041   | 0115814      | 1 ¼" — 40 mm           | 1.57 | 1.50 | 0.69 | 1.97 | 3.15 | 2.36 | 1.85   |
| 1050050042   | 0115816      | 1 ½" — 50 mm           | 1.97 | 1.61 | 0.69 | 2.40 | 3.39 | 2.76 | 1.81   |
| 1050063043   | 0115818      | 2" — 63 mm             | 2.48 | 1.77 | 0.69 | 2.99 | 4.25 | 3.54 | 3.30   |
| 1050075044   | 0115820      | 2 ½" — 75 mm           | 2.95 | 1.22 | 0.69 | 3.54 | 5.04 | 4.09 | 4.40   |

Replacement gaskets available upon request.

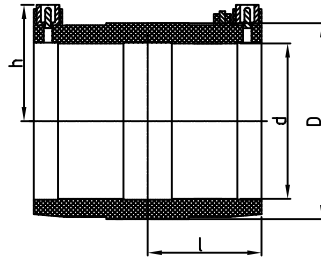
## aquatherm UNION WITH PP-R NUT



| New Part No. | Old Part No. | Dimension<br>(ND — OD) | d    | l    | z    | l1   | z1   | D    | Weight |
|--------------|--------------|------------------------|------|------|------|------|------|------|--------|
|              |              |                        | [in] | [in] | [in] | [in] | [in] | [in] | [in]   |
| 1050020050   | 0115838      | ½" — 20 mm             | 0.79 | 1.02 | 0.47 | 0.79 | 0.22 | 1.81 | 0.08   |
| 1050025051   | 0115840      | ¾" — 25 mm             | 0.98 | 1.10 | 0.47 | 0.83 | 0.20 | 2.20 | 0.13   |
| 1050032052   | 0115842      | 1" — 32 mm             | 1.26 | 1.26 | 0.47 | 0.91 | 0.20 | 2.60 | 0.20   |
| 1050040053   | 0115844      | 1 ¼" — 40 mm           | 1.57 | 1.50 | 0.55 | 1.00 | 0.20 | 3.11 | 0.30   |
| 1050050054   | 0115846      | 1 ½" — 50 mm           | 1.97 | 1.77 | 0.63 | 1.12 | 0.20 | 3.43 | 0.37   |
| 1050063055   | 0115848      | 2" — 63 mm             | 2.48 | 2.19 | 0.79 | 1.28 | 0.20 | 4.21 | 0.53   |
| 1050075056   | 0115850      | 2 ½" — 75 mm           | 2.95 | 1.97 | 0.79 | 1.42 | 0.24 | 5.04 | 1.20   |

Replacement O-rings available upon request.

**aquatherm ELECTROFUSION COUPLING**



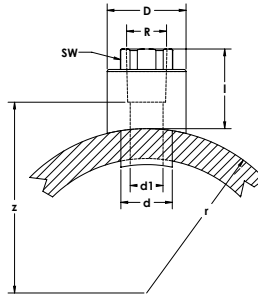
| New Part no. | Old Part No.         | Dimension<br>(ND — OD) | d    | l    | h    | D    | Weight |
|--------------|----------------------|------------------------|------|------|------|------|--------|
|              |                      |                        | [in] | [in] | [in] | [in] | [lb]   |
| 1040020984   | 0117208              | ½" — 20 mm             | 0.79 | 1.38 | 1.42 | 1.24 | 0.11   |
| 1040025985   | 0117210              | ¾" — 25 mm             | 0.98 | 1.54 | 1.52 | 1.44 | 0.13   |
| 1040032986   | 0117212              | 1" — 32 mm             | 1.26 | 1.57 | 1.67 | 1.77 | 0.17   |
| 1040040987   | 0117214              | 1 ¼" — 40 mm           | 1.57 | 1.81 | 1.85 | 2.13 | 0.23   |
| 1040050988   | 0117216              | 1 ½" — 50 mm           | 1.97 | 2.03 | 2.05 | 2.56 | 0.31   |
| 1040063989   | 0117218              | 2" — 63 mm             | 2.48 | 2.32 | 2.28 | 3.21 | 0.53   |
| 1040075990   | 0117220              | 2 ½" — 75 mm           | 2.95 | 2.56 | 2.54 | 3.78 | 0.77   |
| 1040090991   | 0117222              | 3" — 90 mm             | 3.54 | 2.85 | 2.83 | 4.47 | 1.10   |
| 1040110992   | 0117224              | 3 ½" — 110 mm          | 4.33 | 3.15 | 3.25 | 5.47 | 1.81   |
| 1040125993   | 0117226              | 4" — 125 mm            | 4.92 | 3.39 | 3.54 | 6.14 | 2.42   |
| 1040160994   | 0117230 <sup>a</sup> | 6" — 160 mm            | 6.30 | 3.66 | 4.31 | 7.76 | 3.87   |
| 1040200995   | 0117234 <sup>a</sup> | 8" — 200 mm            | 7.87 | 4.13 | 5.28 | 9.57 | 7.99   |
| 1040250996   | 0117238 <sup>a</sup> | 10" — 250 mm           | 9.84 | 4.92 | 6.69 | 12.4 | 15.8   |

<sup>a</sup> Cannot be used in conjunction with UV pipe.

# PRODUCT RANGE - TRANSITION FITTINGS

## aquatherm NPT FUSION OUTLET (female)

Includes hex-shaped female thread, weld-in surface and weld-in socket for fusion with the inner wall of the pipe. The necessary fusion outlet heads are listed on pages 59-60 (part no. 0050614 - 0050744).

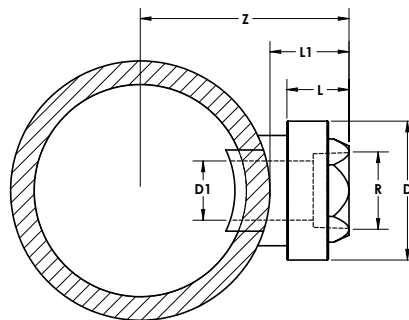


| New Part No. (NPT) Zero-lead (potable) brass | Old Part No. (NPT) Zero-lead (potable) brass | New Part No. (ISO) Stainless steel | Old Part No. (ISO) Stainless steel | Dimension<br>pipe x outlet (ND — OD) x thread | r    | d    | d1   | R    | l    | z    | D    | SW   | Weight |
|----------------------------------------------|----------------------------------------------|------------------------------------|------------------------------------|-----------------------------------------------|------|------|------|------|------|------|------|------|--------|
|                                              |                                              |                                    |                                    |                                               | [in] | [in] | [in] | [in] | [in] | [in] | [in] | [in] | [in]   |
| 1030040910                                   | 0628214                                      | 1030040104                         | 0928214                            | 1 ¼" x ½" — 40 x 25 mm x ½" F                 | 0.79 | 0.98 | 0.63 | 0.50 | 1.54 | 1.69 | 1.52 | 0.94 | 0.19   |
| 1030050911                                   | 0628216                                      | 1030050110                         | 0928216                            | 1 ½" x ½" — 50 x 25 mm x ½" F                 | 0.99 | 0.98 | 0.63 | 0.50 | 1.54 | 1.89 | 1.52 | 0.94 | 0.20   |
| 1030063912                                   | 0628218                                      | 1030063116                         | 0928218                            | 2" x ½" — 63 x 25 mm x ½" F                   | 1.24 | 0.98 | 0.63 | 0.50 | 1.54 | 2.15 | 1.52 | 0.94 | 0.20   |
| 1030075913                                   | 0628220                                      | 1030075123                         | 0928220                            | 2 ½" x ½" — 75 x 25 mm x ½" F                 | 1.48 | 0.98 | 0.63 | 0.50 | 1.54 | 2.11 | 1.52 | 0.94 | 0.18   |
| 1030090915                                   | 0628222                                      | 1030090131                         | 0928222                            | 3" x ½" — 90 x 25 mm x ½" F                   | 1.77 | 0.98 | 0.63 | 0.50 | 1.54 | 2.17 | 1.52 | 0.94 | 0.20   |
| 1030110817                                   | 0628224                                      | 1030110139                         | 0928224                            | 3 ½" x ½" — 110 x 25 mm x ½" F                | 2.17 | 0.98 | 0.63 | 0.50 | 1.54 | 3.07 | 1.52 | 0.94 | 0.20   |
| 1030125916                                   | 0628226                                      | 1030125147                         | 0928226                            | 4" x ½" — 125 x 25 mm x ½" F                  | 2.46 | 0.98 | 0.63 | 0.50 | 1.54 | 3.37 | 1.52 | 0.94 | 0.20   |
| 1030160917                                   | 0628230                                      | 1030160155                         | 0928230                            | 6" x ½" — 160 x 25 mm x ½" F                  | 3.15 | 0.98 | 0.63 | 0.50 | 1.54 | 4.06 | 1.52 | 0.94 | 0.20   |
| 1030250918                                   | 0628232                                      | 1030250161                         | 0928232                            | 8 to 10" x ½" — 200 to 250 x 25 mm x ½" F     | 3.94 | 0.98 | 0.63 | 0.50 | 1.54 | 1.50 | 1.52 | 0.94 | 0.20   |
| 1030040919                                   | 0628234                                      | 1030040105                         | 0928234                            | 1 ¼" x ¾" — 40 x 25 mm x ¾" F                 | 0.79 | 0.98 | 0.64 | 0.75 | 1.54 | 1.69 | 1.71 | 1.22 | 0.24   |
| 1030050920                                   | 0628236                                      | 1030050111                         | 0928236                            | 1 ½" x ¾" — 50 x 25 mm x ¾" F                 | 0.99 | 0.98 | 0.64 | 0.75 | 1.54 | 1.95 | 1.71 | 1.22 | 0.24   |
| 1030063921                                   | 0628238                                      | 1030063117                         | 0928238                            | 2" x ¾" — 63 x 25 mm x ¾" F                   | 1.24 | 0.98 | 0.64 | 0.75 | 1.54 | 2.19 | 1.71 | 1.22 | 0.24   |
| 1030075922                                   | 0628240                                      | 1030075124                         | 0928240                            | 2 ½" x ¾" — 75 x 25 mm x ¾" F                 | 1.48 | 0.98 | 0.64 | 0.75 | 1.54 | 2.48 | 1.71 | 1.22 | 0.24   |
| 1030090923                                   | 0628242                                      | 1030090132                         | 0928242                            | 3" x ¾" — 90 x 25 mm x ¾" F                   | 1.77 | 0.98 | 0.64 | 0.75 | 1.54 | 2.87 | 1.71 | 1.22 | 0.24   |
| 1030110924                                   | 0628244                                      | 1030110140                         | 0928244                            | 3 ½" x ¾" — 110 x 25 mm x ¾" F                | 2.17 | 0.98 | 0.64 | 0.75 | 1.54 | 3.17 | 1.71 | 1.22 | 0.24   |
| 1030125926                                   | 0628246                                      | 1030125148                         | 0928246                            | 4" x ¾" — 125 x 25 mm x ¾" F                  | 2.46 | 0.98 | 0.64 | 0.75 | 1.54 | 3.78 | 1.71 | 1.22 | 0.25   |
| 1030160826                                   | 0628250                                      | 1030160156                         | 0928250                            | 6" x ¾" — 160 x 25 mm x ¾" F                  | 3.15 | 0.98 | 0.64 | 0.75 | 1.54 | 2.30 | 1.71 | 1.22 | 0.25   |
| 1030250927                                   | 0628254                                      | 1030250162                         | 0928254                            | 8 to 10" x ¾" — 200 to 250 x 25 mm x ¾" F     | 3.94 | 0.98 | 0.64 | 0.75 | 1.54 | 2.60 | 1.71 | 1.22 | 0.25   |
| (NPT)                                        |                                              |                                    |                                    |                                               |      |      |      |      |      |      |      |      |        |
| 1030075928                                   | 0628260                                      | 1030075986                         | 1128260                            | 2 ½" x 1" — 75 x 32 mm x 1" F                 | 1.48 | 1.26 | 0.82 | 1.00 | 1.69 | 2.99 | 2.36 | 1.54 | 0.49   |
| 1030090929                                   | 0628262                                      | 1030090987                         | 1128262                            | 3" x 1" — 90 x 32 mm x 1" F                   | 1.77 | 1.26 | 0.82 | 1.00 | 1.69 | 3.29 | 2.36 | 1.54 | 0.49   |
| 1030110930                                   | 0628264                                      | -                                  | -                                  | 3 ½" x 1" — 110 x 32 mm x 1" F                | 2.17 | 1.26 | 0.82 | 1.00 | 1.69 | 3.98 | 2.36 | 1.54 | 0.49   |
| 1030125931                                   | 0628266                                      | 1030125988                         | 1128266                            | 4" x 1" — 125 x 32 mm x 1" F                  | 2.46 | 1.26 | 0.82 | 1.00 | 1.69 | 4.84 | 2.36 | 1.54 | 0.49   |
| 1030160832                                   | 0628270                                      | 1030160989                         | 1128270                            | 6" x 1" — 160 x 32 mm x 1" F                  | 3.15 | 1.26 | 0.82 | 1.00 | 1.69 | 4.65 | 2.36 | 1.54 | 0.50   |
| 1030250933                                   | 0628274                                      | 1030250990                         | 1128274                            | 8 to 10" x 1" — 200 to 250 x 32 mm x 1" F     | 3.94 | 1.26 | 0.82 | 1.00 | 1.69 | 4.76 | 2.36 | 1.54 | 0.54   |

# PRODUCT RANGE - TRANSITION FITTINGS

## aquatherm FLOW METER WELL

May also be used for thermometer well. Other sizes are readily available upon request. Additional sizes and combinations are available. Contact Aquatherm for availability and cost.

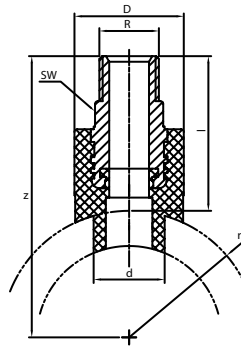


| New Part No.<br>(NPT) Zero-lead<br>(potable) brass | Old Part No.<br>(NPT) Zero-lead<br>(potable) brass | New Part No.<br>(ISO)Stainless<br>steel | Old Part No.<br>(ISO) Stainless<br>steel | Dimension<br>pipe x thread | L    | L1   | R    | D    | D1   | Z    | Weight |
|----------------------------------------------------|----------------------------------------------------|-----------------------------------------|------------------------------------------|----------------------------|------|------|------|------|------|------|--------|
|                                                    |                                                    |                                         |                                          |                            | [in] | [in] | [in] | [in] | [in] | [in] | [lb]   |
| 9790628480                                         | 0628480                                            | 9791128480                              | 1128480                                  | 2" x 1¼" F                 | 1.68 | 2.21 | 1.25 | 2.91 | 1.14 | 3.69 | 0.81   |
| 9790628481                                         | 0628481                                            | 9791128481                              | 1128481                                  | 2 ½" x 1¼" F               | 1.68 | 2.21 | 1.25 | 2.91 | 1.14 | 3.69 | -      |
| 9790628482                                         | 0628482                                            | 9791128482                              | 1128482                                  | 3" x 1¼" F                 | 1.68 | 2.21 | 1.25 | 2.91 | 1.14 | 3.98 | -      |
| 9790628483                                         | 0628483                                            | 9791128483                              | 1128483                                  | 3 ½" x 1¼" F               | 1.68 | 2.21 | 1.25 | 2.91 | 1.14 | 4.38 | -      |
| 9790628484                                         | 0628484                                            | 9791128484                              | 1128484                                  | 4" x 1¼" F                 | 1.68 | 2.21 | 1.25 | 2.91 | 1.14 | 4.67 | -      |
| 9790628485                                         | 0628485                                            | 9791128485                              | 1128485                                  | 6" x 1¼" F                 | 1.68 | 2.21 | 1.25 | 2.91 | 1.14 | 5.36 | -      |
| 9790628486                                         | 0628486                                            | 9791128486                              | 1128486                                  | 8" x 1¼" F                 | 1.68 | 2.21 | 1.25 | 2.91 | 1.14 | 6.15 | -      |
| 9790628487                                         | 0628487                                            | 9791128487                              | 1128487                                  | 10" x 1¼" F                | 1.68 | 2.21 | 1.25 | 2.91 | 1.14 | 7.13 | -      |
| 9790628500                                         | 0628500                                            | 9791128500                              | 1128500                                  | 4" x 1½" F                 | 1.72 | 2.13 | 1.50 | 3.38 | 1.44 | 4.59 | 0.89   |
| 9790628501                                         | 0628501                                            | 9791128501                              | 1128501                                  | 6" x 1½" F                 | 1.72 | 2.13 | 1.50 | 3.38 | 1.44 | 5.28 | -      |
| 9790628502                                         | 0628502                                            | 9791128502                              | 1128502                                  | 8" x 1½" F                 | 1.72 | 2.13 | 1.50 | 3.38 | 1.44 | 6.07 | -      |
| 9790628503                                         | 0628503                                            | 9791128503                              | 1128503                                  | 10" x 1½" F                | 1.72 | 2.13 | 1.50 | 3.38 | 1.44 | 7.05 | -      |
| 9790628520                                         | 0628520                                            | 9791128520                              | 1128520                                  | 4" x 2" F                  | 1.88 | 2.36 | 2.00 | 3.88 | 1.81 | 4.82 | 1.21   |
| 9790628521                                         | 0628521                                            | 9791128521                              | 1128521                                  | 6" x 2" F                  | 1.88 | 2.36 | 2.00 | 3.88 | 1.81 | 5.51 | -      |
| 9790628522                                         | 0628522                                            | 9791128522                              | 1128522                                  | 8" x 2" F                  | 1.88 | 2.34 | 2.00 | 3.88 | 1.81 | 6.28 | -      |
| 9790628523                                         | 0628523                                            | 9791128523                              | 1128523                                  | 10" x 2" F                 | 1.88 | 2.34 | 2.00 | 3.88 | 1.81 | 7.26 | -      |
| 9790628524                                         | 0628524                                            | 9791128524                              | 1128524                                  | 12" to 14" x 2" F          | 1.88 | 2.34 | 2.00 | 3.88 | 1.81 | 8.54 | -      |
| 9790628525                                         | 0628525                                            | 9791128525                              | 1128525                                  | 16" to 24" x 2" F          | 1.88 | 4.24 | 2.00 | 3.88 | 1.81 | 12.2 | -      |

# PRODUCT RANGE - TRANSITION FITTINGS

## aquatherm NPT FUSION OUTLET (male)

Includes hex-shaped male thread, weld-in surface and weld-in socket for fusion with the inner wall of the pipe. The necessary fusion outlet heads are listed on pages 59-60 (part no. 0050614 - 0050744).

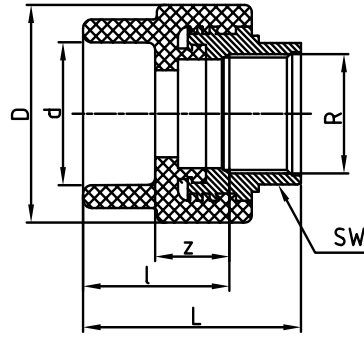


| New Part No.<br>(NPT) Zero-lead<br>(potable)<br>brass | Old Part No.<br>(NPT) Zero-lead<br>(potable)<br>brass | Dimension<br>pipe x outlet (ND — OD) x thread | r    | d    | l    | z    | D    | R    | SW   | Weight |
|-------------------------------------------------------|-------------------------------------------------------|-----------------------------------------------|------|------|------|------|------|------|------|--------|
|                                                       |                                                       |                                               | [in] | [in] | [in] | [in] | [in] | [in] | [in] | [in]   |
| 1030040934                                            | 0628314                                               | 1 ¼" x ¾" — 40 x 25 mm x ½" M                 | 0.79 | 0.98 | 2.17 | 2.95 | 1.52 | 0.50 | 0.83 | 0.19   |
| 1030050935                                            | 0628316                                               | 1 ½" x ¾" — 50 x 25 mm x ½" M                 | 0.99 | 0.98 | 2.17 | 3.15 | 1.52 | 0.50 | 0.83 | 0.20   |
| 1030063936                                            | 0628318                                               | 2" x ¾" — 63 x 25 mm x ½" M                   | 1.24 | 0.98 | 2.17 | 3.41 | 1.52 | 0.50 | 0.83 | 0.20   |
| 1030075937                                            | 0628320                                               | 2 ½" x ¾" — 75 x 25 mm x ½" M                 | 1.48 | 0.98 | 2.17 | 3.64 | 1.52 | 0.50 | 0.83 | 0.21   |
| 1030075938                                            | 0628322                                               | 3" x ¾" — 90 x 25 mm x ½" M                   | 1.77 | 0.98 | 2.17 | 3.94 | 1.52 | 0.50 | 0.83 | 0.20   |
| 1030110939                                            | 0628324                                               | 3 ½" x ¾" — 110 x 25 mm x ½" M                | 2.17 | 0.98 | 2.17 | 4.33 | 1.52 | 0.50 | 0.83 | 0.20   |
| 1030025940                                            | 0628326                                               | 4" x ¾" — 125 x 25 mm x ½" M                  | 2.46 | 0.98 | 2.17 | 4.63 | 1.52 | 0.50 | 0.83 | 0.20   |
| 1030160941                                            | 0628330                                               | 6" x ¾" — 160 x 25 mm x ½" M                  | 3.15 | 0.98 | 2.17 | 5.31 | 1.52 | 0.50 | 0.83 | 0.20   |
| 1030040942                                            | 0628334                                               | 1 ¼" x ¾" — 40 x 25 mm x ¾" M                 | 0.79 | 0.98 | 2.20 | 2.99 | 1.71 | 0.75 | 0.94 | 0.24   |
| 1030050943                                            | 0628336                                               | 1 ½" x ¾" — 50 x 25 mm x ¾" M                 | 0.99 | 0.98 | 2.20 | 3.19 | 1.71 | 0.75 | 0.94 | 0.24   |
| 1030063944                                            | 0628338                                               | 2" x ¾" — 63 x 25 mm x ¾" M                   | 1.24 | 0.98 | 2.20 | 3.44 | 1.71 | 0.75 | 0.94 | 0.24   |
| 1030075945                                            | 0628340                                               | 2 ½" x ¾" — 75 x 25 mm x ¾" M                 | 1.48 | 0.98 | 2.20 | 3.68 | 1.71 | 0.75 | 0.94 | 0.24   |
| 1030090946                                            | 0628342                                               | 3" x ¾" — 90 x 25 mm x ¾" M                   | 1.77 | 0.98 | 2.20 | 3.98 | 1.71 | 0.75 | 0.94 | 0.24   |
| 1030110947                                            | 0628344                                               | 3 ½" x ¾" — 110 x 25 mm x ¾" M                | 2.17 | 0.98 | 2.20 | 4.37 | 1.71 | 0.75 | 0.94 | 0.24   |
| 1030125948                                            | 0628346                                               | 4" x ¾" — 125 x 25 mm x ¾" M                  | 2.46 | 0.98 | 2.20 | 4.67 | 1.71 | 0.75 | 0.94 | 0.25   |
| 1030160949                                            | 0628350                                               | 6" x ¾" — 160 x 25 mm x ¾" M                  | 3.15 | 0.98 | 2.20 | 5.35 | 1.71 | 0.75 | 0.94 | 0.25   |

# PRODUCT RANGE - TRANSITION FITTINGS

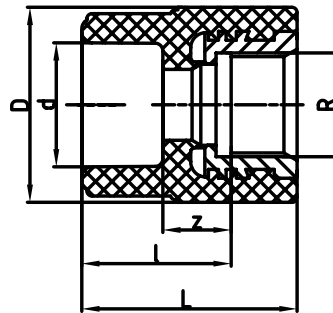
## aquatherm NPT TRANSITION PIECE (female)

With hex-shaped threaded transition.



| New Part No.<br>(NPT) Zero-lead<br>(potable) brass | Old Part No.<br>(NPT) Zero-lead<br>(potable) brass | New Part No.<br>(ISO)Stainless<br>steel | Old Part No.<br>(ISO) Stainless<br>steel | Dimension<br>PP-R (ND — OD) x thread | d    | R    | l    | z    | D    | L    | SW   | Weight |
|----------------------------------------------------|----------------------------------------------------|-----------------------------------------|------------------------------------------|--------------------------------------|------|------|------|------|------|------|------|--------|
|                                                    |                                                    |                                         |                                          |                                      | [in] | [in] | [in] | [in] | [in] | [in] | [in] | [lb]   |
| 1070020915                                         | 0621108                                            | -                                       | -                                        | (½" — 20 mm) x ½" F                  | 0.79 | 0.50 | 1.36 | 0.79 | 1.48 | 1.99 | 0.94 | 0.17   |
| 1070020916                                         | 0621110                                            | -                                       | -                                        | (½" — 20 mm) x ¾" F                  | 0.79 | 0.75 | 1.14 | 0.57 | 1.71 | 1.97 | 1.22 | 0.25   |
| 1070025917                                         | 0621111                                            | -                                       | -                                        | (¾" — 25 mm) x ½" F                  | 0.98 | 0.50 | 1.42 | 0.79 | 1.48 | 2.05 | 0.94 | 0.20   |
| 1070025918                                         | 0621112                                            | -                                       | -                                        | (¾" — 25 mm) x ¾" F                  | 0.98 | 0.75 | 1.14 | 0.51 | 1.71 | 1.97 | 1.22 | 0.24   |
| 1070032919                                         | 0621113                                            | -                                       | -                                        | (1" — 32 mm) x ¾" F                  | 1.26 | 0.75 | 1.26 | 0.55 | 1.71 | 2.09 | 1.22 | 0.25   |
| (NPT)                                              |                                                    |                                         |                                          |                                      |      |      |      |      |      |      |      |        |
| 1070032920                                         | 0621114                                            | 1070032968                              | 1121114                                  | (1" — 32 mm) x 1" F                  | 1.26 | 1.00 | 1.48 | 0.77 | 2.36 | 2.34 | 1.54 | 0.53   |
| 1070040921                                         | 0621115                                            | 1070040969                              | 1121115                                  | (1 ¼" — 40 mm) x 1" F                | 1.57 | 1.00 | 1.57 | 0.77 | 2.36 | 2.44 | 1.54 | 0.50   |
| 1070040922                                         | 0621116                                            | -                                       | 1121116                                  | (1 ¼" — 40 mm) x 1 ¼" F              | 1.57 | 1.25 | 1.57 | 0.77 | 2.91 | 2.48 | 1.97 | 0.85   |
| 1070050923                                         | 0621117                                            | 1070050970                              | 1121117                                  | (1 ½" — 50 mm) x 1 ¼" F              | 1.97 | 1.25 | 1.69 | 0.77 | 2.91 | 2.60 | 1.97 | 0.89   |
| 1070050924                                         | 0621118                                            | 1070050971                              | 1121118                                  | (1 ½" — 50 mm) x 1 ½" F              | 1.97 | 1.50 | 1.77 | 0.85 | 3.37 | 2.64 | 2.17 | 0.92   |
| 1070063925                                         | 0621119                                            | 1070063972                              | 1121119                                  | (2" — 63 mm) x 1 ½" F                | 2.48 | 1.50 | 2.03 | 0.94 | 3.31 | 2.89 | 2.17 | 0.97   |
| 1070063926                                         | 0621120                                            | 1070063973                              | 1121120                                  | (2" — 63 mm) x 2" F                  | 2.48 | 2.00 | 2.01 | 0.93 | 3.98 | 3.03 | 2.64 | 1.32   |
| 1070075927                                         | 0621122                                            | -                                       | -                                        | (2 ½" — 75 mm) x 2" F                | 2.95 | 2.00 | 2.01 | 0.83 | 3.94 | 3.03 | 2.64 | 1.34   |

## aquatherm TRANSITION PIECE round (female)



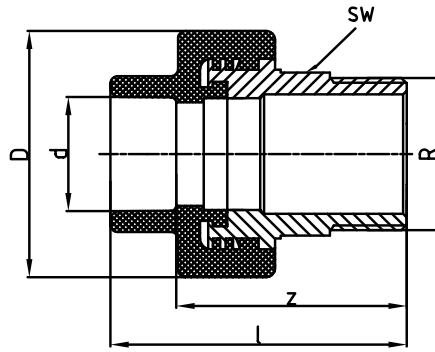
| New Part No.<br>(NPT) Zero-lead<br>(potable) brass | Old Part No.<br>(NPT) Zero-lead<br>(potable) brass | New Part No.<br>(ISO)Stainless<br>steel | Old Part No.<br>(ISO) Stainless<br>steel | Dimension<br>PP-R (ND — OD) x thread | d    | R    | l    | z    | D    | L    | Weight |
|----------------------------------------------------|----------------------------------------------------|-----------------------------------------|------------------------------------------|--------------------------------------|------|------|------|------|------|------|--------|
|                                                    |                                                    |                                         |                                          |                                      | [in] | [in] | [in] | [in] | [in] | [in] | [lb]   |
| 1070020910                                         | 0621008                                            | 1070020060                              | 0921008                                  | (½" — 20 mm) x ½" F                  | 0.79 | 0.50 | 1.08 | 0.51 | 1.48 | 1.59 | 0.14   |
| 1070020911                                         | 0621010                                            | 1070020061                              | 0921010                                  | (½" — 20 mm) x ¾" F                  | 0.79 | 0.75 | 1.08 | 0.51 | 1.71 | 1.59 | 0.20   |
| 1070025912                                         | 0621011                                            | 1070025062                              | 0921011                                  | (¾" — 25 mm) x ½" F                  | 0.98 | 0.50 | 1.59 | 0.51 | 1.48 | 1.65 | 0.14   |
| 1070025913                                         | 0621012                                            | 1070025063                              | 0921012                                  | (¾" — 25 mm) x ¾" F                  | 0.98 | 0.75 | 1.08 | 0.45 | 1.71 | 1.59 | 0.19   |
| 1070032914                                         | 0621013                                            | 1070032064                              | 0921013                                  | (1" — 32 mm) x ¾" F                  | 1.26 | 0.75 | 1.20 | 0.49 | 1.71 | 1.71 | 0.20   |



# PRODUCT RANGE - TRANSITION FITTINGS

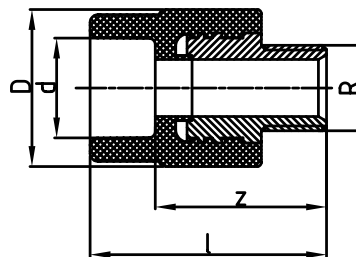
## aquatherm NPT TRANSITION PIECE (male)

With hex-shaped threaded transition.



| New Part No.<br>(NPT) Zero-lead<br>(potable) brass | Old Part No.<br>(NPT) Zero-lead<br>(potable) brass | Dimension<br>PP-R (ND — OD) x thread | d    | R    | l    | z    | D    | SW   | Weight |
|----------------------------------------------------|----------------------------------------------------|--------------------------------------|------|------|------|------|------|------|--------|
|                                                    |                                                    |                                      | [in] | [in] | [in] | [in] | [in] | [in] | [lb]   |
| 1070020833                                         | 0621308                                            | (½" — 20 mm) x ½" M                  | 0.79 | 0.50 | 2.62 | 2.05 | 1.52 | 0.87 | 0.23   |
| 1070020834                                         | 0621310                                            | (½" — 20 mm) x ¾" M                  | 0.79 | 0.75 | 2.66 | 2.09 | 1.52 | 0.94 | 0.28   |
| 1070025835                                         | 0621312                                            | (¾" — 25 mm) x ¾" M                  | 0.98 | 0.75 | 2.66 | 2.03 | 1.52 | 0.94 | 0.23   |
| 1070032936                                         | 0621314                                            | (1" — 32 mm) x 1" M                  | 1.26 | 1.00 | 3.09 | 2.38 | 2.09 | 1.18 | 0.48   |
| 1070032837                                         | 0621316                                            | (1" — 32 mm) x 1 ¼" M                | 1.26 | 1.25 | 3.19 | 2.48 | 2.68 | 1.61 | 0.70   |
| 1070040938                                         | 0621317                                            | (1 ¼" — 40 mm) x 1" M                | 1.57 | 1.00 | 3.19 | 2.38 | 2.05 | 1.18 | 0.49   |
| 1070040939                                         | 0621318                                            | (1 ¼" — 40 mm) x 1 ¼" M              | 1.57 | 1.25 | 3.33 | 2.52 | 2.68 | 1.61 | 0.71   |
| 1070050940                                         | 0621319                                            | (1 ½" — 50 mm) x 1 ¼" M              | 1.97 | 1.25 | 3.37 | 2.44 | 2.68 | 1.61 | 0.77   |
| 1070050941                                         | 0621320                                            | (1 ½" — 50 mm) x 1 ½" M              | 1.97 | 1.50 | 3.48 | 2.56 | 2.91 | 1.81 | 0.94   |
| 1070063942                                         | 0621321                                            | (2" — 63 mm) x 1 ½" M                | 2.48 | 1.50 | 3.72 | 2.64 | 2.85 | 1.81 | 1.03   |
| 1070063943                                         | 0621322                                            | (2" — 63 mm) x 2" M                  | 2.48 | 2.00 | 4.04 | 2.95 | 3.31 | 1.97 | 1.51   |
| 1070075944                                         | 0621323                                            | (2 ½" — 75 mm) x 2" M                | 2.95 | 2.00 | 4.02 | 2.83 | 3.31 | 1.97 | 1.61   |
| 1070075945                                         | 0621324                                            | (2 ½" — 75 mm) x 2 ½" M              | 2.95 | 2.50 | 4.13 | 2.95 | 3.94 | 2.56 | 2.14   |
| 1070090946                                         | 0621325                                            | (3" — 90 mm) x 3" M                  | 3.54 | 3.00 | 4.76 | 3.46 | 4.72 | 3.35 | 2.92   |
| 1070110947                                         | 0621327                                            | (3 ½" — 110 mm) x 4" M               | 4.33 | 4.00 | 5.83 | 4.37 | 5.79 | 4.13 | 6.02   |

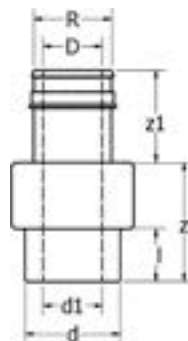
## aquatherm TRANSITION PIECE round (male)



| New Part No.<br>(NPT) Zero-lead<br>(potable) brass | Old Part No.<br>(NPT) Zero-lead<br>(potable) brass | New Part No.<br>(ISO)Stainless<br>steel | Old Part No.<br>(ISO) Stainless<br>steel | Dimension<br>PP-R (ND — OD) x thread | d    | R    | l    | z    | D    | Weight |
|----------------------------------------------------|----------------------------------------------------|-----------------------------------------|------------------------------------------|--------------------------------------|------|------|------|------|------|--------|
|                                                    |                                                    |                                         |                                          |                                      | [in] | [in] | [in] | [in] | [in] | [lb]   |
| 1070020928                                         | 0621208                                            | 1070020074                              | 0921208                                  | (½" — 20 mm) x ½" M                  | 0.79 | 0.50 | 2.22 | 1.65 | 1.52 | 0.19   |
| 1070020929                                         | 0621210                                            | 1070020075                              | 0921210                                  | (½" — 20 mm) x ¾" M                  | 0.79 | 0.75 | 2.26 | 1.69 | 1.52 | 0.24   |
| 1070025930                                         | 0621211                                            | 1070025076                              | 0921211                                  | (¾" — 25 mm) x ½" M                  | 0.98 | 0.50 | 2.28 | 1.65 | 1.52 | 0.22   |
| 1070025931                                         | 0621212                                            | 1070025077                              | 0921212                                  | (¾" — 25 mm) x ¾" M                  | 0.98 | 0.75 | 2.26 | 1.63 | 1.52 | 0.20   |
| 1070032932                                         | 0621213                                            | 1070032078                              | 0921213                                  | (1" — 32 mm) x ¾" M                  | 1.26 | 0.75 | 2.34 | 1.63 | 1.69 | 0.25   |

**aquatherm PEX ADAPTER (EXPANSION)**

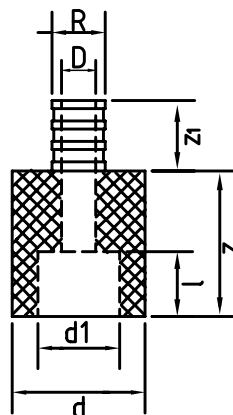
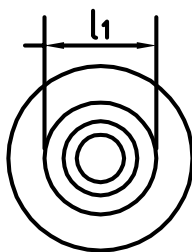
Built to ASTM F1960 standard with PP-R street connection. The brass in this fitting meets the zero-lead (<0.25%) potable water requirement.



| New Part No.<br>(NPT) Zero-lead (potable) brass | Old Part No.<br>(NPT) Zero-lead (potable) brass | Dimension<br>(ND — OD)    | d    | R    | l    | z    | D    | z1   | d1   | Weight |
|-------------------------------------------------|-------------------------------------------------|---------------------------|------|------|------|------|------|------|------|--------|
|                                                 |                                                 |                           | [in] | [in] | [in] | [in] | [in] | [in] | [in] | [lb]   |
| 1070020006                                      | 0098840                                         | ½" (20 mm) PP-R to ½" PEX | 0.79 | 0.61 | 0.42 | 1.15 | 0.38 | 0.73 | 0.52 | 0.09   |
|                                                 | 0098841                                         | ¾" (25 mm) PP-R to ¾" PEX | 0.98 | 0.87 | 0.49 | 1.20 | 0.60 | 0.96 | 0.65 | 0.13   |
| 1070032005                                      | 0098842                                         | 1" (32 mm) PP-R to 1" PEX | 1.26 | 1.00 | 0.69 | 1.56 | 0.80 | 1.20 | 0.83 | 0.21   |

**aquatherm PEX ADAPTER (CRIMP)**

Built to ASTM F1807 standard with PP-R socket connection. The brass in this fitting meets the zero-lead (<0.25%) potable water requirement.

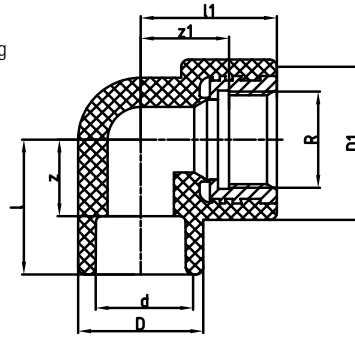


| New Part No.<br>(NPT) Zero-lead (potable) brass | Old Part No.<br>(NPT) Zero-lead (potable) brass | Dimension<br>(ND — OD)    | d    | R    | l    | z    | D    | l1   | z1   | d1   | Weight |
|-------------------------------------------------|-------------------------------------------------|---------------------------|------|------|------|------|------|------|------|------|--------|
|                                                 |                                                 |                           | [in] | [in] | [in] | [in] | [in] | [in] | [in] | [in] | [lb]   |
| 1070020012                                      | 0098840                                         | ½" (20 mm) PP-R to ½" PEX | 1.13 | 0.47 | 0.63 | 1.25 | 0.35 | 0.75 | 0.63 | 0.75 | 0.09   |
| 1070025009                                      | 0098841                                         | ¾" (25 mm) PP-R to ¾" PEX | 1.38 | 0.67 | 0.63 | 1.38 | 0.53 | 1.00 | 0.63 | 0.88 | 0.13   |
| 1070032010                                      | 0098842                                         | 1" (32 mm) PP-R to 1" PEX | 1.75 | 0.86 | 0.88 | 1.63 | 0.71 | 1.25 | 0.80 | 1.25 | 0.21   |

# PRODUCT RANGE - TRANSITION FITTINGS

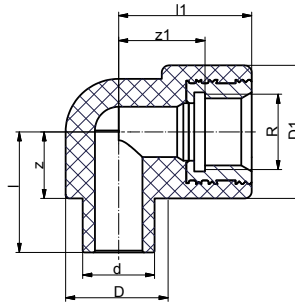
## aquatherm TRANSITION ELBOW (female)

Built to ASTM F1807 standard with PP-R socket connection. The brass in this fitting meets the zero-lead (<0.25%) potable water requirement.



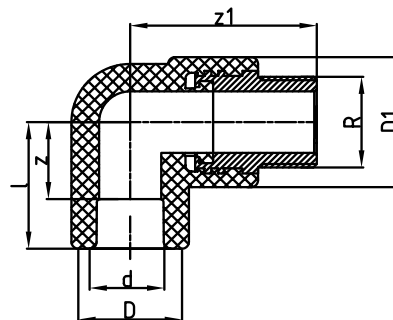
| New Part No. (NPT)<br>Zero-lead (potable) brass | Old Part No. (NPT)<br>Zero-lead (potable) brass | New Part No. (ISO)<br>Stainless steel | Old Part No. (ISO)<br>Stainless steel | Dimension<br>PP-R (ND — OD) x thread | d    | R    | l    | z    | D    | l1   | z1   | D1   | Weight |
|-------------------------------------------------|-------------------------------------------------|---------------------------------------|---------------------------------------|--------------------------------------|------|------|------|------|------|------|------|------|--------|
|                                                 |                                                 |                                       |                                       |                                      | [in] | [in] | [in] | [in] | [in] | [in] | [in] | [in] | [in]   |
| 1070020950                                      | 0623008                                         | 1070020110                            | 0923008                               | (½" — 20 mm) x ¾" F                  | 0.79 | 0.75 | 1.46 | 0.89 | 1.34 | 1.46 | 0.94 | 1.73 | 0.22   |
| 1070020951                                      | 0623010                                         | 1070020111                            | 0923010                               | (½" — 20 mm) x ½" F                  | 0.79 | 0.50 | 1.24 | 0.67 | 1.16 | 1.24 | 0.73 | 1.46 | 0.17   |
| 1070025952                                      | 0623012                                         | 1070025112                            | 0923012                               | (¾" — 25 mm) x ¾" F                  | 0.98 | 0.75 | 1.46 | 0.83 | 1.34 | 1.46 | 0.94 | 1.73 | 0.22   |
| 1070025953                                      | 0623014                                         | 1070025113                            | 0923014                               | (¾" — 25 mm) x ½" F                  | 0.98 | 0.50 | 1.34 | 0.71 | 1.34 | 1.46 | 0.94 | 1.46 | 0.17   |
| 1070032954                                      | 0623016                                         | 1070032115                            | 0923016                               | (1" — 32 mm) x ¾" F                  | 1.26 | 0.75 | 1.08 | 0.37 | 1.69 | 2.01 | 1.50 | 1.73 | 0.23   |
| (NPT)                                           |                                                 |                                       |                                       |                                      |      |      |      |      |      |      |      |      |        |
| 1070032955                                      | 0623018                                         | 1070032974                            | 1123018                               | (1" — 32 mm) x 1" F                  | 1.26 | 1.00 | 1.34 | 0.63 | 1.69 | 2.62 | 1.75 | 2.37 | 0.55   |

## aquatherm NPT TRANSITION STREET ELBOW (male/female)



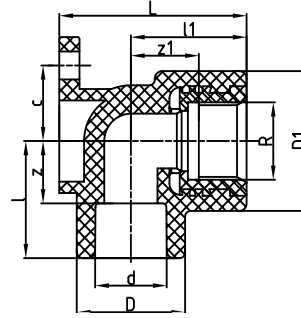
| New Part no.<br>Zero-lead (potable) brass | Old Part No.<br>(NPT) Zero-lead (potable) brass | Dimension<br>PP-R (ND — OD) x thread | d    | R    | l    | z    | D    | l1   | z1   | D1   | Weight |
|-------------------------------------------|-------------------------------------------------|--------------------------------------|------|------|------|------|------|------|------|------|--------|
|                                           |                                                 |                                      | [in] | [in] | [in] | [in] | [in] | [in] | [in] | [in] | [in]   |
| 1070020856                                | 0623208                                         | (½" — 20 mm) x ½" F                  | 0.79 | 0.50 | 1.32 | 0.73 | 1.16 | 1.46 | 0.94 | 1.46 | 0.17   |

## aquatherm TRANSITION ELBOW (PP socket x DIN 2999 thread)



| New Part no.<br>Zero-lead (potable) brass | Old Part No.<br>(NPT) Zero-lead (potable) brass | New Part No.<br>(ISO) Stainless steel | Old Part No.<br>(ISO) Stainless steel | Dimension<br>PP-R (ND — OD) x thread | d    | R    | l    | z    | D    | z1   | D1   | Weight |
|-------------------------------------------|-------------------------------------------------|---------------------------------------|---------------------------------------|--------------------------------------|------|------|------|------|------|------|------|--------|
|                                           |                                                 |                                       |                                       |                                      | [in] | [in] | [in] | [in] | [in] | [in] | [in] | [in]   |
| 1070020957                                | 0623506                                         | 1070020117                            | 0923506                               | (½" — 20 mm) x R ½                   | 0.79 | 0.50 | 1.24 | 0.67 | 1.16 | 2.09 | 1.46 | 0.24   |
| 1070020958                                | 0623508                                         | 1070020118                            | 0923508                               | (½" — 20 mm) x R ¾                   | 0.79 | 0.75 | 1.46 | 0.89 | 1.34 | 2.13 | 1.50 | 0.28   |
| 1070025959                                | 0623510                                         | 1070025119                            | 0923510                               | (¾" — 25 mm) x R ¾                   | 0.98 | 0.75 | 1.46 | 0.83 | 1.34 | 2.13 | 1.50 | 0.23   |
| 1070032860                                | 0623512                                         | 1070032120                            | 0923512                               | (1" — 32 mm) x R ¾                   | 1.26 | 0.75 | 1.08 | 0.37 | 1.69 | 2.68 | 1.50 | 0.25   |
| 1070032961                                | 0623514                                         | -                                     | -                                     | (1" — 32 mm) x R 1                   | 1.26 | 1.00 | 1.22 | 0.51 | 1.69 | 3.37 | 2.05 | 0.51   |

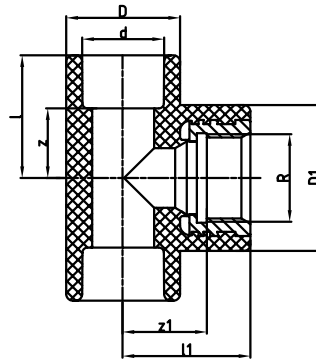
aquatherm DROP EAR 90



| New Part No. (NPT)<br>Zero-lead (potable) brass | Old Part No. (NPT)<br>Zero-lead (potable) brass | New Part No. (ISO)<br>Stainless steel | Old Part No. (ISO)<br>Stainless steel | Dimension<br>PP-R (ND — OD) x thread | d    | R    | l    | z    | D    | l1   | z1   | D1   | L    | c    | Weight |
|-------------------------------------------------|-------------------------------------------------|---------------------------------------|---------------------------------------|--------------------------------------|------|------|------|------|------|------|------|------|------|------|--------|
|                                                 |                                                 |                                       |                                       |                                      | [in] | [in] | [in] | [in] | [in] | [in] | [in] | [in] | [in] | [in] | [in]   |
| 1090020900                                      | 0620108                                         | 1090020070                            | 0920108                               | (½" — 20 mm) x ½" F                  | 0.79 | 0.50 | 1.22 | 0.65 | 1.16 | 1.24 | 0.61 | 1.46 | 2.01 | 0.79 | 0.17   |
| 1090020901                                      | 0620110                                         | 1090020071                            | 0920110                               | (½" — 20 mm) x ¾" F                  | 0.79 | 0.75 | 1.46 | 0.89 | 1.34 | 1.46 | 0.94 | 1.73 | 2.13 | 0.98 | 0.23   |
| 1090025902                                      | 0620112                                         | 1090025072                            | 0920112                               | (¾" — 25 mm) x ¾" F                  | 0.98 | 0.75 | 1.46 | 0.83 | 1.34 | 1.46 | 0.94 | 1.73 | 2.13 | 0.98 | 0.23   |
| 1090025903                                      | 0620113                                         | 1090025073                            | 0920113                               | (¾" — 25 mm) x ½" F                  | 0.98 | 0.50 | 1.32 | 0.69 | 1.34 | 1.22 | 0.59 | 1.46 | 2.09 | 0.79 | 0.18   |

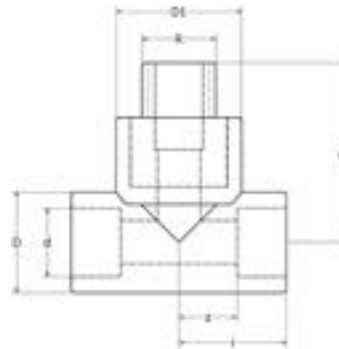
# PRODUCT RANGE - TRANSITION FITTINGS

## aquatherm TRANSITION TEE (female)



| New Part No.<br>(NPT) Zero-lead<br>(potable) brass | Old Part No.<br>(NPT) Zero-lead<br>(potable) brass | New Part No. (ISO)<br>Stainless steel | Old Part No. (ISO)<br>Stainless steel | Dimension<br>PP-R (ND — OD) x thread   | d    | R    | l    | z    | D    | l1   | z1   | D1   | Weight<br>[lb] |
|----------------------------------------------------|----------------------------------------------------|---------------------------------------|---------------------------------------|----------------------------------------|------|------|------|------|------|------|------|------|----------------|
|                                                    |                                                    |                                       |                                       |                                        | [in] | [in] | [in] | [in] | [in] | [in] | [in] | [in] |                |
| 1060020910                                         | 0625006                                            | 1060020160                            | 0925006                               | (½" — 20 mm) x (½" — 20 mm) x ½" F     | 0.79 | 0.50 | 1.24 | 0.67 | 1.16 | 1.46 | 0.94 | 1.46 | 0.19           |
| 1060020911                                         | 0625008                                            | 1060020161                            | 0925008                               | (½" — 20 mm) x (½" — 20 mm) x ¾" F     | 0.79 | 0.75 | 1.46 | 0.89 | 1.34 | 1.50 | 0.98 | 1.73 | 0.27           |
| 1060025912                                         | 0625010                                            | 1060025162                            | 0925010                               | (¾" — 25 mm) x (¾" — 25 mm) x ½" F     | 0.98 | 0.50 | 1.34 | 0.71 | 1.34 | 1.50 | 0.98 | 1.46 | 0.20           |
| 1060025913                                         | 0625012                                            | 1060025163                            | 0925012                               | (¾" — 25 mm) x (¾" — 25 mm) x ¾" F     | 0.98 | 0.75 | 1.46 | 0.83 | 1.34 | 1.50 | 0.98 | 1.73 | 0.24           |
| 1060032914                                         | 0625014                                            | 1060032165                            | 0925014                               | (1" — 32 mm) x (1" — 32 mm) x ¾" F     | 1.26 | 0.75 | 1.08 | 0.37 | 1.69 | 2.01 | 1.50 | 1.73 | 0.24           |
| (NPT)                                              |                                                    |                                       |                                       |                                        |      |      |      |      |      |      |      |      |                |
| 1060032915                                         | 0625016                                            | 1060032012                            | 1125016                               | (1" — 32 mm) x (1" — 32 mm) x 1" F     | 1.26 | 1.00 | 1.22 | 0.53 | 1.69 | 2.64 | 1.93 | 2.36 | 0.56           |
|                                                    | -                                                  | 1060050916                            | -                                     | (1 ½" — 50 mm) x (1 ½" — 50 mm) x 1" F | 1.97 | 1.00 | 1.95 | 1.02 | 2.68 | 2.50 | 1.71 | 2.68 | 0.85           |

## aquatherm NPT TRANSITION TEE (male)



| New Part no.<br>Zero-lead<br>(potable) brass | Old Part No.<br>(NPT) Zero-lead<br>(potable) brass | Dimension<br>(ND — OD)             | d    | R    | l    | z    | D    | z1   | D1   | Weight<br>[lb] |
|----------------------------------------------|----------------------------------------------------|------------------------------------|------|------|------|------|------|------|------|----------------|
|                                              |                                                    |                                    | [in] | [in] | [in] | [in] | [in] | [in] | [in] |                |
| 1060020917                                   | 0625506                                            | (½" — 20 mm) x ½" M x (½" — 20 mm) | 0.79 | 0.50 | 1.24 | 0.67 | 1.16 | 2.09 | 1.46 | 0.23           |

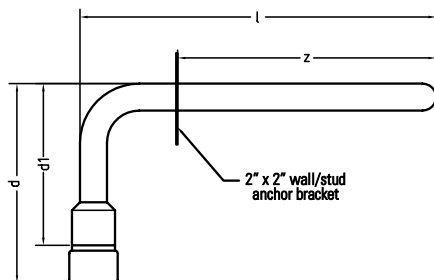
## PRODUCT RANGE - TRANSITION FITTINGS

### aquatherm 90 STUB OUT (PP-R TO COPPER)

Note: These fittings are combination of a custom Aquatherm PP-R socket with a gasket and copper stub added by Sioux Chief Manufacturing.

Note: Stub-outs should ONLY be used as termination fittings in plumbing systems, such as connections to lavatories and other plumbing fixtures. Stub-outs are NOT intended for continuously flowing systems or use in HVAC/hydronic systems.

Note 3: The copper portion, gasket and resulting copper/PP connection are NOT covered by the Aquatherm warranty.



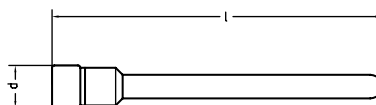
| New Part No. | Old Part No. | Dimension<br>(ND — OD) | d    | d1   | l    | z    | Weight |
|--------------|--------------|------------------------|------|------|------|------|--------|
|              |              |                        | [in] | [in] | [in] | [in] | [lb]   |
| 9794200108   | AQ630P248E   | ½" — 20 mm             | 4.63 | 3.75 | 8.25 | 6.00 | 0.30   |
| 9794200110   | AQ630P368E   | ¾" — 25 mm             | 7.50 | 6.63 | 8.50 | 6.00 | 0.55   |
| 9794200112   | AQ630P41110  | 1" — 32 mm             | 12.3 | 11.3 | 10.5 | 7.50 | 1.10   |

### aquatherm STRAIGHT STUB OUT (PP-R TO COPPER)

Note: These fittings are a combination of a custom Aquatherm PP-R socket with a gasket and copper stub added by Sioux Chief Manufacturing.

Note: Stub-outs should ONLY be used as termination fittings in plumbing systems, such as connections to lavatories and other plumbing fixtures. Stub-outs are NOT intended for continuously flowing systems or use in HVAC/hydronic systems.

Note: The copper portion, gasket and resulting copper/PP connection are NOT covered by the Aquatherm warranty.

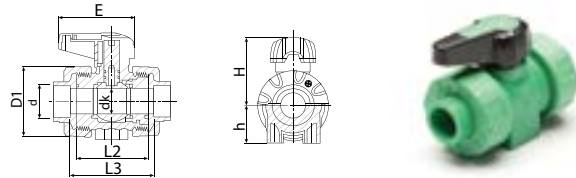


| New Part No. | Old Part No. | Dimension<br>(ND — OD) | d    | l    | Weight |
|--------------|--------------|------------------------|------|------|--------|
|              |              |                        | [in] | [in] | [lb]   |
| 9794201108   | AQ638P211    | ½" — 20 mm             | 0.79 | 11.0 | 0.41   |
| 9794201110   | AQ638P311    | ¾" — 25 mm             | 0.98 | 11.0 | 0.68   |
| 9794201112   | AQ638P418    | 1" — 32 mm             | 1.26 | 18.0 | 0.94   |

# PRODUCT RANGE - VALVES

## aquatherm POLYPROPYLENE BALL VALVE

Replacement parts can be ordered for O-rings, handles, end connectors, and socket inserts for pipe connection.

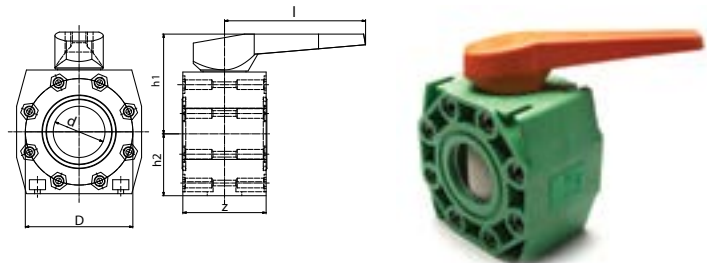


| New Part No. | Old Part No.         | Dimension<br>(ND — OD) | E    | D1   | d    | dk   | L2   | L3   | H    | h    | Weight |
|--------------|----------------------|------------------------|------|------|------|------|------|------|------|------|--------|
|              |                      |                        | [in] | [in] | [in] | [in] | [in] | [in] | [in] | [in] | [in]   |
| 1090020052   | 0041488              | ½" — 20 mm             | 2.60 | 1.98 | 0.79 | 0.53 | 2.22 | 2.68 | 2.01 | 1.06 | 0.26   |
| 1090020020   | 0041588 <sup>a</sup> | ½" — 20 mm             | 2.60 | 1.98 | 0.79 | 0.53 | 2.22 | 2.68 | 2.01 | 1.06 | 0.26   |
| 1090025053   | 0041490              | ¾" — 25 mm             | 3.19 | 2.32 | 0.98 | 0.73 | 2.58 | 3.09 | 2.40 | 1.18 | 0.40   |
| 1090025021   | 0041590 <sup>a</sup> | ¾" — 25 mm             | 3.19 | 2.32 | 0.98 | 0.73 | 2.58 | 3.09 | 2.40 | 1.18 | 0.40   |
| 1090032054   | 0041492              | 1" — 32 mm             | 3.21 | 2.77 | 1.26 | 0.94 | 2.83 | 3.33 | 2.40 | 1.57 | 0.60   |
| 1090032022   | 0041592 <sup>a</sup> | 1" — 32 mm             | 3.21 | 2.77 | 1.26 | 0.94 | 2.83 | 3.33 | 2.40 | 1.57 | 0.60   |
| 1090040055   | 0041494              | 1 ¼" — 40 mm           | 3.60 | 3.38 | 1.57 | 1.22 | 3.35 | 3.94 | 3.19 | 1.81 | 1.07   |
| 1090040023   | 0041594 <sup>a</sup> | 1 ¼" — 40 mm           | 3.60 | 3.38 | 1.57 | 1.22 | 3.35 | 3.94 | 3.19 | 1.81 | 1.07   |
| 1090050056   | 0041496              | 1 ½" — 50 mm           | 3.60 | 3.92 | 1.97 | 1.52 | 3.50 | 4.21 | 3.54 | 2.17 | 1.43   |
| 1090050024   | 0041596 <sup>a</sup> | 1 ½" — 50 mm           | 3.60 | 3.92 | 1.97 | 1.52 | 3.50 | 4.21 | 3.54 | 2.17 | 1.43   |
| 1090063057   | 0041498              | 2" — 63 mm             | 5.57 | 4.94 | 2.48 | 1.97 | 3.98 | 4.65 | 4.50 | 2.76 | 2.66   |
| 1090063025   | 0041598 <sup>a</sup> | 2" — 63 mm             | 5.57 | 4.94 | 2.48 | 1.97 | 3.98 | 4.65 | 4.50 | 2.76 | 2.66   |
| 1090075051   | 0041400              | 2 ½" — 75 mm           | 7.31 | 5.06 | 3.62 | 2.53 | 8.13 | 9.00 | 5.50 | 2.90 | 5.35   |

<sup>a</sup>Part comes with a gray fluoroelastomer (FPM/FKLM) gasket.

## aquatherm BALL VALVE WITH BOLT/GASKET KIT

Polypropylene construction with ISO bolt pattern. Comes with 2 gaskets, 16 bolts, and 16 washers. Contact Aquatherm to order parts individually. Replacement O-rings available upon request.



| New Part No. | Old Part No.         | Dimension<br>(ND — OD)     | d    | l    | z    | D    | h1   | h2   | Weight |
|--------------|----------------------|----------------------------|------|------|------|------|------|------|--------|
|              |                      |                            | [in] | [in] | [in] | [in] | [in] | [in] | [in]   |
| 9790041802   | 0041802              | 3" — 90 mm                 | 3.03 | 8.27 | 4.88 | 6.30 | 5.91 | 3.66 | 9.25   |
| 9790041804   | 0041804 <sup>a</sup> | 3 ½" to 4" — 110 to 125 mm | 3.70 | 10.2 | 5.71 | 7.09 | 6.50 | 4.06 | 12.4   |
| 9790041807   | 0041807              | 6" — 160 mm                | 5.31 | 12.2 | 8.07 | 9.45 | 8.27 | 5.37 | 29.6   |

<sup>a</sup>For a 4" connection, use part no. 0115526 and part no. 3315726. For a 3 ½" connection, use part no. 0115524 and part no. 3315724.

Note: A full-faced flange gasket should be used with these valves. Do not use an O-ring with or without the flange gasket or leakage may occur. Discard any O-ring that may come with the valve.

## REPLACEMENT BOLT/GASKET KIT FOR BALL VALVES

Kit includes the following replacement parts for the polypropylene Aquatherm ball valves: 2 gaskets, 16 bolts, and 16 washers.

| New Part No. | Old Part No.           | Dimension<br>(ND — OD)     |
|--------------|------------------------|----------------------------|
| 9794160318   | 4160218-S <sup>a</sup> | 3" — 90 mm                 |
| 9794160518   | 4160418-S <sup>b</sup> | 3 ½" to 4" — 110 to 125 mm |
| 9794160818   | 4160718-S <sup>c</sup> | 6" — 160 mm                |

<sup>a</sup>Replacement kit for part no. 0041602 and 0041702.

<sup>b</sup>Replacement kit for part no. 0041604 and 0041704.

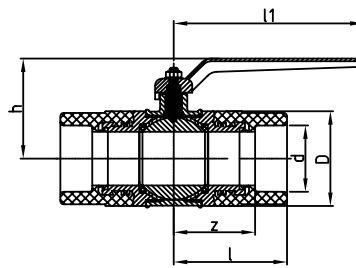
<sup>c</sup>Replacement kit for part no. 0041607 and 0041707.



**aquatherm POLYPROPYLENE/BRASS BALL VALVE**

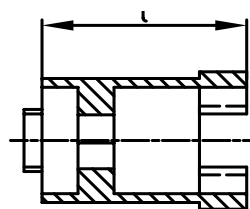
Note: Brass components in these valves do not comply with NSF 372 or the Safe Drinking Water Act (SDWA) lead-free requirements for potable water systems.

Note: Quantities in some sizes are limited, confirm availability when ordering.



| New Part No.<br>Industrial brass | Old Part No.<br>Industrial brass | Dimension<br>(ND — OD) | d    | l    | z    | D    | h    | l1   | Weight |
|----------------------------------|----------------------------------|------------------------|------|------|------|------|------|------|--------|
|                                  |                                  |                        | [in] | [in] | [in] | [in] | [in] | [in] | [lb]   |
| 1050020174                       | 0041308                          | ½" — 20 mm             | 0.79 | 2.17 | 1.59 | 1.26 | 2.60 | 3.35 | 0.62   |
| 1050025175                       | 0041310                          | ¾" — 25 mm             | 0.98 | 2.17 | 1.54 | 1.61 | 2.87 | 3.35 | 0.83   |
| 1050032176                       | 0041312                          | 1" — 32 mm             | 1.26 | 2.50 | 1.79 | 1.85 | 3.23 | 4.25 | 1.31   |
| 1050040177                       | 0041314                          | 1 ¼" — 40 mm           | 1.57 | 2.85 | 2.05 | 2.28 | 3.66 | 4.25 | 2.24   |
| 1050050178                       | 0041316                          | 1 ½" — 50 mm           | 1.97 | 3.29 | 2.36 | 2.78 | 4.49 | 5.51 | 3.72   |
| 1050063179                       | 0041318                          | 2" — 63 mm             | 2.48 | 4.04 | 2.95 | 3.43 | 5.20 | 5.51 | 6.34   |

**aquatherm BALL VALVE HANDLE EXTENSION**



| New Part No. | Old Part No. | Dimension<br>(ND — OD) x length         | l    | Weight |
|--------------|--------------|-----------------------------------------|------|--------|
|              |              |                                         | [in] | [lb]   |
| 1050000180   | 0041378      | ½" to ¾" x 1 ½" — 20 to 25 mm x 35 mm   | 1.38 | 0.26   |
| 1050000181   | 0041382      | 1" to 1 ¼" x 1 ½" — 32 to 40 mm x 35 mm | 1.38 | 0.26   |
| 1050000182   | 0041386      | 1 ½" to 2" x 1 ½" — 50 - 63 mm x 46 mm  | 1.81 | 0.60   |

Part no. 0041378 suitable for part no. 0041308 / 0041310.  
 Part no. 0041382 suitable for part no. 0041312 / 0041314.  
 Part no. 0041386 suitable for part no. 0041316 / 0041318.

**aquatherm EXTENSION FOR BALL VALVE**



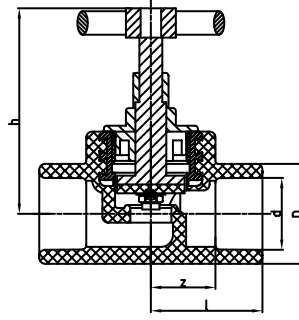
| New Part No. | Old Part No. | Dimension<br>(ND — OD)                   | Length | Weight |
|--------------|--------------|------------------------------------------|--------|--------|
|              |              |                                          | [in]   | [lb]   |
| 9700098900   | 0098900      | ½" x 4" — 20 mm x 100 mm                 | 3.94   | 0.04   |
| 9700098901   | 0098901      | ¾" to 1" x 4" — 25 to 32 mm x 100 mm     | 3.94   | 0.06   |
| 9700098902   | 0098902      | 1 ¼" to 1 ½" x 4" — 40 to 50 mm x 100 mm | 3.94   | 0.07   |
| 9700098903   | 0098903      | 2" x 4" — 63 mm x 100 mm                 | 3.94   | 0.09   |

# PRODUCT RANGE - VALVES

## aquatherm SCREW-DOWN STOP GLOBE VALVE

For surface installation.

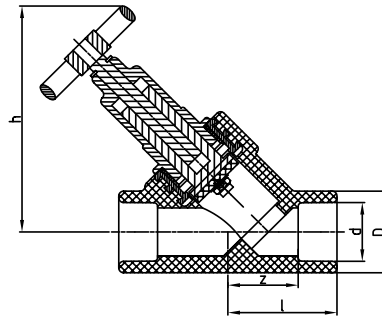
NOTE: Brass components in these valves do not comply with NSF 372 or the Safe Drinking Water Act (SDWA) lead-free requirements for potable water systems.



| New Part No. | Old Part No. | Dimension<br>(ND — OD) | d    | l    | z    | D    | h    | Weight |
|--------------|--------------|------------------------|------|------|------|------|------|--------|
|              |              |                        | [in] | [in] | [in] | [in] | [in] | [lb]   |
| 1090020040   | 0140808      | ½" — 20 mm             | 0.79 | 1.38 | 0.81 | 1.16 | 2.76 | 0.36   |
| 1090025041   | 0140810      | ¾" — 25 mm             | 0.98 | 1.50 | 0.87 | 1.34 | 2.76 | 0.38   |
| 1090032042   | 0140812      | 1" — 32 mm             | 1.26 | 1.93 | 1.22 | 1.69 | 3.41 | 0.69   |
| 1090040043   | 0140814      | 1 ¼" — 40 mm           | 1.57 | 2.36 | 1.56 | 2.05 | 3.96 | 1.29   |

## aquatherm INCLINED VALVE without drain

NOTE: Brass components in these valves do not comply with NSF 372 or the Safe Drinking Water Act (SDWA) lead-free requirements for potable water systems.



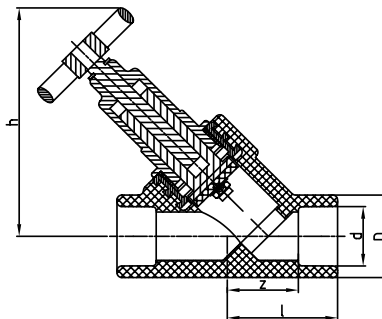
| New Part No.<br>Industrial brass | Old Part No.<br>Industrial brass | Dimension<br>(ND — OD) | d    | l    | z    | D    | h    | Weight |
|----------------------------------|----------------------------------|------------------------|------|------|------|------|------|--------|
|                                  |                                  |                        | [in] | [in] | [in] | [in] | [in] | [lb]   |
| 1050020162                       | 0141108                          | ½" — 20 mm             | 0.79 | 1.77 | 1.20 | 1.34 | 3.76 | 0.65   |
|                                  | 0141110                          | ¾" — 25 mm             | 0.98 | 1.77 | 1.14 | 1.34 | 3.76 | 0.62   |
| 1050032164                       | 0141112                          | 1" — 32 mm             | 1.26 | 2.20 | 1.50 | 1.69 | 4.39 | 0.93   |
| 1050040165                       | 0141114                          | 1 ¼" — 40 mm           | 1.57 | 2.56 | 1.75 | 2.05 | 5.31 | 1.84   |

\*Brass components in these valves do not comply with the 2015 zero-lead requirements for potable water systems.

## aquatherm INCLINED CHECK VALVE without drain

Adjustable pressure check valve.

NOTE: Brass components in these valves do not comply with NSF 372 or the Safe Drinking Water Act (SDWA) lead-free requirements for potable water systems.



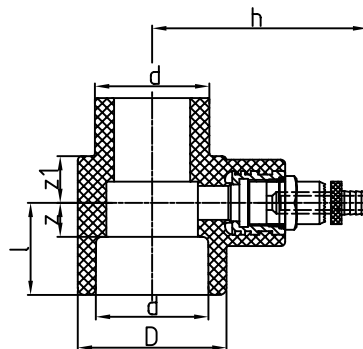
| New Part No.<br>Industrial brass | Old Part No.<br>Industrial brass | Dimension<br>(ND — OD) | d    | l    | z    | D    | h    | Weight |
|----------------------------------|----------------------------------|------------------------|------|------|------|------|------|--------|
|                                  |                                  |                        | [in] | [in] | [in] | [in] | [in] | [lb]   |
| 1050020170                       | 0041208                          | ½" — 20 mm             | 0.79 | 1.77 | 1.20 | 1.34 | 3.76 | 0.65   |
| 1050025171                       | 0041210                          | ¾" — 25 mm             | 0.98 | 1.77 | 1.14 | 1.34 | 3.76 | 0.64   |
| 1050032172                       | 0041212                          | 1" — 32 mm             | 1.26 | 2.20 | 1.50 | 1.69 | 4.39 | 0.95   |
| 1050040173                       | 0041214                          | 1 ¼" — 40 mm           | 1.57 | 2.56 | 1.75 | 2.05 | 5.31 | 1.85   |

\*Brass components in these valves do not comply with the 2015 zero-lead requirements for potable water systems.

**aquatherm DRAINING BRANCH**

Fused in-line for use with **aquatherm green pipe** valves or other cases where draining is needed.

NOTE: Brass components in these valves do not comply with NSF 372 or the Safe Drinking Water Act (SDWA) lead-free requirements for potable water systems.



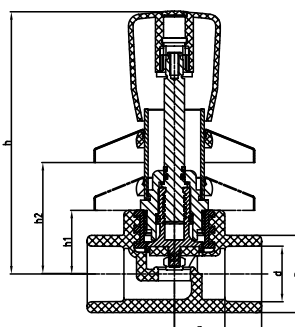
| New Part No.<br>Industrial brass | Old Part No. (NPT)<br>Industrial brass | Dimension<br>(ND — OD) | d    | l    | z    | D    | z1   | h    | Weight<br>[lb] |
|----------------------------------|----------------------------------------|------------------------|------|------|------|------|------|------|----------------|
|                                  |                                        |                        | [in] | [in] | [in] | [in] | [in] |      |                |
| 1050020183                       | 141408                                 | ½" — 20 mm             | 0.79 | 0.45 | 1.02 | 1.34 | 0.65 | 2.64 | 0.22           |
| 1050025184                       | 0041410                                | ¾" — 25 mm             | 0.98 | 0.39 | 1.02 | 1.34 | 0.65 | 2.64 | 0.21           |
| 1050032185                       | 0041412                                | 1" — 32 mm             | 1.26 | 0.55 | 1.26 | 1.69 | 0.67 | 2.78 | 0.26           |
| 1050040186                       | 0041414                                | 1 ¼" — 40 mm           | 1.57 | 0.47 | 1.28 | 2.05 | 0.65 | 3.01 | 0.31           |
| 1050050187                       | 0041416                                | 1 ½" — 50 mm           | 1.97 | 0.61 | 1.54 | 2.68 | 0.67 | 3.30 | 0.45           |
| 1050063188                       | 0041418                                | 2" — 63 mm             | 2.48 | 0.65 | 1.73 | 3.31 | 0.65 | 3.66 | 0.64           |

\*Brass components in these valves do not comply with the 2015 zero-lead requirements for potable water systems.

**aquatherm CONCEALED VALVE** (standard)

Chromium-plated. Includes hot/cold water indicator.

NOTE: Brass components in these valves do not comply with NSF 372 or the Safe Drinking Water Act (SDWA) lead-free requirements for potable water systems.

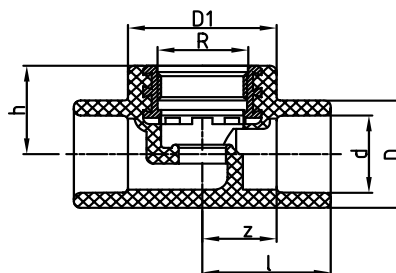


| New Part No.<br>Industrial brass | Old Part No. (ISO)<br>Industrial brass | Dimension<br>(ND — OD) | d    | l    | z    | D    | h    | h1   | h2   | Weight<br>[lb] |
|----------------------------------|----------------------------------------|------------------------|------|------|------|------|------|------|------|----------------|
|                                  |                                        |                        | [in] | [in] | [in] | [in] | [in] | [in] | [in] |                |
| 1050020150                       | 0140858                                | ½" — 20 mm             | 0.79 | 1.38 | 0.81 | 1.16 | 4.57 | 1.10 | 2.32 | 0.70           |
| 1050025151                       | 0140860                                | ¾" — 25 mm             | 0.98 | 1.50 | 0.87 | 1.34 | 4.57 | 1.10 | 2.32 | 0.73           |
| 1050032152                       | 0140862                                | 1" — 32 mm             | 1.26 | 1.93 | 1.22 | 1.69 | 4.76 | 1.34 | 2.32 | 0.92           |

\*Brass components in these valves do not comply with the 2015 zero-lead requirements for potable water systems.

**aquatherm STOP VALVE BODY ISO**

NOTE: Brass components in these valves do not comply with NSF 372 or the Safe Drinking Water Act (SDWA) lead-free requirements for potable water systems.

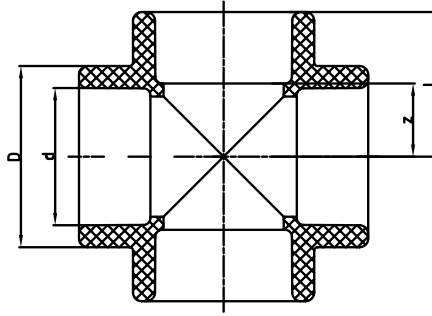


| New Part No.<br>Industrial brass | Old Part No.<br>(ISO) Industrial<br>brass | Dimension<br>PP-R (ND — OD) x thread | d    | l    | z    | D    | h    | D1   | R    | Weight<br>[lb] |
|----------------------------------|-------------------------------------------|--------------------------------------|------|------|------|------|------|------|------|----------------|
|                                  |                                           |                                      | [in] | [in] | [in] | [in] | [in] | [in] | [in] |                |
| 1090020046                       | 0040908                                   | ( ½" — 20 mm ) x ¾" F                | 0.79 | 1.38 | 0.79 | 1.16 | 1.10 | 1.73 | 0.75 | 0.21           |
| 1090025047                       | 0040910                                   | ( ¾" — 25 mm ) x ¾" F                | 0.98 | 1.50 | 0.87 | 1.34 | 1.10 | 1.73 | 0.75 | 0.22           |
| 1090032048                       | 0040912                                   | ( 1" — 32 mm ) x 1" F                | 1.26 | 1.93 | 1.22 | 1.69 | 1.34 | 2.05 | 1.00 | 0.32           |
| 1090040049                       | 0040914                                   | ( 1 ¼" — 40 mm ) x 1 ¼" F            | 1.57 | 2.36 | 1.56 | 2.05 | 1.61 | -    | 1.25 | 0.69           |

\*Brass components in these valves do not comply with the 2015 zero-lead requirements for potable water systems.

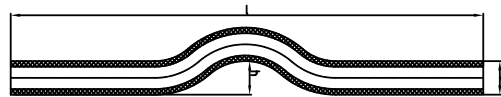
# PRODUCT RANGE - ACCESSORIES

## aquatherm CROSS



| New Part No. | Old Part No. | Dimension<br>(ND — OD) | d    | z    | l    | D    | Weight |
|--------------|--------------|------------------------|------|------|------|------|--------|
|              |              |                        | [in] | [in] | [in] | [in] | [lb]   |
| 1040020980   | 0113708      | ½" — 20 mm             | 0.79 | 0.45 | 1.02 | 1.16 | 0.06   |
| 1040025981   | 0113710      | ¾" — 25 mm             | 0.98 | 0.53 | 1.16 | 1.34 | 0.08   |
| 1040032982   | 0113712      | 1" — 32 mm             | 1.26 | 0.67 | 1.38 | 1.69 | 0.14   |
| 1040040983   | 0113714      | 1 ¼" — 40 mm           | 1.57 | 0.83 | 1.63 | 2.05 | 0.22   |

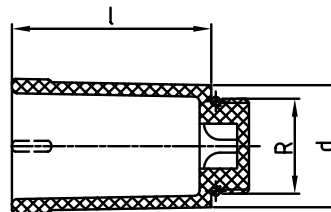
## aquatherm CROSS-OVER



| New Part No. | Old Part No. | Dimension<br>(ND — OD) | d    | h    | l    | Weight |
|--------------|--------------|------------------------|------|------|------|--------|
|              |              |                        | [in] | [in] | [in] | [lb]   |
| 1090020925   | 0116108      | ½" — 20 mm             | 0.79 | 0.87 | 13.9 | 0.13   |
| 1090025926   | 0116110      | ¾" — 25 mm             | 0.98 | 0.98 | 13.9 | 0.20   |
| 1090032927   | 0116112      | 1" — 32 mm             | 1.26 | 1.26 | 13.9 | 0.34   |

## aquatherm ISO PLUG FOR PRESSURE TESTS

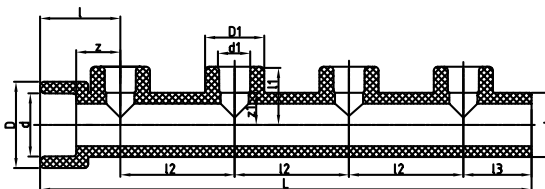
Includes gasket.



| New Part No. | Old Part No. | Dimension | d    | R    | l    | Weight |
|--------------|--------------|-----------|------|------|------|--------|
|              |              |           | [in] | [in] | [in] | [lb]   |
| 9800050708   | 0050708      | ½" M      | 1.10 | 0.50 | 2.19 | 0.05   |
| 9800050710   | 0050710      | ¾" M      | 1.34 | 0.75 | 2.19 | 0.06   |

**aquatherm DISTRIBUTION PIPE**

246 mm long, with four branch connections. This distribution pipe can be cut short or supplemented by fusion with additional distribution pipes as needed. The brass in this fitting meets potable water requirements.



| New Part No. | Old Part No. | Dimension<br>(ND — OD) | d    | d1   | l    | z    | D    | l1   | z1   | D1   | l2   | l3   | L    | Weight |
|--------------|--------------|------------------------|------|------|------|------|------|------|------|------|------|------|------|--------|
|              |              |                        | [in] | [in] | [in] | [in] | [in] | [in] | [in] | [in] | [in] | [in] | [in] | [lb]   |
| 9300130604   | 0130604      | 1" x 1/2" — 32 x 20 mm | 1.26 | 0.79 | 1.57 | 0.87 | 1.69 | 1.14 | 0.57 | 1.16 | 2.24 | 1.42 | 9.65 | 0.30   |

**aquatherm DISTRIBUTOR END PIECE**

PP-R socket with female thread NPT for emptying or aerating a distribution pipe. The brass in this fitting meets potable water requirements.



| New Part No.<br>Zero-lead<br>(potable) brass | Old Part No.<br>(NPT) Zero-lead<br>(potable) brass | Dimension<br>(ND — OD) x thread | d    | l    | z    | D    | L    | R    | Weight |
|----------------------------------------------|----------------------------------------------------|---------------------------------|------|------|------|------|------|------|--------|
|                                              |                                                    |                                 | [in] | [in] | [in] | [in] | [in] | [in] | [lb]   |
| 1090032904                                   | 0630804                                            | (1" — 32 mm) x 1/2" F           | 1.26 | 1.18 | 0.47 | 1.69 | 1.69 | 0.50 | 0.10   |

# PRODUCT RANGE - TOOLS

## aquatherm DRILL BIT

| New Part No. | Old Part No. | Dimension                                                   | Weight [lb] |
|--------------|--------------|-------------------------------------------------------------|-------------|
| 9800050940   | 0050940      | ½" & ¾" — 20 & 25 mm<br>(for pipes 1 ¼" - 6" — 40 - 160 mm) | 0.30        |
| 9800050941   | 0050941      | ½" & ¾" — 20 & 25 mm<br>(for pipes 6" - 10" — 160 - 250 mm) | 0.35        |
| 9800050942   | 0050942      | 1" — 32 mm                                                  | 0.46        |
| 9800050944   | 0050944      | 1 ¼" — 40 mm                                                | 0.63        |
| 9800050946   | 0050946      | 1 ½" — 50 mm                                                | 0.70        |
| 9800050948   | 0050948      | 2" — 63 mm                                                  | 1.00        |



## aquatherm HOLE SAWS AND COMPONENTS

| New Part No. | Old Part No.         | Dimension                                                           |
|--------------|----------------------|---------------------------------------------------------------------|
| 9800050987   | 0050987 <sup>a</sup> | 2 ½" — 75 mm                                                        |
| 9800050988   | 0050988 <sup>a</sup> | 3" — 90 mm                                                          |
| 9800050989   | 0050989 <sup>b</sup> | 3 ½" — 110 mm                                                       |
| 9800050990   | 0050990 <sup>b</sup> | 4" — 125 mm                                                         |
| 9800050991   | 0050991 <sup>b</sup> | 6" — 160 mm                                                         |
| 9800050973   | 0050973              | Small Hole Saw Pilot Bit/Arbor Quick Change Adapter (75 mm - 90 mm) |
| 9800050975   | 0050975              | Hole Saw Pilot Bit                                                  |
| 9800050976   | 0050976              | 1/2" Hole Saw Arbor/Drill Chuck Adapter (110 mm - 160 mm)           |

<sup>a</sup>Requires part 0050973.

<sup>b</sup>Requires parts 0050975 & 0050976.



## aquatherm REPLACEMENT PILOT BITS

| New Part No. | Old Part No. | Dimension<br>(ND — OD)   |
|--------------|--------------|--------------------------|
| 9800099910   | 0099910      | ½" to 1" — 20 to 32 mm   |
| 9800099911   | 0099911      | 1 ¼" to 2" — 40 to 63 mm |

## aquatherm REPAIR SET

For closing pipe holes up to 0.4 in. Use with repair plug (part no. 0060600).

| New Part No. | Old Part No. | Dimension     | Weight [lb] |
|--------------|--------------|---------------|-------------|
| 9800050307   | 0050307      | ¼" — 7 mm     | 0.32        |
| 9800050311   | 0050311      | 7/16" — 11 mm | 0.39        |



## aquatherm REPAIR PLUG

PP-R plug for closing pipe holes up to 0.4 in. Use with Aquatherm repair set (part no. 0050307 & 0050311).

| New Part No. | Old Part No. | Dimension OD for each end | Weight [lb] |
|--------------|--------------|---------------------------|-------------|
| 1090000035   | 0060600      | 7/16" x ¼" — 11 x 7 mm    | 0.02        |



## aquatherm PIPE CUTTER

For use with Aquatherm pipe only.

| New Part No. | Old Part No. | Dimension                        | Weight [lb] |
|--------------|--------------|----------------------------------|-------------|
| 9800050104   | 0050104      | ( 3/8" - 1 ¼" ) — ( 16 - 40 mm ) | 1.30        |



## aquatherm TEMPERATURE PROTECTIVE GLOVES (PAIR)

For use during fusion and changing welding heads.

| New Part No. | Old Part No. | Dimension              |
|--------------|--------------|------------------------|
| 9800050195   | 0050195      | 20 mm x 1/2"IG x 20 mm |



**aquatherm DEPTH GAUGE**

For marking socket fusion depth on pipe sizes ½" through 4"

| New Part No. | Old Part No. | Dimension<br>(ND — OD)         |
|--------------|--------------|--------------------------------|
| 9100001111   | 0001111      | Green depth gauge - ½" thru 4" |
| 9100001112   | 0001112      | Blue depth gauge - 2" thru 4"  |



**aquatherm FUSION HEADS**

| New Part No. | Old Part No. | Dimension     | Weight |
|--------------|--------------|---------------|--------|
|              |              |               | [lb]   |
| 9800050206   | 0050206      | ⅜" — 16 mm    | 0.24   |
| 9800050208   | 0050208      | ½" — 20 mm    | 0.25   |
| 9800050210   | 0050210      | ¾" — 25 mm    | 0.31   |
| 9800050212   | 0050212      | 1" — 32 mm    | 0.46   |
| 9800050214   | 0050214      | 1 ¼" — 40 mm  | 0.68   |
| 9800050216   | 0050216      | 1 ½" — 50 mm  | 1.00   |
| 9800050218   | 0050218      | 2" — 63 mm    | 1.50   |
| 9800050220   | 0050220      | 2 ½" — 75 mm  | 2.02   |
| 9800050222   | 0050222      | 3" — 90 mm    | 3.12   |
| 9800050224   | 0050224      | 3 ½" — 110 mm | 5.41   |
| 9800050226   | 0050226      | 4" — 125 mm   | 7.33   |



**aquatherm FUSION OUTLET HEADS**

| New Part No. | Old Part No. | Dimension                         | Weight |
|--------------|--------------|-----------------------------------|--------|
|              |              |                                   | [lb]   |
| 9800050614   | 0050614      | 1 ¼" x ½" & ¾" — 40 x 20 & 25 mm  | 0.41   |
| 9800050616   | 0050616      | 1 ½" x ½" & ¾" — 50 x 20 & 25 mm  | 0.49   |
| 9800050619   | 0050619      | 2" x ½" & ¾" — 63 x 20 & 25 mm    | 0.53   |
| 9800050620   | 0050620      | 2" x 1" — 63 x 32 mm              | 0.54   |
| 9800050623   | 0050623      | 2 ½" x ½" & ¾" — 75 x 20 & 25 mm  | 0.56   |
| 9800050624   | 0050624      | 2 ½" x 1" — 75 x 32 mm            | 0.57   |
| 9800050625   | 0050625      | 2 ½" x 1 ¼" — 75 x 40 mm          | 0.99   |
| 9800050627   | 0050627      | 3" x ½" & ¾" — 90 x 20 & 25 mm    | 0.59   |
| 9800050628   | 0050628      | 3" x 1" — 90 x 32 mm              | 0.61   |
| 9800050629   | 0050629      | 3" x 1 ¼" — 90 x 40 mm            | 1.02   |
| 9800050631   | 0050631      | 3 ½" x ½" & ¾" — 110 x 20 & 25 mm | 0.61   |
| 9800050632   | 0050632      | 3 ½" x 1" — 110 x 32 mm           | 0.63   |
| 9800050634   | 0050634      | 3 ½" x 1 ¼" — 110 x 40 mm         | 1.06   |
| 9800050635   | 0050635      | 3 ½" x 1 ½" — 110 x 50 mm         | 1.71   |
| 9800050636   | 0050636      | 4" x ½" & ¾" — 125 x 20 & 25 mm   | 0.64   |
| 9800050638   | 0050638      | 4" x 1" — 125 x 32 mm             | 0.66   |
| 9800050640   | 0050640      | 4" x 1 ¼" — 125 x 40 mm           | 1.12   |
| 9800050642   | 0050642      | 4" x 1 ½" — 125 x 50 mm           | 1.74   |
| 9800050644   | 0050644      | 4" x 2" — 125 x 63 mm             | 2.71   |
| 9800050648   | 0050648      | 6" x ½" & ¾" — 160 x 20 & 25 mm   | 0.71   |
| 9800050650   | 0050650      | 6" x 1" — 160 x 32 mm             | 0.74   |
| 9800050652   | 0050652      | 6" x 1 ¼" — 160 x 40 mm           | 1.20   |
| 9800050654   | 0050654      | 6" x 1 ½" — 160 x 50 mm           | 1.85   |



# PRODUCT RANGE - TOOLS

## aquatherm FUSION OUTLET HEADS (continued)

| New Part No. | Old Part No. | Dimension                           | Weight |
|--------------|--------------|-------------------------------------|--------|
|              |              |                                     | [lb]   |
| 9800050656   | 0050656      | 6" x 2" — 160 x 63 mm               | 2.84   |
| 9800050657   | 0050657      | 6" x 2 ½" — 160 x 75 mm             | 3.90   |
| 9800050658   | 0050658      | 6" x 3" — 160 x 90 mm               | 6.71   |
| 9800050660   | 0050660      | 8" x ½" & ¾" — 200 x 20 & 25 mm     | 0.44   |
| 9800050662   | 0050662      | 8" x 1" — 200 x 32 mm               | 0.51   |
| 9800050664   | 0050664      | 8" x 1 ¼" — 200 x 40 mm             | 0.89   |
| 9800050666   | 0050666      | 8" x 1 ½" — 200 x 50 mm             | 1.42   |
| 9800050667   | 0050667      | 8" x 2 ½" — 200 x 75 mm             | 3.94   |
| 9800050668   | 0050668      | 8" x 2" — 200 x 63 mm               | 2.30   |
| 9800050669   | 0050669      | 8" x 3" — 200 x 90 mm               | 6.77   |
| 9800050670   | 0050670      | 8" x 3 ½" — 200 x 110 mm            | 10.5   |
| 9800050671   | 0050671      | 8" x 4" — 200 x 125 mm              | 13.6   |
| 9800050672   | 0050672      | 10" x ½" & ¾" — 250 x 20 & 25 mm    | 0.44   |
| 9800050674   | 0050674      | 10" x 1" — 250 x 32 mm              | 0.51   |
| 9800050676   | 0050676      | 10" x 1 ¼" — 250 x 40 mm            | 0.89   |
| 9800050678   | 0050678      | 10" x 1 ½" — 250 x 50 mm            | 1.46   |
| 9800050680   | 0050680      | 10" x 2" — 250 x 63 mm              | 2.35   |
| 9800050682   | 0050682      | 10" x 2 ½" — 250 x 75 mm            | 3.95   |
| 9800050684   | 0050684      | 10" x 3" — 250 x 90 mm              | 6.77   |
| 9800050686   | 0050686      | 10" x 3 ½" — 250 x 110 mm           | 10.6   |
| 9800050688   | 0050688      | 10" x 4" — 250 x 125 mm             | 13.2   |
| 9800050690   | 0050690      | 12" x 2" — 315 x 63 mm              | 2.41   |
| 9800050692   | 0050692      | 12" x 2 ½" — 315 x 75 mm            | 4.22   |
| 9800050694   | 0050694      | 12" x 3" — 315 x 90 mm              | 7.11   |
| 9800050696   | 0050696      | 12" x 3 ½" — 315 x 110 mm           | 10.6   |
| 9800050698   | 0050698      | 12" x 4" — 315 x 125 mm             | 13.2   |
| 9800050699   | 0050699      | 12" x 6" — 315 x 160 mm             | 20.6   |
| 9800050712   | 0050712      | 14" x 2" — 355 x 63 mm              | 2.43   |
| 9800050714   | 0050714      | 14" x 2 ½" — 355 x 75 mm            | 4.40   |
| 9800050716   | 0050716      | 14" x 3" — 355 x 90 mm              | 7.22   |
| 9800050718   | 0050718      | 14" x 3 ½" — 355 x 110 mm           | 10.7   |
| 9800050720   | 0050720      | 14" x 4" — 355 x 125 mm             | 13.3   |
| 9800050722   | 0050722      | 14" x 6" — 355 x 160 mm             | 19.5   |
| 9800050726   | 0050726      | 16" - 24" x 2" — 400-630 x 63 mm    | 2.34   |
| 9800050728   | 0050728      | 16" - 20" x 2 ½" — 400-500 x 75 mm  | 3.41   |
| 9800050732   | 0050732      | 16" - 20" x 3" — 400-500 x 90 mm    | 5.21   |
| 9800050736   | 0050736      | 16" - 18" x 3 ½" — 400-450 x 110 mm | 6.46   |
| 9800050740   | 0050740      | 24" x 3 ½" — 630 x 110 mm           | 9.11   |
| 9800050742   | 0050742      | 16" x 4" — 400 x 125 mm             | 11.8   |
| 9800050744   | 0050744      | 18" - 20" x 4" — 450-500 x 125 mm   | 11.9   |





 **aquatherm**<sup>®</sup>

**aquatherm**

825 West 600 North

Lindon, UT 84042

USA

Phone: +1 801-805-6657

[support@aquatherm.com](mailto:support@aquatherm.com)

[www.aquatherm.com](http://www.aquatherm.com)

**aquatherm GmbH**

Headquarters

Biggen 5

57439 Attendorn

Germany

Phone: +49 (0) 2722 950-0

[www.aquatherm.de](http://www.aquatherm.de)

