

AQUATHERM NORTH AMERICA
PARTS GUIDE

 aquatherm®

MAR2025

TABLE OF CONTENTS

aquatherm blue®	2
90(s)	7
45(s)	9
Tee(s)	11
Reducing Tee(s)	13
Couplings	18
Bushing	19
Reducing Coupling	20
Butt-Fusion Reducer	21
Fusion Outlets	22
End Caps	25
Flanges	26
Unions	29
Electrofusion	30
Transition Fittings	31
Valves	40
Accessories	44
Tools	46

Note: Dimensional data for the fittings has been added to the Aquatherm Parts Guide. However, due to the ongoing expansion and improvement of the Aquatherm line, dimensions are occasionally modified to meet changing requirements or improve functionality. Please contact Aquatherm with any questions or discrepancies found between the Parts Guide and actual parts. Part numbers for configurations and fittings not shown here are available upon request.

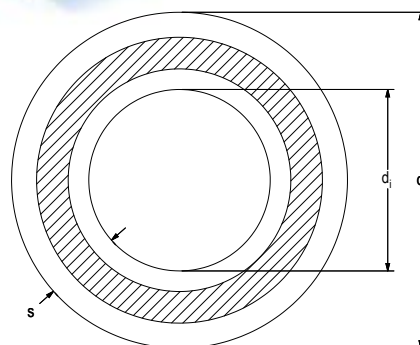
PRODUCT RANGE - PIPE

aquatherm blue® SDR 17.6 MF RP

Material: Fusiolen PP-RCT multi-layer, fiber-composite

In accordance with:

- NSF-14
- CSA-B137.11
- ICC AC 122
- ICC PMG 1014
- ASTM F 2389



Appearance: Blue

NSF/ICC system certification: Including fittings, connection pieces, and connection techniques.

Fields of application: Cooling distribution, condenser water, industrial applications, compressed air, and limited heating applications.

Pipe ^a			Diameter ^b	Wall thickness	Internal diameter	Water capacity	Weight ^c	Weight w/ water
New Part no.	Old Part no.	Dimension (ND – OD)	d (in)	s (in)	d _i (in)	gal/ft	lb/ft	lb/ft
2017125024	3570128	4" – 125 mm	4.92	0.28	4.37	0.776	1.92	8.41
9793570228	3570128x2 ^d	4" – 125 mm	4.92	0.28	4.37	0.776	1.92	8.41
2017160026	3570130	6" – 160 mm	6.30	0.36	5.59	1.272	2.93	13.5
9793570230	3570130x2 ^d	6" – 160 mm	6.30	0.36	5.59	1.272	2.93	13.5
2017200028	3570134	8" – 200 mm	7.87	0.45	6.97	1.987	4.57	22.0
9793570234	3570134x2 ^d	8" – 200 mm	7.87	0.45	6.97	1.987	4.57	22.0
2017250030	3570138	10" – 250 mm	9.84	0.56	8.74	3.105	7.10	33.0
9793570238	3570138x2 ^d	10" – 250 mm	9.84	0.56	8.74	3.105	7.10	33.0
2017315032	3570142	12" – 315 mm	12.4	0.70	11.0	4.930	11.3	52.3
9793570242	3570142x2 ^d	12" – 315 mm	12.4	0.70	11.0	4.930	11.3	52.3
2017355034	3570144	14" – 355 mm	14.0	0.79	12.4	6.261	14.3	66.5
9793570244	3570144x2 ^d	14" – 355 mm	14.0	0.79	12.4	6.261	14.3	66.5
2017400036	3570146	16" – 400 mm	15.8	0.89	14.0	7.949	18.1	84.4
9793570246	3570146x2 ^d	16" – 400 mm	15.8	0.89	14.0	7.949	18.1	84.4
2017450038	3570148	18" – 450 mm	17.7	1.00	15.8	10.061	22.9	107
9793570248	3570148x2 ^d	18" – 450 mm	17.7	1.00	15.8	10.061	22.9	107
2017500040	3570150	20" – 500 mm	19.7	1.12	17.4	12.421	28.3	132
9793570250	3570150x2 ^d	20" – 500 mm	19.7	1.12	17.4	12.421	28.3	132
2017630042	3570154	24" – 630 mm	24.8	1.41	22.0	19.719	44.7	209
9793570254	3570154x2 ^d	24" – 630 mm	24.8	1.41	22.0	19.719	44.7	209

^a Pipes come in standard 19 ft lengths (5.8 m). Doubles or other special lengths are available as a fabrication item.

^b To calculate dimensions of the pipe in millimeters, multiply the imperial inches measurement by 25.4.

^c To calculate the weight of the pipe in kg/m, multiply the measurement by 1.5.

^d Pipe comes in 38 ft lengths.

aquatherm blue® SDR 11 MF RP

Material: Fusiole PP-RCT multi-layer, fiber-composite

In accordance with:

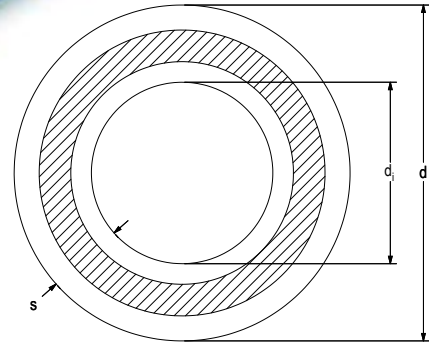
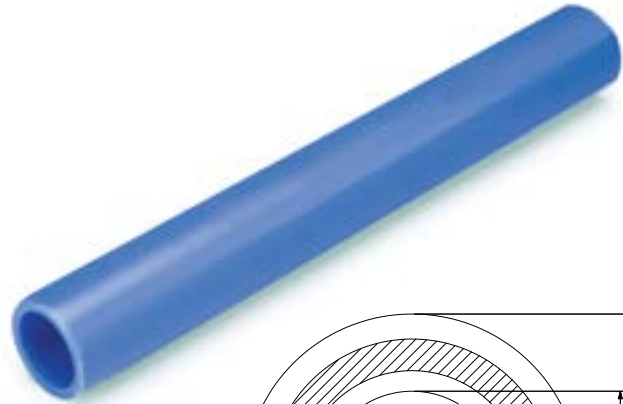
- NSF-14
- CSA-B137.11
- ICC AC 122
- ICC PMG 1014
- ASTM F 2389



Appearance: Blue

NSF system certification: Including fittings, connection pieces, and connection techniques.

Fields of application: Heating and cooling applications, industrial applications, compressed air.



Pipe ^a			Diameter ^b	Wall thickness	Internal diameter	Water capacity	Weight ^c	Weight w/ water
New Part no.	Old Part no.	Dimension (ND – OD)	d (in)	s (in)	d _i (in)	gal/ft	lb/ft	lb/ft
2012020906	2672708	½" – 20 mm SDR 7.4	0.79	0.11	0.57	0.013	0.13	0.24
2012025908	2672710	¾" – 25 mm SDR 7.4	0.98	0.13	0.71	0.021	0.20	0.37
2013032110	1970712	1" – 32 mm SDR 9	1.26	0.11	1.03	0.043	0.19	0.55
2014040912	2672114	1 ¼" – 40 mm SDR 11	1.57	0.14	1.29	0.068	0.29	0.85
2014050914	2672116	1 ½" – 50 mm SDR 11	1.97	0.18	1.61	0.106	0.45	1.33
2014063916	2672118	2" – 63 mm SDR 11	2.48	0.23	2.03	0.168	0.70	2.12
2014075918	2672120	2 ½" – 75 mm SDR 11	2.95	0.27	2.42	0.238	1.00	2.98
2014090920	2672122	3" – 90 mm SDR 11	3.54	0.32	2.90	0.343	1.44	4.29
2014110922	2672124 ^e	3 ½" – 110 mm SDR 11	4.33	0.39	3.54	0.512	2.13	6.39
2014125924	2672126	4" – 125 mm SDR 11	4.92	0.45	4.02	0.661	2.77	8.25
9792672226	2672126x2 ^d	4" – 125 mm SDR 11	4.92	0.45	4.02	0.661	2.77	8.25
2014160026	2071130	6" – 160 mm SDR 11	6.30	0.57	5.16	1.084	4.52	13.6
9792071230	2071130x2 ^d	6" – 160 mm SDR 11	6.30	0.57	5.16	1.084	4.52	13.6
2014200028	2071134	8" – 200 mm SDR 11	7.87	0.72	6.46	1.693	7.04	21.2
9792071234	2071134x2 ^d	8" – 200 mm SDR 11	7.87	0.72	6.46	1.693	7.04	21.2
2014250030	2071138	10" – 250 mm SDR 11	9.84	0.89	8.07	2.646	11.0	33.1
9792071238	2071138x2 ^d	10" – 250 mm SDR 11	9.84	0.89	8.07	2.646	11.0	33.1
2014315032	2071142	12" – 315 mm SDR 11	12.4	1.13	10.2	4.201	17.3	52.3
9792071242	2071142x2 ^d	12" – 315 mm SDR 11	12.4	1.13	10.2	4.201	17.3	52.3
2014355034	2071144	14" – 355 mm SDR 11	14.0	1.27	11.4	5.335	22.2	66.5
9792071244	2071144x2 ^d	14" – 355 mm SDR 11	14.0	1.27	11.4	5.335	22.2	66.5
2014400036	2071146 ^e	16" – 400 mm SDR 11	15.8	1.43	12.9	6.773	27.8	84.1
2014450038	2071148 ^e	18" – 450 mm SDR 11	17.7	1.61	14.5	8.573	35.2	107

The following items are supplied in coils:

2014020306	2010308	½" – 20 mm SDR 11 (100 m or 328' length coils)	0.79	0.07	0.65	0.017	0.07	0.21
2014025308	2010310	¾" – 25 mm SDR 11 (100 m or 328' length coils)	0.98	0.09	0.81	0.026	0.11	0.33
2014032310	2010312	1" – 32 mm SDR 11 (50 m or 164' length coils)	1.26	0.11	1.03	0.043	0.17	0.53

^a Pipes come in standard 19 ft lengths (5.8 m). Doubles or other special lengths are available as a fabrication item.

^b To calculate dimensions of the pipe in millimeters, multiply the imperial inches measurement by 25.4.

^c To calculate the weight of the pipe in kg/m, multiply the measurement by 1.5.

^d Pipe comes in 38 ft lengths.

^e Special order item. Please contact your sales representative for lead times.

aquatherm blue® SDR 9 MF RP

Material: Fusiolen PP-RCT multi-layer, fiber-composite

In accordance with:

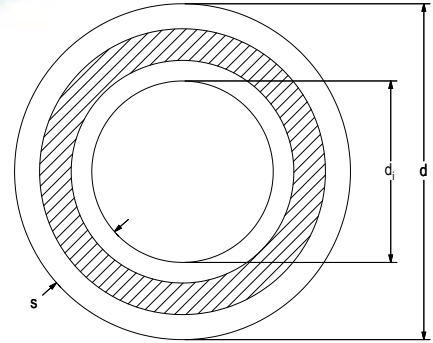
- NSF-14
- CSA-B137.11
- ICC AC 122
- ICC PMG 1014
- ASTM F 2389



Appearance: Blue

NSF system certification: Including fittings, connection pieces, and connection techniques.

Fields of application: Heating and cooling applications, industrial applications, compressed air.



Pipe ^a			Diameter ^b	Wall thickness	Internal diameter	Water capacity	Weight ^c	Weight w/ water
New Part no.	Old Part no.	Dimension (ND – OD)	d (in)	s (in)	d _i (in)	gal/ft	lb/ft	lb/ft
2013032110	1970712	1" – 32 mm	1.26	0.14	0.98	0.039	0.22	0.55
2013040012	1970714	1 1/4" – 40 mm	1.57	0.18	1.22	0.061	0.35	0.85
2013050014	1970716	1 1/2" – 50 mm	1.97	0.22	1.53	0.095	0.54	1.33
2013063016	1970718	2" – 63 mm	2.48	0.28	1.92	0.151	0.85	2.11
2013075018	1970720	2 1/2" – 75 mm	2.95	0.33	2.29	0.214	1.20	2.99
2013090020	1970722	3" – 90 mm	3.54	0.40	2.75	0.308	1.73	4.30
2013110022	1970724 ^d	3 1/2" – 110 mm	4.33	0.48	3.36	0.461	2.56	6.41
2013125024	1970726	4" – 125 mm	4.92	0.55	3.82	0.595	3.31	8.27
2013160026	1970730	6" – 160 mm	6.30	0.70	4.89	0.975	5.41	13.5
2013200028	1970734	8" – 200 mm	7.87	0.88	6.11	1.522	8.45	21.2
2013250030	1970738	10" – 250 mm	9.84	1.10	7.65	2.384	13.2	33.0
2013315032	1970742 ^d	12" – 315 mm	12.4	1.39	9.63	3.782	20.9	52.5
2013355034	1970744 ^d	14" – 355 mm	14.0	1.56	10.9	4.801	26.5	66.6

^a Pipes come in standard 19 ft lengths (5.8 m).

^b To calculate dimensions of the pipe in millimeters, multiply the imperial inches measurement by 25.4.

^c To calculate the weight of the pipe in kg/m, multiply the measurement by 1.5.

^d Special order item. Please contact your sales representative for lead times.

PRODUCT RANGE – PIPE

aquatherm blue® SDR 17.6 MF RP UV

Material: Fusiolen PP-RCT multi-layer, faser-composite

In accordance with:

- NSF-14
- CSA-B137.11
- ICC AC 122
- ICC PMG 1014
- ASTM F 2389

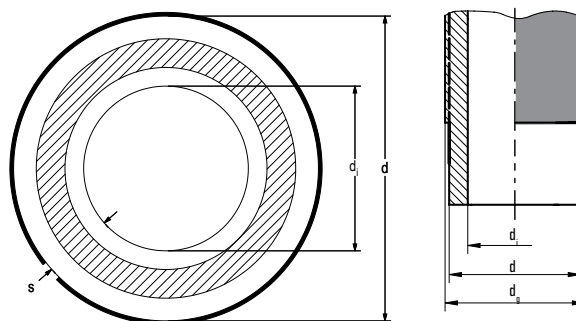


Appearance: Blue with black exterior.

NSF system certification: Including fittings, connection pieces and connection techniques.

Fields of application: All the same applications as the standard aquatherm blue® SDR 17.6 MF RP, but for installations where the pipe is exposed to UV radiation.

Note: Because these parts are not stocked in large numbers, please contact Aquatherm for details about your order. Aquatherm UV Pipe available by special order only. Please contact Aquatherm for information.



Pipe ^a			Diameter ^b	Wall thickness	Internal diameter	(d) total	Water capacity	Weight ^c	Weight w/ water
New Part no.	Old Part no.	Dimension (ND – OD)	d (in)	s (in)	d _i (in)	d _o (in)	gal/ft	lb/ft	lb/ft
2217160026	2570180	6" – 160 mm	6.30	0.36	5.59	6.38	1.272	3.28	13.9
2217200028	2570184	8" – 200 mm	7.87	0.45	6.97	7.95	1.987	5.09	21.6
2217250030	2570188	10" – 250 mm	9.84	0.56	8.74	9.92	3.105	7.68	33.6
2217315032	2570192	12" – 315 mm	12.4	0.70	11.0	12.5	4.930	12.0	53.0
2217355034	2570194	14" – 355 mm	14.0	0.79	12.4	14.1	6.261	15.1	67.3
2217400036	2570196	16" – 400 mm	15.8	0.89	14.0	15.9	7.949	19.1	85.4
2217450038	2570198	18" – 450 mm	17.7	1.00	15.8	17.8	10.061	24.0	108
2217500040	2570200	20" – 500 mm	19.7	1.12	17.4	19.8	12.421	29.6	133
2217630042	2570204	24" – 630 mm	24.8	1.41	22.0	24.9	19.719	46.5	211

^a Pipes come in standard 19 ft lengths (5.8 m).

^b To calculate dimensions of the pipe in millimeters, multiply the imperial inches measurement by 25.4.

^c To calculate the weight of the pipe in kg/m, multiply the measurement by 1.5.

PRODUCT RANGE - PIPE

aquatherm blue® SDR 11 MF RP UV

Material: Fusiolen PP-RCT multi-layer, faser-composite

In accordance with:

- NSF-14
- CSA-B137.11
- ICC AC 122
- ICC PMG 1014
- ASTM F 2389

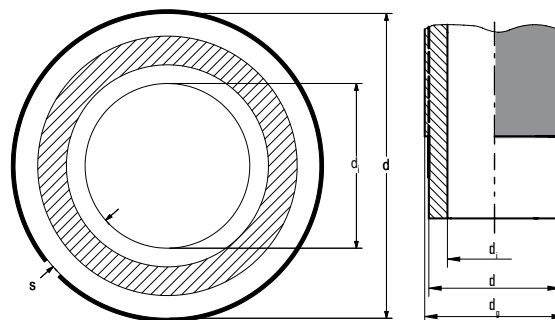


Appearance: Blue with black exterior.

NSF system certification: Including fittings, connection pieces and connection techniques.

Fields of application: All the same applications as the standard aquatherm blue® SDR 11 MF RP, but for installations where the pipe is exposed to UV radiation.

Note: Aquatherm UV Pipe available by special order only. Please contact Aquatherm for information.



Pipe ^a			Diameter ^b	Wall thickness	Internal diameter	(d) total	Water capacity	Weight ^c	Weight w/ water
New Part no.	Old Part no.	Dimension (ND — OD)	d (in)	s (in)	d _i (in)	d _o (in)	gal/ft	lb/ft	lb/ft
2212020006	2070758	½" — 20 mm SDR 7.4	0.79	0.11	0.57	0.87	0.013	0.14	0.25
2212025008	2070760	¾" — 25 mm SDR 7.4	0.98	0.14	0.71	1.06	0.024	0.21	0.38
2214032010	2070162	1" — 32 mm SDR 9	1.26	0.11	1.03	1.34	0.043	0.23	0.59
2214040012	2070164	1 ¼" — 40 mm SDR 11	1.57	0.14	1.29	1.65	0.067	0.37	0.93
2214050014	2070166	1 ½" — 50 mm SDR 11	1.97	0.18	1.61	2.05	0.105	0.55	1.43
2214063016	2070168	2" — 63 mm SDR 11	2.48	0.23	2.03	2.56	0.167	0.84	2.24
2214075018	2070170	2 ½" — 75 mm SDR 11	2.95	0.27	2.42	3.03	0.237	1.15	3.13
2214090020	2070172	3" — 90 mm SDR 11	3.54	0.32	2.90	3.62	0.343	1.67	4.52
2214110022	2070174 ^d	3 ½" — 110 mm SDR 11	4.33	0.39	3.54	4.41	0.512	2.48	6.74
2214125024	2070176	4" — 125 mm SDR 11	4.92	0.45	4.02	5.00	0.661	3.14	8.62
2214160026	2070180	6" — 160 mm SDR 11	6.30	0.57	5.16	6.38	1.082	5.05	14.1
2214200028	2070184	8" — 200 mm SDR 11	7.87	0.72	6.46	7.95	1.692	7.67	21.8
2214250030	2070188	10" — 250 mm SDR 11	9.84	0.89	8.07	9.92	2.646	11.9	34.0
2214315032	2070192	12" — 315 mm SDR 11	12.4	1.13	10.2	12.5	4.201	18.0	53.0
2214355034	2070194	14" — 355 mm SDR 11	14.0	1.27	11.4	14.1	5.335	30.0	67.3

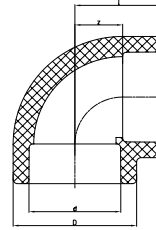
^a Pipes come in standard 19 ft lengths (5.8 m).

^b To calculate dimensions of the pipe in millimeters, multiply the imperial inches measurement by 25.4.

^c To calculate the weight of the pipe in kg/m, multiply the measurement by 1.5.

^d Special order item. Please contact your sales representative for lead times.

aquatherm ELBOW 90° (MOLDED, SOCKET)

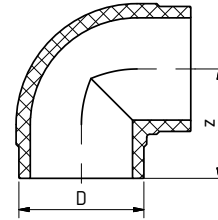


New Part no.	Old Part no.	Dimension (ND – OD)	d	z	l	D	Weight
			[in]	[in]	[in]	[in]	[lb]
1080020900	0112108	½" – 20 mm	0.79	0.43	1.00	1.16	0.04
1080025901	0112110	¾" – 25 mm	0.98	0.53	1.16	1.34	0.05
1080032902	0112112	1" – 32 mm	1.26	0.67	1.38	1.69	0.09
1080040903	0112114	1 ¼" – 40 mm	1.57	0.83	1.63	2.05	0.17
1080050904	0112116	1 ½" – 50 mm	1.97	1.02	1.95	2.68	0.36
1080063905	0112118	2" – 63 mm	2.48	1.28	2.36	3.31	0.65
1080075906	0112120	2 ½" – 75 mm	2.95	1.52	2.70	3.94	0.98
1080090907	0112122	3" – 90 mm	3.54	1.81	3.11	4.72	1.61
1080110908	0112124	3 ½" – 110 mm	4.33	2.20	3.66	5.79	2.85
1080125909	0112126	4" – 125 mm	4.92	3.01	4.59	6.57	4.42

aquatherm ELBOW 90° SR (SHORT RADIUS, MOLDED, BUTT-FUSION)

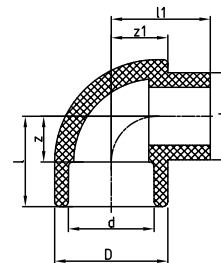
The length of some fittings may not accommodate all butt-fusion equipment.

NOTE: Verify the equipment to be used is compatible with the fittings when ordering.



SDR	New Part no.	Old Part No.	Dimension (ND – OD)	D	z	Weight
				[in]	[in]	[lb]
17.6	2087160021	2512130	6" – 160 mm	6.30	5.71	3.62
	2087200023	2512134	8" – 200 mm	7.87	8.23	6.45
	2087250025	2512138	10" – 250 mm	9.84	9.45	11.8
11	1084160911	0112131	6" – 160 mm	6.30	5.71	5.65
	1084200913	0112135	8" – 200 mm	7.87	8.23	9.26
	1084250915	0112139	10" – 250 mm	9.84	9.45	16.9
9	1083160070	0312130	6" – 160 mm	6.30	5.71	5.23
	1083200071	0312134	8" – 200 mm	7.87	6.88	10.9
	1083250072	0312138	10" – 250 mm	9.84	8.63	19.8

aquatherm STREET 90° female/male



New Part no.	Old Part no.	Dimension (ND – OD)	d	z	l	D	l1	z1	Weight
			[in]	[in]	[in]	[in]	[in]	[in]	[lb]
1080020916	0112308	½" – 20 mm	0.79	0.43	1.00	1.16	1.00	0.59	0.04
1080025917	0112310	¾" – 25 mm	0.98	0.53	1.16	1.34	1.16	0.67	0.05
1080032918	0112312	1" – 32 mm	1.26	0.67	1.38	1.69	1.54	0.85	0.10
1080040919	0112314	1 ¼" – 40 mm	1.57	0.83	1.63	2.05	1.79	1.02	0.18

PRODUCT RANGE – 90(s)

aquatherm blue® ELBOW 90° SD (STANDARD DIMENSION, SEGMENTED, BUTT-FUSION)

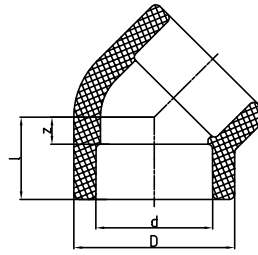


SDR	New Part no.	Old Part no.	Dimension (ND – OD)	d	z	Weight
				[in]	[in, +0.25/-0.0]	[lb]
17.6	9797462142	7462142	12" – 315 mm	12.4	18.0	30.0
	9797462144	7462144	14" – 355 mm	14.0	21.0	44.0
	9797462146	7462146	16" – 400 mm	15.8	24.0	63.0
	9797462148	7462148	18" – 450 mm	17.8	27.0	90.0
	9797462150	7462150	20" – 500 mm	19.7	30.0	123
	9797462154	7462154	24" – 630 mm	24.8	36.0	233
11	9797562142	7562142	12" – 315 mm	12.4	18.0	46.0
	9797562144	7562144	14" – 355 mm	14.0	21.0	67.0
	9797562146	7562146	16" – 400 mm	15.8	24.0	97.0
	9797562148	7562148	18" – 450 mm	17.7	27.0	138
9	9797212142	7212142	12" – 315 mm	12.4	18.0	54.3
	9797212144	7212144	14" – 355 mm	14.0	21.0	80.4

UV Coated fittings available upon request. Contact your Aquatherm Regional Sales Manager for pricing and availability.

PRODUCT RANGE - 45(s)

aquatherm ELBOW 45° (MOLDED, SOCKET)

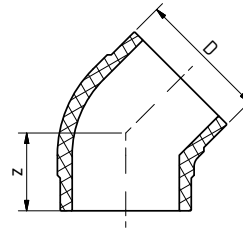


New Part no.	Old Part no.	Dimension (ND – OD)	d	z	l	D	Weight [lb]
			[in]	[in]	[in]	[in]	
1080020920	0112508	½" – 20 mm	0.79	0.20	0.77	1.16	0.03
1080025921	0112510	¾" – 25 mm	0.98	0.24	0.87	1.34	0.04
1080032922	0112512	1" – 32 mm	1.26	0.30	1.00	1.69	0.08
1080040923	0112514	1 ¼" – 40 mm	1.57	0.37	1.18	2.05	0.12
1080050924	0112516	1 ½" – 50 mm	1.97	0.45	1.38	2.68	0.25
1080063925	0112518	2" – 63 mm	2.48	0.55	1.63	3.31	0.50
1080075926	0112520	2 ½" – 75 mm	2.95	0.65	1.83	3.94	0.77
1080090927	0112522	3" – 90 mm	3.54	0.77	2.07	4.72	1.25
1080110928	0112524	3 ½" – 110 mm	4.33	0.93	2.38	5.79	2.26
1080125929	0112526	4" – 125 mm	4.92	1.06	2.64	6.57	2.93

aquatherm ELBOW 45° (MOLDED, BUTT-FUSION)

The length of some fittings may not accommodate all butt-fusion equipment.

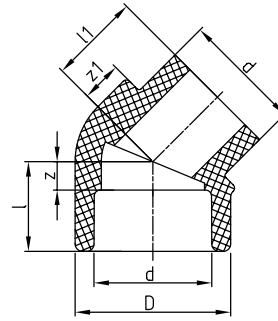
NOTE: Verify the equipment to be used is compatible with the fittings when ordering.



SDR	New Part no.	Old Part No.	Dimension (ND – OD)	D	z	Weight [lb]
				[in]	[in]	
17.6	2087160020	2512530	6" – 160 mm	6.30	3.74	2.38
	2087200022	2512534	8" – 200 mm	7.87	5.75	4.52
	2087250024	2512538	10" – 250 mm	9.84	7.17	8.82
11	1084160931	0112531	6" – 160 mm	6.30	3.74	3.07
	1084200933	0112535	8" – 200 mm	7.87	5.75	6.64
	1084250935	0112539	10" – 250 mm	9.84	7.17	13.0
9	1083160030	0312530	6" – 160 mm	6.30	3.74	3.36
	1083200031	0312534	8" – 200 mm	7.87	5.75	7.86
	1083250032	0312538	10" – 250 mm	9.84	7.17	15.3

PRODUCT RANGE - 45(s)

aquatherm STREET 45° female/male



New Part no.	Old Part no.	Dimension (ND – OD)	d	z	l	D	l1	z1	Weight [lb]
			[in]	[in]	[in]	[in]	[in]	[in]	
1080020936	0112708	½" – 20 mm	0.79	0.20	0.77	1.16	0.77	0.35	0.03
1080025937	0112710	¾" – 25 mm	0.98	0.24	0.87	1.34	0.87	0.33	0.04
1080032938	0112712	1" – 32 mm	1.26	0.30	1.00	1.69	1.12	0.45	0.08
1080040939	0112714	1 ¼" – 40 mm	1.57	0.37	1.18	2.05	1.20	0.53	0.13

aquatherm blue® ELBOW 45° SD (SEGMENTED, BUTT-FUSION)



SDR	New Part no.	Old Part no.	Dimension (ND – OD)	d	z	Weight [lb]
				[in]	[in, +0.25/-0.0]	
17.6	9797462542	7462542	12" – 315 mm	12.4	7.50	15.0
	9797462544	7462544	14" – 355 mm	14.0	8.75	22.0
	9797462546	7462546	16" – 400 mm	15.8	10.0	31.0
	9797462548	7462548	18" – 450 mm	17.7	11.3	44.0
	9797462550	7462550	20" – 500 mm	19.7	12.5	60.0
	9797462554	7462554	24" – 630 mm	24.8	15.0	114
11	9797562542	7562542	12" – 315 mm	12.4	7.50	22.0
	9797562544	7562544	14" – 355 mm	14.0	8.75	33.0
	9797562546	7562546	16" – 400 mm	15.8	10.0	48.0
	9797562548	7562548	18" – 450 mm	17.7	11.3	67.0
9	9797212542	7212542	12" – 315 mm	12.4	7.50	26.1
	9797212544	7212544	14" – 355 mm	14.0	8.75	38.7

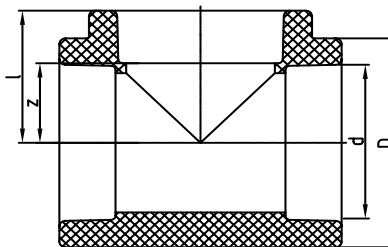
*Made with the Z-value of the ANSI B16.9 3D fittings with a larger Z-value.
 UV Coated fittings available upon request. Contact your Aquatherm Regional Sales Manager for pricing and availability.

PRODUCT RANGE – TEE(S)

aquatherm TEE (MOLDED, SOCKET)

The length of some fittings may not fit all bench-top fusion equipment.

NOTE: Verify the equipment to be used is compatible with the fittings when ordering.

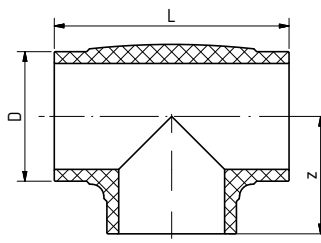


New Part no.	Old Part no.	Dimension (ND – OD)	d	z	l	D	Weight
			[in]	[in]	[in]	[in]	[lb]
1060020900	0113108	½" – 20 mm	0.79	0.43	1.00	1.16	0.05
1060025901	0113110	¾" – 25 mm	0.98	0.59	1.22	1.34	0.07
1060032902	0113112	1" – 32 mm	1.26	0.67	1.38	1.69	0.12
1060040903	0113114	1 ¼" – 40 mm	1.57	0.79	1.59	2.05	0.22
1060050904	0113116	1 ½" – 50 mm	1.97	1.02	1.95	2.68	0.39
1060063905	0113118	2" – 63 mm	2.48	1.28	2.36	3.31	0.81
1060075906	0113120	2 ½" – 75 mm	2.95	1.52	2.70	3.94	1.19
1060090907	0113122	3" – 90 mm	3.54	1.81	3.11	4.72	2.03
1060110908	0113124	3 ½" – 110 mm	4.33	2.20	3.66	5.79	3.52
1060125909	0113126	4" – 125 mm	4.92	3.01	4.59	6.57	5.89

aquatherm TEE (MOLDED, BUTT-FUSION)

The length of some fittings may not accommodate all butt-fusion equipment.

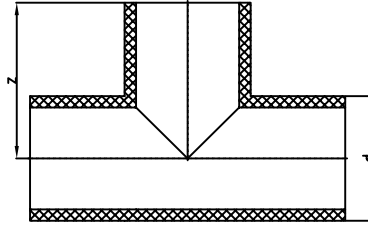
NOTE: Verify the equipment to be used is compatible with the fittings when ordering.



SDR	New Part no.	Old Part No.	Dimension (ND – OD)	d	z	L	Weight
				[in]	[in]	[in]	[lb]
17.6	2067160010	2513130	6" – 160 mm	6.30	5.71	11.4	5.18
	2067200011	2513134	8" – 200 mm	7.87	8.07	16.1	8.87
	2067250012	2513138	10" – 250 mm	9.84	9.57	19.1	17.2
11	1064160911	0113131	6" – 160 mm	6.30	5.71	11.4	5.18
	1064200913	0113135	8" – 200 mm	7.87	8.07	16.1	12.6
	1064250915	0113139	10" – 250 mm	9.84	9.57	19.1	24.1
9	1063160019	0313130	6" – 160 mm	6.30	5.71	11.4	7.25
	1063200020	0313134	8" – 200 mm	7.87	8.07	16.1	14.8
	1063250021	0313138	10" – 250 mm	9.84	9.57	19.1	28.1

PRODUCT RANGE – TEE(S)

aquatherm blue® TEE (SEGMENTED, BUTT-FUSION)



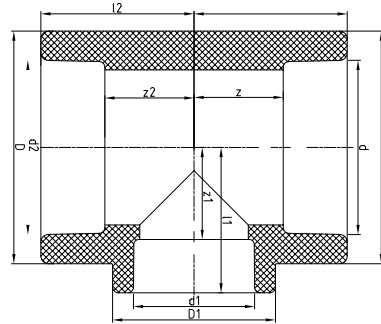
SDR	New Part no.	Old Part No.	Dimension (ND – OD)	d	z	Weight
				[in]	[in, +0.25/-0.0]	lb/pc
17.6	9797563142	7563142	12" – 315 mm	12.4	18.1	48.0
	9797563144	7563144	14" – 355 mm	14.0	18.9	63.0
	9797563146	7563146	16" – 400 mm	15.8	19.7	82.0
	9797563148	7563148	18" – 450 mm	17.7	20.7	108
	9797563150	7563150	20" – 500 mm	19.7	23.6	152
	9797563154	7563154	24" – 630 mm	24.1	26.2	265
11	9792063143	2063143	12" – 315 mm	12.4	18.1	74.0
	9792063145	2063145	14" – 355 mm	14.0	18.9	97.0
	9792063147	2063147	16" – 400 mm	15.8	19.7	127
	9792063149	2063149	18" – 450 mm	17.7	20.7	166
9	9790813142	0813142	12" – 315 mm	12.4	18.1	94.6
	9790813144	0813144	14" – 355 mm	14.0	18.9	125.4

UV Coated fittings available upon request. Contact your Aquatherm Regional Sales Manager for pricing and availability.

PRODUCT RANGE - REDUCING TEE(S)

aquatherm REDUCING TEE (MOLDED, SOCKET) (inlet, outlet, branch)

The length of some fittings may not fit all bench-top fusion equipment.



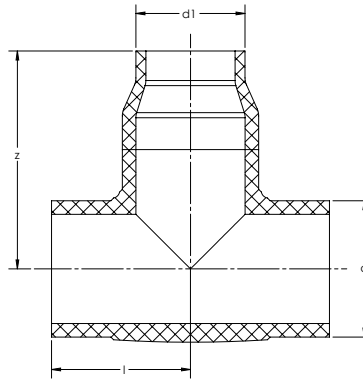
New Part no.	Old Part no.	Dimension (ND - OD)	d	d1	d2	l	l1	l2	z	z1	z2	D	D1	Weight
			[in]	[in]	[in]	[in]	[in]	[in]	[in]	[in]	[in]	[in]	[in]	[in]
1060020920	0113511	½" x ½" x ¼" - 20 x 20 x 25 mm	0.79	0.98	0.79	1.22	1.20	1.22	0.65	0.57	0.65	1.34	1.34	0.09
1060025921	0113520	¾" x ½" x ¼" - 25 x 20 x 20 mm	0.98	0.79	0.79	1.22	1.20	1.22	0.65	0.63	0.65	1.34	1.34	0.08
1060025922	0113522	¾" x ¾" x ½" - 25 x 25 x 20 mm	0.98	0.79	0.98	1.22	1.20	1.22	0.65	0.63	0.65	1.34	1.34	0.08
1060032924	0113532	1" x ½" x ½" - 32 x 20 x 20 mm	1.26	0.79	0.79	1.44	1.46	1.44	0.74	0.89	0.74	1.69	1.69	0.17
1060032925	0113534	1" x 1" x ½" - 32 x 32 x 20 mm	1.26	0.79	1.26	1.38	1.22	1.38	0.67	0.65	0.67	1.69	1.16	0.12
1060032926	0113538	1" x ¾" x ¾" - 32 x 25 x 25 mm	1.26	0.98	0.98	1.38	1.36	1.38	0.67	0.73	0.67	1.69	1.69	0.15
1060032927	0113540	1" x 1" x ¾" - 32 x 32 x 25 mm	1.26	0.98	1.26	1.38	1.36	1.38	0.67	0.73	0.67	1.69	1.69	0.11
1060040928	0113542	1 ¼" x 1 ¼" x ½" - 40 x 40 x 20 mm	1.57	0.79	1.57	1.63	1.42	1.63	0.83	0.85	0.83	2.05	1.34	0.20
1060040929	0113544	1 ¼" x 1 ¼" x ¾" - 40 x 40 x 25 mm	1.57	0.98	1.57	1.63	1.42	1.63	0.83	0.79	0.83	2.05	1.34	0.20
1060040930	0113546	1 ¼" x 1 ¼" x 1" - 40 x 40 x 32 mm	1.57	1.26	1.57	1.65	1.59	1.65	0.85	0.89	0.85	2.05	2.05	0.20
1060050931	0113547	1 ½" x 1 ½" x ½" - 50 x 50 x 20 mm	1.97	0.79	1.97	1.95	1.59	1.95	1.02	1.02	1.02	2.68	1.16	0.36
1060050932	0113548	1 ½" x 1 ½" x ¾" - 50 x 50 x 25 mm	1.97	0.98	1.97	1.95	1.75	1.95	1.02	1.12	1.02	2.68	1.69	0.35
1060050933	0113550	1 ½" x 1 ½" x 1" - 50 x 50 x 32 mm	1.97	1.26	1.97	1.95	1.75	1.95	1.02	1.04	1.02	2.68	1.69	0.35
1060050934	0113551	1 ½" x 1 ½" x 1 ¼" - 50 x 50 x 40 mm	1.97	1.57	1.97	1.95	1.95	1.95	1.02	1.14	1.02	2.68	2.68	0.36
1060063935	0113552	2" x 2" x ½" - 63 x 63 x 20 mm	2.48	0.79	2.48	2.36	1.91	2.36	1.28	1.34	1.28	3.31	1.34	0.74
1060063936	0113554	2" x 2" x ¾" - 63 x 63 x 25 mm	2.48	0.98	2.48	2.36	1.91	2.36	1.28	1.28	1.28	3.31	1.34	0.73
1060063937	0113556	2" x 2" x 1" - 63 x 63 x 32 mm	2.48	1.26	2.48	2.36	2.11	2.36	1.28	1.40	1.28	3.31	2.05	0.75
1060063938	0113558	2" x 2" x 1 ¼" - 63 x 63 x 40 mm	2.48	1.57	2.48	2.36	2.11	2.36	1.28	1.30	1.28	3.31	2.05	0.73
1060063939	0113560	2" x 2" x 1 ½" - 63 x 63 x 50 mm	2.48	1.97	2.48	2.36	2.36	2.36	1.28	1.44	1.28	3.31	3.31	0.88
1060075940	0113561	2 ½" x 2 ½" x ½" - 75 x 75 x 20 mm	2.95	0.79	2.95	2.70	2.15	2.70	1.52	1.57	1.52	3.94	1.34	1.10
1060075941	0113562	2 ½" x 2 ½" x ¾" - 75 x 75 x 25 mm	2.95	0.98	2.95	2.70	2.15	2.70	1.52	1.52	1.52	3.94	1.34	1.10
1060075942	0113564	2 ½" x 2 ½" x 1" - 75 x 75 x 32 mm	2.95	1.26	2.95	2.70	2.32	2.70	1.52	1.61	1.52	3.94	2.05	1.11
1060075943	0113566	2 ½" x 2 ½" x 1 ¼" - 75 x 75 x 40 mm	2.95	1.57	2.95	2.70	2.32	2.70	1.52	1.52	1.52	3.94	2.05	1.10
1060075944	0113568	2 ½" x 2 ½" x 1 ½" - 75 x 75 x 50 mm	2.95	1.97	2.95	2.70	2.60	2.70	1.52	1.67	1.52	3.94	3.31	1.21
1060075945	0113570	2 ½" x 2 ½" x 2" - 75 x 75 x 63 mm	2.95	2.48	2.95	2.70	2.60	2.70	1.52	1.52	1.52	3.94	3.31	1.13
1060090946	0113576	3" x 3" x 1" - 90 x 90 x 32 mm	3.54	1.26	3.54	3.11	2.56	3.11	1.81	1.85	1.81	4.72	2.05	1.94
1060090947	0113578	3" x 3" x 1 ¼" - 90 x 90 x 40 mm	3.54	1.57	3.54	3.11	2.56	3.11	1.81	1.75	1.81	4.72	2.05	1.90
1060090948	0113580	3" x 3" x 1 ½" - 90 x 90 x 50 mm	3.54	1.97	3.54	3.11	2.95	3.11	1.81	2.03	1.81	4.72	3.31	2.00
1060090949	0113582	3" x 3" x 2" - 90 x 90 x 63 mm	3.54	2.48	3.54	3.11	2.95	3.11	1.81	1.87	1.81	4.72	3.31	1.93
1060090950	0113584	3" x 3" x 2 ½" - 90 x 90 x 75 mm	3.54	2.95	3.54	3.11	3.19	3.11	1.81	2.01	1.81	4.72	4.72	2.18
1060110951	0113586	3 ½" x 3 ½" x 2" - 110 x 110 x 63 mm	4.33	2.48	4.33	3.66	3.44	3.66	2.20	2.36	2.20	5.79	4.33	3.44
1060110952	0113588	3 ½" x 3 ½" x 2 ½" - 110 x 110 x 75 mm	4.33	2.95	4.33	3.66	3.44	3.66	2.20	2.26	2.20	5.79	4.33	3.33
1060110953	0113590	3 ½" x 3 ½" x 3" - 110 x 110 x 90 mm	4.33	3.54	4.33	3.66	3.50	3.66	2.20	2.20	2.20	5.79	4.72	3.41
1060125954	0113592	4" x 4" x 2 ½" - 125 x 125 x 75 mm	4.92	2.95	4.92	4.59	4.19	4.59	3.01	3.01	3.01	6.57	3.94	5.35
1060125955	0113594	4" x 4" x 3" - 125 x 125 x 90 mm	4.92	3.54	4.92	4.59	4.31	4.59	3.01	3.01	3.01	6.57	4.72	5.53
1060125956	0113596	4" x 4" x 3 ½" - 125 x 125 x 110 mm	4.92	4.33	4.92	4.59	4.47	4.59	3.01	3.01	3.01	6.57	5.79	5.65

Please note that the descriptions above provide the dimensions following the North American norm (run x run x branch), but the packaging may follow the European norm (run x branch x run). The part number is the same regardless.

PRODUCT RANGE - REDUCING TEE(S)

aquatherm REDUCING TEE (MOLDED, BUTT-FUSION)

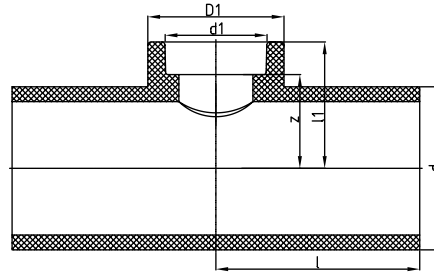
NOTE: Verify the equipment to be used is compatible with the fittings when ordering.



SDR	New Part no.	Old Part No.	Dimension (ND — OD)	d [in]	d1 [in]	z [in]	l [in]	Weight lb/pc
17.6	9792523604	2523604	6" x 6" x 4" - 160 x 160 x 125 mm	6.30	4.92	8.37	5.71	6.23
	9792523618	2523618	8" x 8" x 6" - 200 x 200 x 160 mm	7.87	6.30	12.6	8.07	11.7
	9792523634	2523634	10" x 10" x 6" - 250 x 250 x 160 mm	9.84	6.30	15.6	9.57	22.2
	9792523640	2523640	10" x 10" x 8" - 250 x 250 x 200 mm	9.84	7.87	15.6	9.57	22.6
11	9792623605	2623605	6" x 6" x 4" - 160 x 160 x 125 mm	6.30	4.92	8.37	5.71	7.93
	9792623619	2623619	8" x 8" x 6" - 200 x 200 x 160 mm	7.87	6.30	12.6	8.07	16.4
	9792623635	2623635	10" x 10" x 6" - 250 x 250 x 160 mm	9.84	6.30	15.6	9.57	31.0
	9792623641	2623641	10" x 10" x 8" - 250 x 250 x 200 mm	9.84	7.87	15.6	9.57	31.5
9	9790823604	0823604	6" x 6" x 4" - 160 x 160 x 125 mm	6.30	4.92	8.37	5.71	9.04
	9790823618	0823618	8" x 8" x 6" - 200 x 200 x 160 mm	7.87	6.30	12.6	8.07	19.0
	9790823634	0823634	10" x 10" x 6" - 250 x 250 x 160 mm	9.84	6.30	15.6	9.57	35.9
	9790823640	0823640	10" x 10" x 8" - 250 x 250 x 200 mm	9.84	7.87	15.6	9.57	36.6

PRODUCT RANGE – REDUCING TEE(S)

aquatherm blue® REDUCING TEE (OUTLET) (inlet, outlet, branch)



SDR	New Part no.	Old Part no.	Dimension (ND – OD)	d	d1	l	l1	z	D1	Weight
				[in]	[in]	[in]	[in]	[in]	[in]	[lb]
17.6	9792563600	2563600	6" x 6" x 2 1/2" – 160 x 160 x 75 mm	6.30	2.95	9.06	4.80	3.62	3.94	4.91
	9792563602	2563602	6" x 6" x 3" – 160 x 160 x 90 mm	6.30	3.54	9.06	4.92	3.62	4.27	5.21
	9792563608	2563608	8" x 8" x 2 1/2" – 200 x 200 x 75 mm	7.87	2.95	11.8	5.59	4.41	3.94	7.98
	9792563610	2563610	8" x 8" x 3" – 200 x 200 x 90 mm	7.87	3.54	11.8	5.71	4.41	4.27	8.25
	9792563612	2563612	8" x 8" x 3 1/2" – 200 x 200 x 110 mm	7.87	4.33	11.8	5.87	4.41	5.79	8.77
	9792563614	2563614	8" x 8" x 4" – 200 x 200 x 125 mm	7.87	4.92	11.8	6.10	4.53	6.57	9.41
	9792563624	2563624	10" x 10" x 2 1/2" – 250 x 250 x 75 mm	9.84	2.95	14.8	6.57	5.39	3.94	18.0
	9792563626	2563626	10" x 10" x 3" – 250 x 250 x 90 mm	9.84	3.54	14.8	6.69	5.39	4.27	18.3
	9792563628	2563628	10" x 10" x 3 1/2" – 250 x 250 x 110 mm	9.84	4.33	14.8	6.85	5.39	5.79	18.8
	9792563630	2563630	10" x 10" x 4" – 250 x 250 x 125 mm	9.84	4.92	14.8	7.09	5.51	6.57	19.8
	9792563651	2563651	12" x 12" x 4" – 315 x 315 x 125 mm	12.4	4.92	18.1	8.39	6.81	6.57	38.7
	9792563653	2563653 ^a	12" x 12" x 6" – 315 x 315 x 160 mm	12.4	-	18.1	9.37	-	6.30	36.8
	9792563663	2563663	14" x 14" x 4" – 355 x 355 x 125 mm	14.0	4.92	18.9	9.17	7.60	6.57	47.4
	9792563665	2563665 ^a	14" x 14" x 6" – 355 x 355 x 160 mm	14.0	-	18.9	10.2	-	6.30	47.4
	9792563667	2563667 ^a	14" x 14" x 8" – 355 x 355 x 200 mm	14.0	-	18.9	10.5	-	7.87	48.3
	9792563676	2563676	16" x 16" x 4" – 400 x 400 x 125 mm	15.8	4.92	19.7	10.0	8.46	6.57	61.1
	9792563678	2563678 ^a	16" x 16" x 6" – 400 x 400 x 160 mm	15.8	-	19.7	11.0	-	6.30	65.5
	9792563680	2563680 ^a	16" x 16" x 8" – 400 x 400 x 200 mm	15.8	-	19.7	11.0	-	7.87	65.5
	9792563682	2563682 ^a	16" x 16" x 10" – 400 x 400 x 250 mm	15.8	-	19.7	11.0	-	9.84	63.9
	9792563690	2563690	18" x 18" x 4" – 450 x 450 x 125 mm	17.7	4.92	20.7	11.0	9.45	6.57	80.4
	9792563692	2563692 ^a	18" x 18" x 6" – 450 x 450 x 160 mm	17.7	-	20.7	12.0	-	6.30	81.6
	9792563694	2563694 ^a	18" x 18" x 8" – 450 x 450 x 200 mm	17.7	-	20.7	12.0	-	7.87	81.6
	9792563696	2563696 ^a	18" x 18" x 10" – 450 x 450 x 250 mm	17.7	-	20.7	12.0	-	9.84	81.6
	9792563698	2563698 ^a	18" x 18" x 12" – 450 x 450 x 315 mm	17.7	-	20.7	12.4	-	12.4	81.6
	9792563804	2563804	20" x 20" x 4" – 500 x 500 x 125 mm	19.7	4.92	23.6	12.0	10.4	6.57	113
	9792563806	2563806 ^a	20" x 20" x 6" – 500 x 500 x 160 mm	19.7	-	23.6	13.0	-	6.30	118
	9792563808	2563808 ^a	20" x 20" x 8" – 500 x 500 x 200 mm	19.7	-	23.6	13.0	-	7.87	118
	9792563810	2563810 ^a	20" x 20" x 10" – 500 x 500 x 250 mm	19.7	-	23.6	13.0	-	9.84	118
9792563812	2563812 ^a	20" x 20" x 12" – 500 x 500 x 315 mm	19.7	-	23.6	13.3	-	12.4	119	
9792563839	2563839	24" x 24" x 4" – 630 x 630 x 125 mm	24.8	4.92	26.2	14.6	13.0	6.57	197	
9792563841	2563841 ^a	24" x 24" x 6" – 630 x 630 x 160 mm	24.8	-	26.2	15.7	-	6.30	202	
9792563843	2563843 ^a	24" x 24" x 8" – 630 x 630 x 200 mm	24.8	-	26.2	15.7	-	7.87	202	
9792563845	2563845 ^a	24" x 24" x 10" – 630 x 630 x 250 mm	24.8	-	26.2	15.7	-	9.84	202	
9792563847	2563847 ^a	24" x 24" x 12" – 630 x 630 x 315 mm	24.8	-	26.2	16.1	-	12.4	204	

^aBranch outlet has a butt-fusion connection.

PRODUCT RANGE – REDUCING TEE(S)

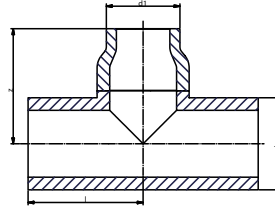
aquatherm blue® REDUCING TEE (OUTLET) (continued)

SDR	New Part no.	Old Part no.	Dimension (ND – OD)	d	d1	l	l1	z	D1	Weight
				[in]	[in]	[in]	[in]	[in]	[in]	[lb]
11	9792663601	2663601	6" x 6" x 2 1/2" – 160 x 160 x 75 mm	6.30	2.95	9.06	4.80	3.62	3.94	7.33
	9792663603	2663603	6" x 6" x 3" – 160 x 160 x 90 mm	6.30	3.54	9.06	4.92	3.62	4.72	11.4
	9792663609	2663609	8" x 8" x 2 1/2" – 200 x 200 x 75 mm	7.87	2.95	11.8	5.59	4.41	3.94	12.0
	9792663611	2663611	8" x 8" x 3" – 200 x 200 x 90 mm	7.87	3.54	11.8	5.71	4.41	4.72	12.3
	9792663613	2663613	8" x 8" x 3 1/2" – 200 x 200 x 110 mm	7.87	4.33	11.8	5.87	4.41	5.79	12.8
	9792663615	2663615	8" x 8" x 4" – 200 x 200 x 125 mm	7.87	4.92	11.8	6.10	4.53	6.57	13.5
	9792663625	2663625	10" x 10" x 2 1/2" – 250 x 250 x 75 mm	9.84	2.95	14.8	6.57	5.39	3.94	27.4
	9792663627	2663627	10" x 10" x 3" – 250 x 250 x 90 mm	9.84	3.54	14.8	6.69	5.39	4.72	27.4
	9792663629	2663629	10" x 10" x 3 1/2" – 250 x 250 x 110 mm	9.84	4.33	14.8	6.85	5.39	5.79	28.1
	9792663631	2663631	10" x 10" x 4" – 250 x 250 x 125 mm	9.84	4.92	14.8	7.09	5.51	6.57	28.7
	9792063651	2063651	12" x 12" x 4" – 315 x 315 x 125 mm	12.4	4.92	18.1	8.39	6.81	6.57	55.1
	9792063653	2063653 ^a	12" x 12" x 6" – 315 x 315 x 160 mm	12.4	-	18.1	9.37	-	6.30	55.2
	9792063663	2063663	14" x 14" x 4" – 355 x 355 x 125 mm	14.0	4.92	18.9	9.17	7.60	6.57	71.7
	9792063665	2063665 ^a	14" x 14" x 6" – 355 x 355 x 160 mm	14.0	-	18.9	10.2	-	6.30	71.7
	9792063667	2063667 ^a	14" x 14" x 8" – 355 x 355 x 200 mm	14.0	-	18.9	10.5	-	7.87	66.6
	9792063676	2063676	16" x 16" x 4" – 400 x 400 x 125 mm	15.8	4.92	19.7	10.0	8.46	6.57	92.8
	9792063678	2063678 ^a	16" x 16" x 6" – 400 x 400 x 160 mm	15.8	-	19.7	10.1	-	6.30	97.2
	9792063680	2063680 ^a	16" x 16" x 8" – 400 x 400 x 200 mm	15.8	-	19.7	11.0	-	7.87	97.2
	9792063682	2063682 ^a	16" x 16" x 10" – 400 x 400 x 250 mm	15.8	-	19.7	11.0	-	9.84	101
	9792063690	2063690	18" x 18" x 4" – 450 x 450 x 125 mm	17.7	4.92	20.7	11.0	9.45	6.57	123
9792063692	2063692 ^a	18" x 18" x 6" – 450 x 450 x 160 mm	17.7	-	20.7	12.0	-	6.30	128	
9792063694	2063694 ^a	18" x 18" x 8" – 450 x 450 x 200 mm	17.7	-	20.7	12.0	-	7.87	128	
9792063696	2063696 ^a	18" x 18" x 10" – 450 x 450 x 250 mm	17.7	-	20.7	12.0	-	9.84	128	
9792063698	2063698 ^a	18" x 18" x 12" – 450 x 450 x 315 mm	17.7	-	20.7	12.4	-	12.4	129	
9	9790813600	0813600	6" x 6" x 2 1/2" – 160 x 160 x 75 mm	6.30	2.95	9.06	4.80	3.62	3.94	8.69
	9790813602	0813602	6" x 6" x 3" – 160 x 160 x 90 mm	6.30	3.54	9.06	4.92	3.62	4.27	8.96
	9790813608	0813608	8" x 8" x 2 1/2" – 200 x 200 x 75 mm	7.87	2.95	11.8	5.59	4.41	3.94	17.1
	9790813610	0813610	8" x 8" x 3" – 200 x 200 x 90 mm	7.87	3.54	11.8	5.71	4.41	4.27	17.4
	9790813612	0813612	8" x 8" x 3 1/2" – 200 x 200 x 110 mm	7.87	4.33	11.8	5.87	4.41	5.79	18.0
	9790813614	0813614	8" x 8" x 4" – 200 x 200 x 125 mm	7.87	4.92	11.8	6.10	4.53	6.57	18.0
	9790813624	0813624	10" x 10" x 2 1/2" – 250 x 250 x 75 mm	9.84	2.95	14.8	6.57	5.39	3.94	32.9
	9790813626	0813626	10" x 10" x 3" – 250 x 250 x 90 mm	9.84	3.54	14.8	6.69	5.39	4.27	33.2
	9790813628	0813628	10" x 10" x 3 1/2" – 250 x 250 x 110 mm	9.84	4.33	14.8	6.85	5.39	5.79	33.8
	9790813630	0813630	10" x 10" x 4" – 250 x 250 x 125 mm	9.84	4.92	14.8	7.09	5.51	6.57	34.2
	9790813904	0813904	12" x 12" x 4" – 315 x 315 x 125 mm	12.4	4.92	18.1	8.39	6.81	6.57	63.4
	9790813906	0813906 ^a	12" x 12" x 6" – 315 x 315 x 160 mm	12.4	-	18.1	9.37	-	6.30	65.0
	9790813916	0813916	14" x 14" x 4" – 355 x 355 x 125 mm	14.0	4.92	18.9	9.17	7.60	6.57	85.3
	9790813918	0813918 ^a	14" x 14" x 6" – 355 x 355 x 160 mm	14.0	-	18.9	10.2	-	6.30	85.4
	9790813920	0813920 ^a	14" x 14" x 8" – 355 x 355 x 200 mm	14.0	-	18.9	10.5	-	7.87	85.5

^aBranch outlet has a butt-fusion connection.

PRODUCT RANGE - REDUCING TEE(S)

aquatherm blue® REDUCING TEE (REDUCER) (inlet, outlet, branch)

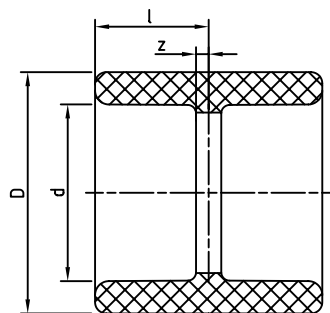


SDR	New Part no.	Old Part no.	Dimension (ND – OD)	d	d1	l	z	Weight [lb]
				[in]	[in]	[in]	[in, +0.25/-0.0]	
17.6	9792563655	2563655	12" x 12" x 8" – 315 x 315 x 200 mm	12.4	7.87	18.1	18.1	48.0
	9792563657	2563657	12" x 12" x 10" – 315 x 315 x 250 mm	12.4	9.84	18.1	18.1	44.5
	9792563669	2563669	14" x 14" x 10" – 355 x 355 x 250 mm	14.0	9.84	18.9	18.9	54.6
	9792563671	2563671	14" x 14" x 12" – 355 x 355 x 315 mm	14.0	12.4	18.9	18.9	58.6
	9792563684	2563684	16" x 16" x 12" – 400 x 400 x 315 mm	15.8	12.4	19.7	19.7	69.3
	9792563685	2563685	16" x 16" x 14" – 400 x 400 x 355 mm	15.8	14.0	19.7	19.7	68.6
	9792563699	2563699	18" x 18" x 14" – 450 x 450 x 355 mm	17.7	14.0	20.7	20.7	94.6
	9792563700	2563700	18" x 18" x 16" – 450 x 450 x 400 mm	17.7	15.8	20.7	20.7	93.8
	9792563813	2563813	20" x 20" x 14" – 500 x 500 x 355 mm	19.7	14.0	23.6	23.6	137
	9792563814	2563814	20" x 20" x 16" – 500 x 500 x 400 mm	19.7	15.8	23.6	23.6	137
	9792563815	2563815	20" x 20" x 18" – 500 x 500 x 450 mm	19.7	17.7	23.6	23.6	135
	9792563849	2563849	24" x 24" x 16" – 630 x 630 x 400 mm	24.8	15.8	26.2	26.2	246
	9792563850	2563850	24" x 24" x 18" – 630 x 630 x 450 mm	24.8	17.7	26.2	26.2	247
	9792563851	2563851	24" x 24" x 20" – 630 x 630 x 500 mm	24.8	19.7	26.2	26.2	242
11	9792063655	2063655	12" x 12" x 8" – 315 x 315 x 200 mm	12.4	7.87	18.1	18.1	66.3
	9792063657	2063657	12" x 12" x 10" – 315 x 315 x 250 mm	12.4	9.84	18.1	18.1	66.7
	9792063669	2063669	14" x 14" x 10" – 355 x 355 x 250 mm	14.0	9.84	18.9	18.9	83.9
	9792063671	2063671	14" x 14" x 12" – 355 x 355 x 315 mm	14.0	12.4	18.9	18.9	90.3
	9792063684	2063684	16" x 16" x 12" – 400 x 400 x 315 mm	15.8	12.4	19.7	19.7	108
	9792063685	2063685	16" x 16" x 14" – 400 x 400 x 355 mm	15.8	14.0	19.7	19.7	107
	9792063699	2063699	18" x 18" x 14" – 450 x 450 x 355 mm	17.7	14.0	20.7	20.7	146
9792063700	2063700	18" x 18" x 16" – 450 x 450 x 400 mm	17.7	15.8	20.7	20.7	146	
9	9790813908	0813908	12" x 12" x 8" – 315 x 315 x 200 mm	12.4	7.87	18.1	18.1	93.1
	9790813910	0813910	12" x 12" x 10" – 315 x 315 x 250 mm	12.4	9.84	18.1	18.1	94.6
	9790813922	0813922	14" x 14" x 10" – 355 x 355 x 250 mm	14.0	9.84	18.9	18.9	122.8
	9790813924	0813924	14" x 14" x 12" – 355 x 355 x 315 mm	14.0	12.4	18.9	18.9	122.2

^a 4" branch is socket fusion. If needed, branch can come with a 1 ft extension to be used for butt-fusion.

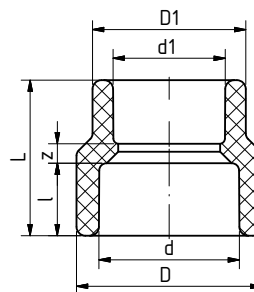
PRODUCT RANGE – COUPLINGS

aquatherm COUPLING



New Part no.	Old Part no.	Dimension (ND – OD)	d	l	z	D	Weight
			[in]	[in]	[in]	[in]	[lb]
1040020911	0111008	½" – 20 mm	0.79	0.63	0.06	1.16	0.02
1040025912	0111010	¾" – 25 mm	0.98	0.69	0.06	1.34	0.03
1040032913	0111012	1" – 32 mm	1.26	0.80	0.09	1.69	0.06
1040040914	0111014	1¼" – 40 mm	1.57	0.94	0.13	2.05	0.10
1040050915	0111016	1½" – 50 mm	1.97	1.04	0.12	2.68	0.19
1040063916	0111018	2" – 63 mm	2.48	1.19	0.11	3.31	0.31
1040075917	0111020	2½" – 75 mm	2.95	1.31	0.13	3.94	0.50
1040090918	0111022	3" – 90 mm	3.54	1.43	0.13	4.72	0.76
1040110919	0111024	3½" – 110 mm	4.33	1.61	0.16	5.79	1.28
1040125920	0111026	4" – 125 mm	4.92	1.77	0.20	6.57	1.86

aquatherm REDUCING COUPLING female/female

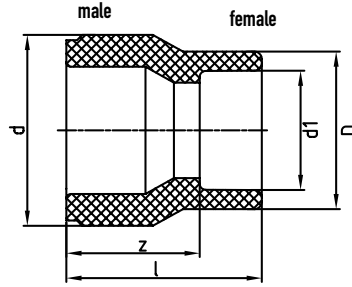


New Part no.	Old Part no.	Dimension (ND – OD)	d	d1	L	l	z	D	D1	Weight
			[in]	[in]	[in]	[in]	[in]	[in]	[in]	[lb]
1040040967	0111222	1 ¼" to 1" – 40 to 32 mm	1.57	1.26	1.73	0.94	0.14	2.05	1.69	0.08
1040050968	0111228	1 ½" to 1" – 50 to 32 mm	1.97	1.26	1.85	1.04	0.12	2.68	1.69	0.14
1040050969	0111230	1 ½" to 1 ¼" – 50 to 40 mm	1.97	1.57	1.99	1.04	0.12	2.68	2.05	0.15
1040063970	0111236	2" to 1 ¼" – 63 to 40 mm	2.48	1.57	2.13	1.20	0.12	3.31	2.05	0.25
1040063971	0111238	2" to 1 ½" – 63 to 50 mm	2.48	1.97	2.20	1.18	0.10	3.31	2.68	0.27
1040075972	0111240	2 ½" to 1 ½" – 75 to 50 mm	2.95	1.97	2.68	1.32	0.57	3.94	2.68	0.39
1040075973	0111242	2 ½" to 2" – 75 to 63 mm	2.95	2.48	2.46	1.28	0.10	3.94	3.31	0.41
1040090974	0111252	3" to 2" – 90 to 63 mm	3.54	2.48	2.62	1.44	0.14	4.72	3.31	0.61
1040090975	0111253	3" to 2 ½" – 90 to 75 mm	3.54	2.95	2.72	1.42	0.12	4.72	3.94	0.65
1040110976	0111257	3 ½" to 2 ½" – 110 to 75 mm	4.33	2.95	2.93	1.61	0.16	5.79	3.94	1.14
1040110977	0111259	3 ½" to 3" – 110 to 90 mm	4.33	3.54	3.05	1.61	0.16	5.79	4.72	1.15
1040125978	0111263	4" to 3" – 125 to 90 mm	4.92	3.54	3.27	1.81	0.24	6.57	4.72	1.65
1040125979	0111265	4" to 3 ½" – 125 to 110 mm	4.92	4.33	3.43	1.81	0.24	6.57	5.79	1.60

PRODUCT RANGE - BUSHING

aquatherm BUSHING

Female to male for use with standard fitting. Female side is identified by a socket-fitting structure, male side is identified with a beveled edge. Appearance of bushing will vary by dimension.



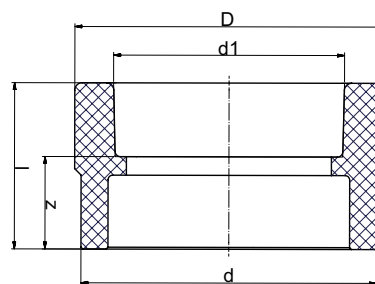
New Part no.	Old Part no.	Dimension (ND - OD) (M-F)	d	d1	l	z	D	Weight
			[in]	[in]	[in]	[in]	[in]	[lb]
1040025923	0111112	¾" to ½" - 25 to 20 mm	1.16	0.79	1.52	0.94	0.98	0.03
1040032924	0111114	1" to ½" - 32 to 20 mm	1.26	0.79	1.48	0.91	1.16	0.03
1040032925	0111116	1" to ¾" - 32 to 25 mm	1.34	0.98	1.50	0.87	1.26	0.03
1040040926	0111118	1 ¼" to ½" - 40 to 20 mm	1.57	0.79	1.77	1.20	1.16	0.05
1040040927	0111120	1 ¼" to ¾" - 40 to 25 mm	1.57	0.98	1.97	1.34	1.34	0.06
1040040928	0111122	1 ¼" to 1" - 40 to 32 mm	1.69	1.26	1.97	1.26	1.57	0.07
1040050929	0111124	1 ½" to ½" - 50 to 20 mm	1.97	0.79	2.17	1.59	1.16	0.10
1040050930	0111126	1 ½" to ¾" - 50 to 25 mm	1.97	0.98	2.17	1.54	1.34	0.10
1040050931	0111128	1 ½" to 1" - 50 to 32 mm	1.97	1.26	2.13	1.42	1.69	0.11
1040050932	0111130	1 ½" to 1 ¼" - 50 to 40 mm	2.05	1.57	2.07	1.26	1.97	0.12
1040063933	0111131	2" to ½" - 63 to 20 mm	2.48	0.79	2.56	1.99	1.16	0.16
1040063934	0111132	2" to ¾" - 63 to 25 mm	2.48	0.98	2.56	1.93	1.34	0.16
1040063935	0111134	2" to 1" - 63 to 32 mm	2.48	1.26	2.44	1.73	1.69	0.18
1040063936	0111136	2" to 1 ¼" - 63 to 40 mm	2.48	1.57	2.56	1.75	2.05	0.23
1040063937	0111138	2" to 1 ½" - 63 to 50 mm	2.68	1.97	2.50	1.57	2.48	0.25
1040075941	0111143	2 ½" to ½" - 75 to 20 mm	2.95	0.79	2.58	2.01	1.36	0.24
1040075942	0111144	2 ½" to ¾" - 75 to 25 mm	2.95	0.98	2.58	1.95	1.36	0.24
1040075943	0111145	2 ½" to 1" - 75 to 32 mm	2.95	1.26	2.74	2.03	2.05	0.31
1040075938	0111139	2 ½" to 1 ¼" - 75 to 40 mm	2.95	1.57	2.74	1.93	2.05	0.29
1040075939	0111140	2 ½" to 1 ½" - 75 to 50 mm	2.95	1.97	2.48	1.56	2.68	0.31
1040075940	0111142	2 ½" to 2" - 75 to 63 mm	3.31	2.48	2.80	1.71	2.95	0.38
1040090944	0111151	3" to 1 ½" - 90 to 50 mm	3.54	1.97	2.95	2.03	2.68	0.43
1040090945	0111152	3" to 2" - 90 to 63 mm	3.54	2.48	3.07	1.99	3.31	0.49
1040090946	0111153	3" to 2 ½" - 90 to 75 mm	3.94	2.95	3.21	2.03	3.54	0.60
1040110947	0111155	3 ½" to 2" - 110 to 63 mm	4.33	2.48	3.39	2.30	3.31	0.79
1040110948	0111157	3 ½" to 2 ½" - 110 to 75 mm	4.33	2.95	3.50	2.32	3.94	0.84
1040110949	0111159	3 ½" to 3" - 110 to 90 mm	4.72	3.54	3.90	2.60	4.33	1.10
1040125950	0111161	4" to 2 ½" - 125 to 75 mm	4.92	2.95	3.98	2.80	3.94	1.14
1040125951	0111163	4" to 3" - 125 to 90 mm	4.92	3.54	3.90	2.60	4.72	1.30
1040125952	0111165	4" to 3 ½" - 125 to 110 mm	5.79	4.33	4.41	2.95	4.92	1.83

PRODUCT RANGE – REDUCING COUPLING

aquatherm REDUCING COUPLING

Socket-fused on one side, butt-fused on the other. The SDR of the fittings must match the SDR of the pipe. The length of some fittings may not accommodate all butt-fusion equipment.

NOTE: Verify the equipment to be used is compatible with the fittings when ordering.



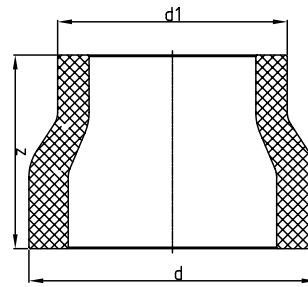
SDR	New Part no.	Old Part no.	Dimension (ND – OD)	d	d1	l	z	D	Weight
				[in]	[in]	[in]	[in]	[in]	[lb]
17.6	2047160001	2511174	6" to 3 1/2" – 160 to 110 mm	6.30	4.33	3.54	2.09	5.79	1.36
	2047160002	2511176	6" to 4" – 160 to 125 mm	6.30	4.92	3.54	1.97	6.57	1.39
	2047200003	2511182	8" to 4" – 200 to 125 mm	7.87	4.92	5.31	3.74	6.57	2.33
11	1044160954	0111175	6" to 3 1/2" – 160 to 110 mm	6.30	4.33	3.54	2.09	5.79	1.44
	1044160956	0111177	6" to 4" – 160 to 125 mm	6.30	4.92	3.54	1.97	6.57	1.40
	1044200958	0111183	8" to 4" – 200 to 125 mm	7.87	4.92	5.31	3.74	6.57	2.96
9	1043160122	0311174	6" to 3 1/2" – 160 to 110 mm	6.30	4.33	3.43	1.97	5.79	1.61
	1043160123	0311176	6" to 4" – 160 to 125 mm	6.30	4.84	3.54	1.97	6.57	1.91
	1043200124	0311182	8" to 4" – 200 to 125 mm	7.87	4.84	5.31	3.74	6.57	3.53

PRODUCT RANGE - BUTT-FUSION REDUCER

aquatherm BUTT-FUSION REDUCER

The butt fusion reducer can be used with **aquatherm blue®** systems, but are all molded from the green **fusiole®** material. The SDR of the fittings must match the SDR of the pipe.

NOTE: The length of some fittings may not accommodate all butt-fusion equipment. Verify the equipment to be used is compatible with the fittings when ordering.

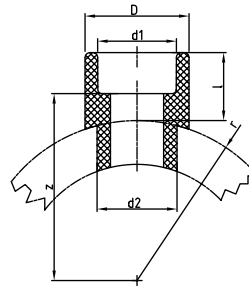


SDR	New Part no.	Old Part no.	Dimension (ND – OD)	d	d1	z	Weight
				[in]	[in]	[in]	[lb]
17.6	2047200004	2511184	8" to 6" – 200 to 160 mm	7.87	6.30	5.31	2.23
	2047250005	2511188	10" to 6" – 250 to 160 mm	9.84	6.30	6.79	3.31
	2047250006	2511190	10" to 8" – 250 to 200 mm	9.84	7.87	6.79	2.95
	2047315008	2511193	12" to 8" – 315 to 200 mm	12.4	7.87	6.79	9.13
	2047315009	2511195	12" to 10" – 315 to 250 mm	12.4	9.84	8.86	7.54
	2047355010	2511197	14" to 10" – 355 to 250 mm	14.0	9.84	9.65	6.83
	2047355011	2511199	14" to 12" – 355 to 315 mm	14.0	12.4	6.30	6.85
	2047400015	2511201	16" to 10" – 400 to 250 mm	15.8	9.84	10.2	9.88
	2047400013	2511203	16" to 12" – 400 to 315 mm	15.8	12.4	10.2	7.42
	2047400014	2511204	16" to 14" – 400 to 355 mm	15.8	14.0	10.2	6.72
	2047450018	2511206	18" to 12" – 450 to 315 mm	17.7	12.4	9.06	10.8
	2047450016	2511207	18" to 14" – 450 to 355 mm	17.7	14.0	9.06	10.3
	2047450017	2511208	18" to 16" – 450 to 400 mm	17.7	15.8	9.06	9.45
	2047500018	2511209	20" to 12" – 500 to 315 mm	19.7	12.4	9.06	17.9
	2047500019	2511210	20" to 14" – 500 to 355 mm	19.7	14.0	9.06	14.3
	2047500020	2511211	20" to 16" – 500 to 400 mm	19.7	15.8	9.06	14.8
	2047500021	2511212	20" to 18" – 500 to 450 mm	19.7	17.7	9.06	12.1
	2047630022	2511216	24" to 16" – 630 to 400 mm	24.8	15.8	7.56	33.3
	2047630023	2511217	24" to 18" – 630 to 450 mm	24.8	17.7	7.87	30.2
	2047630024	2511218	24" to 20" – 630 to 500 mm	24.8	19.7	7.87	24.3
11	1044200960	0111185	8" to 6" – 200 to 160 mm	7.87	6.30	5.31	2.66
	1044250962	0111189	10" to 6" – 250 to 160 mm	9.84	6.30	6.79	5.10
	1044250964	0111191	10" to 8" – 250 to 200 mm	9.84	7.87	6.79	5.27
	1044315121	0111193	12" to 8" – 315 to 200 mm	12.4	7.87	8.86	9.68
	1044315966	0111195	12" to 10" – 315 to 250 mm	12.4	9.84	9.17	10.6
	1044355066	0111197	14" to 10" – 355 to 250 mm	14.0	9.84	6.31	9.77
	1044355067	0111199	14" to 12" – 355 to 315 mm	14.0	12.4	6.30	9.99
	1044400068	0111201	16" to 10" – 400 to 250 mm	15.8	9.84	10.2	16.5
	1044400069	0111203	16" to 12" – 400 to 315 mm	15.8	12.4	10.2	13.4
	1044400070	0111204	16" to 14" – 400 to 355 mm	15.8	14.0	10.2	12.1
	1044450071	0111206	18" to 12" – 450 to 315 mm	17.7	12.4	9.06	20.2
1044450072	0111207	18" to 14" – 450 to 355 mm	17.7	14.0	9.06	16.7	
1044450073	0111208	18" to 16" – 450 to 400 mm	17.7	15.8	9.06	16.7	
9	1043200125	0311184	8" to 6" – 200 to 160 mm	7.87	6.30	5.31	3.50
	1043250126	0311188	10" to 6" – 250 to 160 mm	9.84	6.30	6.79	6.39
	1043250127	0311190	10" to 8" – 250 to 200 mm	9.84	7.87	6.79	7.07
	1043315131	0311192	12" to 8" – 315 to 200 mm	12.4	7.87	8.86	14.0
	1043315128	0311194	12" to 10" – 315 to 250 mm	12.4	9.84	8.86	15.5
	1043355129	0311196	14" to 10" – 355 to 250 mm	14.0	9.84	6.69	12.4
	1043355130	0311198	14" to 12" – 355 to 315 mm	14.0	12.4	6.30	10.9

PRODUCT RANGE – FUSION OUTLETS

aquatherm FUSION OUTLET (SOCKET)

The necessary fusion outlet heads are listed on page 47-48 (part no. 9800050206 - 9800050744). Fusion outlet fittings are rated at SDR 6. Allowances should be made for connection to other SDRs.



New Part no.	Old Part no.	Dimension pipe x outlet (ND – OD)	r	d1	d2	l	z	D	Weight
			[in]	[in]	[in]	[in]	[in]	[in]	[lb]
1030040900	0115156	1 1/4" x 1/2" – 40 x 20 mm	0.79	0.79	0.98	1.06	1.28	1.16	0.03
1030040901	0115158	1 1/4" x 3/4" – 40 x 25 mm	0.79	0.98	0.98	1.12	1.28	1.34	0.04
1030050902	0115160	1 1/2" x 1/2" – 50 x 20 mm	0.99	0.79	0.98	1.08	1.50	1.16	0.04
1030050903	0115162	1 1/2" x 3/4" – 50 x 25 mm	0.99	0.98	0.98	1.12	1.48	1.34	0.04
1030063904	0115164	2 x 1/2" – 63 x 20 mm	1.24	0.79	0.98	1.08	1.75	1.16	0.04
1030063905	0115166	2" x 3/4" – 63 x 25 mm	1.24	0.98	0.98	1.12	1.73	1.34	0.04
1030063906	0115168	2" x 1" – 63 x 32 mm	1.24	1.26	1.26	1.18	1.71	1.69	0.06
1030075907	0115170	2 1/2" x 1/2" – 75 x 20 mm	1.48	0.79	0.98	1.08	1.99	1.16	0.04
1030075908	0115172	2 1/2" x 3/4" – 75 x 25 mm	1.48	0.98	0.98	1.12	1.97	1.34	0.04
1030075909	0115174	2 1/2" x 1" – 75 x 32 mm	1.48	1.26	1.26	1.18	1.95	1.69	0.06
1030075910	0115175	2 1/2" x 1 1/4" – 75 x 40 mm	1.48	1.57	1.57	1.34	2.01	2.05	0.11
1030090911	0115176	3" x 1/2" – 90 x 20 mm	1.77	0.79	0.98	1.08	2.28	1.16	0.04
1030090912	0115178	3" x 3/4" – 90 x 25 mm	1.77	0.98	0.98	1.12	2.26	1.34	0.04
1030090913	0115180	3" x 1" – 90 x 32 mm	1.77	1.26	1.26	1.18	2.24	1.69	0.06
1030090914	0115181	3" x 1 1/4" – 90 x 40 mm	1.77	1.57	1.57	1.34	2.30	2.05	0.11
1030110915	0115182	3 1/2" x 1/2" – 110 x 20 mm	2.17	0.79	0.98	1.08	2.68	1.16	0.04
1030110916	0115184	3 1/2" x 3/4" – 110 x 25 mm	2.17	0.98	0.98	1.12	2.70	1.34	0.04
1030110917	0115186	3 1/2" x 1" – 110 x 32 mm	2.17	1.26	1.26	1.18	2.64	1.69	0.07
1030110918	0115188	3 1/2" x 1 1/4" – 110 x 40 mm	2.17	1.57	1.57	1.34	2.70	2.05	0.11
1030110919	0115189	3 1/2" x 1 1/2" – 110 x 50 mm	2.17	1.97	1.97	1.34	2.58	2.68	0.20
1030125920	0115190	4" x 1/2" – 125 x 20 mm	2.46	0.79	0.98	1.08	2.93	1.16	0.04
1030125921	0115192	4" x 3/4" – 125 x 25 mm	2.46	0.98	0.98	1.12	2.95	1.34	0.04
1030125922	0115194	4" x 1" – 125 x 32 mm	2.46	1.26	1.26	1.18	2.93	1.69	0.06
1030125923	0115196	4" x 1 1/4" – 125 x 40 mm	2.46	1.57	1.57	1.34	2.99	2.05	0.11
1030125924	0115197	4" x 1 1/2" – 125 x 50 mm	2.46	1.97	1.97	1.34	2.87	2.68	0.20
1030125925	0115198	4" x 2" – 125 x 63 mm	2.46	2.48	2.48	1.50	2.87	3.31	0.33
1030160926	0115206	6" x 1/2" – 160 x 20 mm	3.15	0.79	0.98	2.44	3.66	1.16	0.05
1030160927	0115208	6" x 3/4" – 160 x 25 mm	3.15	0.98	0.98	1.12	3.64	1.34	0.05
1030160928	0115210	6" x 1" – 160 x 32 mm	3.15	1.26	1.26	1.18	3.62	1.69	0.07
1030160929	0115212	6" x 1 1/4" – 160 x 40 mm	3.15	1.57	1.57	1.34	3.68	2.05	0.12
1030160930	0115214	6" x 1 1/2" – 160 x 50 mm	3.15	1.97	1.97	1.34	3.56	2.70	0.21
1030160931	0115216	6" x 2" – 160 x 63 mm	3.15	2.48	2.48	1.50	3.56	3.31	0.34
1030160932	0115218	6" x 2 1/2" – 160 x 75 mm	3.15	2.95	2.95	1.65	3.62	3.94	0.52
1030160933	0115220	6" x 3" – 160 x 90 mm	3.15	3.54	3.54	1.77	3.62	4.72	0.79
1030250934	0115228	8" to 10" x 1/2" – 200 to 250 x 20 mm	3.94/4.92	0.79	0.98	1.08	4.45	1.16	0.04
1030250935	0115229	8" to 10" x 3/4" – 200 to 250 x 25 mm	3.94/4.92	0.98	0.98	1.12	4.43	1.34	0.05
1030250936	0115230	8" to 10" x 1" – 200 to 250 x 32 mm	3.94/4.92	1.26	1.26	1.18	4.41	1.69	0.07
1030200937	0115231	8" x 1 1/4" – 200 x 40 mm	3.94	1.57	1.57	1.34	4.47	2.05	0.11
1030200938	0115232	8" x 1 1/2" – 200 x 50 mm	3.94	1.97	1.97	1.34	4.35	2.68	0.19
1030200939	0115233	8" x 2" – 200 x 63 mm	3.94	2.48	2.48	1.48	4.33	3.31	0.32

PRODUCT RANGE – FUSION OUTLETS

aquatherm FUSION OUTLET (SOCKET) (continued)

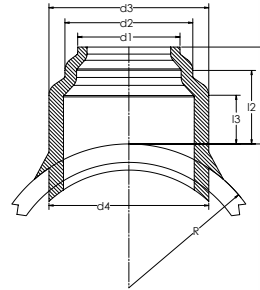
New Part no.	Old Part no.	Dimension pipe x outlet (ND – OD)	r	d1	d2	l	z	D	Weight
			[in]	[in]	[in]	[in]	[in]	[in]	[lb]
1030200940	0115234	8" x 2 1/2" – 200 x 75 mm	3.94	2.95	2.95	1.65	4.41	3.94	0.50
1030200941	0115235	8" x 3" – 200 x 90 mm	3.94	3.54	3.54	1.77	4.41	4.72	0.78
1030200942	0115236	8" x 3 1/2" – 200 x 110 mm	3.94	4.33	4.33	1.93	4.41	5.79	1.41
1030200943	0115237	8" x 4" – 200 x 125 mm	3.94	4.92	4.92	2.17	4.53	6.57	1.90
1030250944	0115251	10" x 1 1/4" – 250 x 40 mm	4.92	1.57	1.57	1.34	5.45	2.05	0.12
1030250945	0115252	10" x 1 1/2" – 250 x 50 mm	4.92	1.97	1.97	1.34	5.33	2.68	0.20
1030250946	0115253	10" x 2" – 250 x 63 mm	4.92	2.48	2.48	1.48	5.31	3.31	0.33
1030250947	0115254	10" x 2 1/2" – 250 x 75 mm	4.92	2.95	2.95	1.65	5.39	3.94	0.49
1030250948	0115255	10" x 3" – 250 x 90 mm	4.92	3.54	3.54	1.77	5.39	4.72	0.77
1030250949	0115256	10" x 3 1/2" – 250 x 110 mm	4.92	4.33	4.33	1.93	5.39	5.79	1.33
1030250950	0115257	10" x 4" – 250 x 125 mm	4.92	4.92	4.92	2.17	5.51	6.57	1.81
1030315052	0115260	12" to 14" x 2" – 315 to 355 x 63 mm	6.20/7.00	2.48	2.48	1.48	6.59	3.31	0.34
1030315053	0115261	12" to 14" x 2 1/2" – 315 to 355 x 75 mm	6.20/7.00	2.95	2.95	1.65	6.67	3.94	0.51
1030315054	0115262	12" x 3" – 315 x 90 mm	6.20	3.54	3.54	1.77	6.67	4.27	0.80
1030315055	0115263	12" x 3 1/2" – 315 x 110 mm	6.20	4.33	4.33	1.93	6.67	5.79	1.31
1030315056	0115264	12" x 4" – 315 x 125 mm	6.20	4.92	4.92	2.17	6.79	6.57	1.83
1030355058	0115268	14" x 3" – 355 x 90 mm	7.00	3.54	3.54	1.77	7.46	4.27	0.78
1030355059	0115269	14" x 3 1/2" – 355 x 110 mm	7.00	4.33	4.33	1.93	7.46	5.79	1.29
1030355060	0115270	14" x 4" – 355 x 125 mm	7.00	4.92	4.92	2.17	7.58	6.57	1.79
1030500062	0115275	16" to 20" x 2 1/2" – 400 to 500 x 75 mm	7.90/9.85	2.95	2.95	1.65	8.35	3.94	0.48
1030450063	0115277	16" to 18" x 3 1/2" – 400 to 450 x 110 mm	7.90/8.85	4.33	4.33	1.93	8.35	5.79	1.18
1030400064	0115278	16" x 4" – 400 x 125 mm	7.90	4.92	4.92	2.17	8.46	6.57	1.53
1030500065	0115288	16" to 20" x 3" – 400 to 500 x 90 mm	7.90/9.85	3.54	3.54	1.77	9.33	4.27	0.73
1030500066	0115290	18" to 20" x 4" – 450 to 500 x 125 mm	8.85/9.85	4.92	4.92	2.17	9.45	6.57	1.48
1030630067	0115300	16" to 24" x 2" – 400 to 630 x 63 mm	7.90/12.4	2.48	2.48	1.48	10.2	3.31	1.10
1030630072	0115331	24" x 3 1/2" – 630 x 110 mm	12.4	4.33	4.33	1.93	12.9	5.79	1.25

PRODUCT RANGE – FUSION OUTLETS

aquatherm FUSION OUTLET (BUTT-FUSION, VARIABLE BRANCH)

Allowances should be made for connection to dissimilar SDRs.

NOTE: Verify the equipment to be used is compatible with the fittings when ordering.

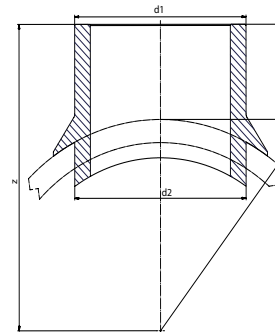


SDR	New Part no.	Old Part no.	Dimension pipe x outlet (ND – OD)	R	d1	d2	d3	d4	l1	l2	l3	Weight
				[in]	[in]	[in]	[in]	[in]	[in]	[in]	[in]	[in]
11	103440008	0115280 ^a	16" x 6" to 10" – 400 x 160 to 250 mm	7.90	6.30	7.87	9.84	9.84	5.97	4.53	3	6.46
	1030450010	0115292 ^a	18" x 6" to 10" – 450 x 160 to 250 mm	8.86	6.30	7.87	9.84	9.84	5.97	4.53	3	6.61
	1034500012	0115306 ^a	20" x 6" to 10" – 500 x 160 to 250 mm	9.84	6.30	7.87	9.84	9.84	5.97	4.53	3	6.34
	1034630015	0115334 ^a	24" x 6" to 10" – 630 x 160 to 250 mm	12.4	6.30	7.87	9.84	9.84	5.97	4.53	3	6.68

^a Molded fitting designed to accommodate a range of branch sizes. If needed, the fitting can be cut and butt welded to the larger diameters in the given range.

aquatherm FUSION OUTLET (BUTT-FUSION, FIXED BRANCH)

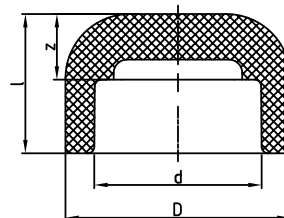
Allowances should be made for connection to dissimilar SDRs.



SDR	New Part no.	Old Part no.	Dimension pipe x outlet (ND – OD)	R	d1	d2	d3	d4	Weight
				[in]	[in]	[in]	[in]	[in]	[lb]
11	1034315057	0115265	12" x 6" – 315 x 160 mm	6.30	6.30	6.30	3.15	9.45	1.91
	1034355061	0115271	14" x 6" – 355 x 160 mm	7.00	6.30	6.30	3.15	10.2	1.91
	1034355004	0115272	14" x 8" – 355 x 200 mm	7.00	7.86	7.86	3.54	10.5	3.53
	1030450011	0115298	18" x 12" – 450 x 315 mm	8.85	12.4	12.4	3.54	12.4	8.52
	1034500013	0115312	20" x 12" – 500 x 315 mm	9.85	12.4	12.4	3.43	13.3	8.13
	1034630016	0115340	24" x 12" – 630 x 315 mm	12.4	12.4	12.4	2.66	16.1	8.53
9	1033315073	0315265	12" x 6" – 315 x 160 mm	6.20	6.30	6.30	2.51	9.35	1.83
	1033355074	0315271	14" x 6" – 355 x 160 mm	7.00	6.30	6.30	3.15	10.1	1.86

PRODUCT RANGE - END CAPS

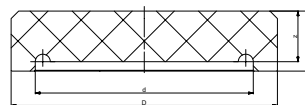
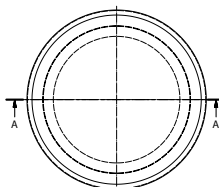
aquatherm END CAP (SOCKET)



New Part no.	Old Part no.	Dimension (ND - OD)	d	z	L	D	Weight
			[in]	[in]	[in]	[in]	[lb]
1020020901	0114108	½" - 20 mm	0.79	0.37	0.94	1.16	0.02
1020025902	0114110	¾" - 25 mm	0.98	0.31	0.94	1.34	0.02
1020032903	0114112	1" - 32 mm	1.26	0.53	1.24	1.69	0.05
1020040904	0114114	1 ¼" - 40 mm	1.57	0.69	1.50	2.05	0.09
1020050905	0114116	1 ½" - 50 mm	1.97	0.83	1.75	2.68	0.18
1020063906	0114118	2" - 63 mm	2.48	0.96	2.05	3.31	0.32
1020075907	0114120	2 ½" - 75 mm	2.95	1.12	2.30	3.94	0.54
1020090908	0114122	3" - 90 mm	3.54	1.36	2.26	4.72	0.80
1020110909	0114124	3 ½" - 110 mm	4.33	1.10	2.56	5.79	1.40
1020125910	0114126	4" - 125 mm	4.92	1.18	3.19	6.57	1.92

aquatherm END CAP (BUTT-FUSION)

These fittings can be used with **aquatherm blue®** systems, but are all molded from the green **fusiolen®** material. The SDR of the fittings must match the SDR of the pipe.

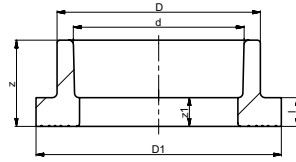


SDR	New Part no.	Old Part no.	Dimension (ND - OD)	D	d	l	z	Weight
				[in]	[in]	[in]	[in]	[lb]
17.6	2027160001	2514130	6" - 160 mm	6.30	5.58	2.76	0.57	1.50
	2027200002	2514134	8" - 200 mm	7.87	6.98	3.15	0.72	2.04
	2027250003	2514138	10" - 250 mm	9.84	8.72	3.54	1.35	4.65
	2027315004	2514142	12" - 315 mm	12.4	11.0	2.76	2.36	6.53
	2027355005	2514144	14" - 355 mm	14.0	12.4	2.76	2.36	8.66
	2027400006	2514146	16" - 400 mm	15.8	14.0	2.95	2.56	13.6
	2027450007	2514148	18" - 450 mm	17.7	15.7	2.76	2.20	18.8
	2027500008	2514150	20" - 500 mm	19.7	17.5	2.95	2.44	27.6
	2027630009	2514154	24" - 630 mm	24.8	22.0	3.54	3.07	51.8
11	1024160911	0114131	6" - 160 mm	6.30	5.15	2.76	0.55	1.67
	1024200912	0114135	8" - 200 mm	7.87	6.44	3.15	0.72	2.36
	1024250913	0114139	10" - 250 mm	9.84	8.06	3.54	0.89	4.38
	1024315018	0114143	12" - 315 mm	12.4	10.1	2.76	2.07	13.7
	1024355019	0114145	14" - 355 mm	14.0	11.4	3.15	2.66	20.9
	1024400020	0114147	16" - 400 mm	15.8	12.9	2.76	2.36	18.8
	1024450021	0114149	18" - 450 mm	17.7	14.5	3.15	2.76	26.9
9	1023160022	0314130	6" - 160 mm	6.30	4.90	2.76	0.86	1.87
	1023200023	0314134	8" - 200 mm	7.87	6.11	3.15	1.18	3.03
	1023250024	0314138	10" - 250 mm	9.84	7.65	3.54	1.34	6.30
	1023315025	0314142	12" - 315 mm	12.4	9.63	2.76	2.07	11.2
	1023355026	0314144	14" - 355 mm	14.0	10.9	3.15	2.62	15.5

PRODUCT RANGE - FLANGES

aquatherm FLANGE ADAPTER (SOCKET)

Socket fused. Gasket not included. All sizes are compatible with butterfly valves. Minimum 1/8" thickness gasket recommended.



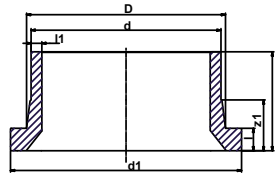
New Part no.	Old Part no.	Dimension (ND – OD)	d	z	z1	D	D1	l	Weight
			[in]	[in]	[in]	[in]	[in]	[in]	[lb]
1020032910	0115512	1" – 32 mm	1.26	1.34	0.63	1.61	2.68	0.39	0.12
1020040911	0115514	1 ¼" – 40 mm	1.57	1.40	0.59	1.97	3.07	0.43	0.16
1020050912	0115516	1 ½" – 50 mm	1.97	1.56	0.63	2.40	3.46	0.47	0.16
1020063913	0115518	2" – 63 mm	2.48	1.71	0.63	2.99	4.02	0.55	0.25
1020075914	0115520	2 ½" – 75 mm	2.95	1.81	0.63	3.54	4.80	0.63	0.37
1020090915	0115522	3" – 90 mm	3.54	1.97	0.67	4.25	5.43	0.67	0.58
1020110916	0115524	3 ½" – 110 mm	4.32	2.19	0.73	5.16	6.22	0.73	0.73
1020125917	0115526 ^a	4" – 125 mm	3.54	2.19	0.73	4.92	6.22	0.74	2.78

^a Part no. 0115526 may be butt-fused or paired with a coupling (part no. 0111026, sold separately). Butt-fusion to SDR 17.6 pipe requires machining of the flange adapter—contact Aquatherm for pricing and delivery.

aquatherm FLANGE ADAPTER (BUTT-FUSION)

Butt fused. Gasket not included. Minimum 1/8" thickness gasket recommended.

Note: The length of some fittings may not accommodate all butt-fusion equipment. Verify the equipment to be used is compatible with the fittings when ordering.



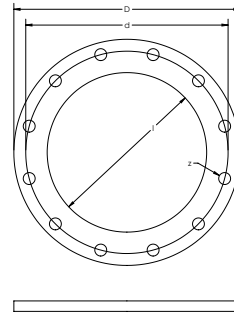
SDR	New Part no.	Old Part no.	Dimension (ND – OD)	d	l	z	D	d1	l1	z1	Weight
				[in]	[in]	[in]	[in]	[in]	[in]	[in]	[in]
17.6	9792915530	2915530BV	6" – 160 mm	6.30	1.06	3.90	6.89	8.35	0.36	2.17	1.81
	9792915534	2915534BV	8" – 200 mm	7.87	1.26	5.12	9.13	10.6	0.45	2.83	4.08
	9792915538	2915538BV	10" – 250 mm	9.84	1.38	5.12	11.2	12.6	0.48	2.95	6.03
	9792915542	2915542BV	12" – 315 mm	12.4	0.98	6.61	13.2	14.6	0.70	3.23	9.92
	9792915544	2915544BV	14" – 355 mm	14.0	1.18	7.24	14.7	16.9	0.79	3.58	14.3
	9792915546	2915546BV	16" – 400 mm	15.8	1.30	7.68	16.8	19.0	0.89	3.82	18.7
	9792915548	2915548BV	18" – 450 mm	17.7	1.81	5.59	18.3	20.8	1.00	3.23	26.5
	9792915550	2915550BV	20" – 500 mm	19.7	1.81	5.43	20.9	23.0	1.12	3.07	21.6
9792915554	2915554BV	24" – 630 mm	24.8	1.97	5.51	25.3	27.0	1.41	3.15	27.8	
11	9790115531	0115531BV	6" – 160 mm	6.30	1.06	3.82	6.81	8.35	0.57	2.17	2.10
	9790115631	0115531LBBV ^a	6" – 160 mm	6.30	1.06	15.8	6.81	8.35	0.57	2.17	6.41
	9790115535	0115535BV	8" – 200 mm	7.87	1.26	5.12	9.13	10.6	0.72	2.83	4.31
	9790115539	0115539BV	10" – 250 mm	9.84	1.38	5.12	11.2	12.6	0.89	2.95	5.99
	9790115543	0115543BV	12" – 315 mm	12.4	1.38	6.61	13.2	14.6	1.13	3.23	12.5
	9790115545	0115545BV	14" – 355 mm	14.0	1.57	7.09	14.7	16.9	1.27	3.54	19.8
	9790115547	0115547BV	16" – 400 mm	15.8	1.81	7.68	16.8	19.0	1.43	3.94	26.5
	9790115549	0115549BV	18" – 450 mm	17.7	2.36	5.47	18.3	20.8	1.61	3.11	36.4
9	9790315530	0315530BV	6" – 160 mm	6.30	0.98	3.66	6.89	8.35	0.70	2.09	2.53
	9790315534	0315534BV	8" – 200 mm	7.87	1.26	5.12	9.13	10.6	0.88	2.83	5.05
	9790315538	0315538BV	10" – 250 mm	9.84	1.38	5.12	11.2	12.6	1.10	2.95	7.30
	9790315542	0315542BV	12" – 315 mm	12.4	2.05	6.79	13.3	14.6	3.35	3.35	12.4
	9790315544	0315544BV	14" – 355 mm	14.0	3.03	8.54	14.8	17.0	1.56	5.00	31.6

^a Includes 1-ft extension of **aquatherm blue**®.

PRODUCT RANGE - FLANGES

aquatherm FLANGE RING

Polypropylene overmolded steel flange ring. ASME B16.5, Class 150 bolt pattern.
 Made in India. If ordering for a U.S. government/military project, please contact your Regional Sales Manager.



New Part No.	Old Part No.	Dimension (ND – OD)	No. of bolt holes	D	d	l	z	z1	Weight [lb]
				[in]	[in]	[in]	[in]	[in]	
9793815712	3815712	1" – 32 mm	4	4.61	3.13	1.69	0.63	0.63	1.0
9793815714	3815714	1 ¼" – 40 mm	4	4.61	3.50	2.05	0.63	0.63	.8
9793815716	3815716	1 ½" – 50 mm	4	5.00	3.87	2.48	0.63	0.71	.9
9793815718	3815718	2" – 63 mm	4	6.10	4.76	3.07	0.75	0.71	1.2
9793815720	3815720	2 ½" – 75 mm	4	7.00	5.51	3.62	0.75	0.71	2.7
9793815722	3815722 ^a	3" – 90 mm	8	7.52	5.98	4.33	0.75	0.79	2.6
9793815724	3815724 ^a	3 ½" – 110 mm	8	9.06	7.05	5.24	0.75	0.87	3.7
9793815726	3815726	4" – 125 mm	8	9.02	7.52	5.08	0.75	0.87	4.1
9793815730	3815730	6" – 160 mm	8	11.22	9.49	6.97	0.88	1.02	6.0
9793815734	3815734	8" – 200 mm	8	13.5	11.73	9.21	0.88	1.02	9.7
9793815738	3815738	10" – 250 mm	12	15.98	14.29	11.3	1.00	1.18	17.0
9793815742	3815742	12" – 315 mm	12	19.02	17.0	13.39	1.00	1.18	26.0
9793815744	3815744	14" – 355 mm	12	20.98	18.74	14.76	1.12	1.18	31.8
9793815746	3815746	16" – 400 mm	16	23.5	21.3	16.85	1.12	1.26	37.0
9793815748	3815748	18" – 450 mm	16	25.0	22.8	18.43	1.25	1.26	38.1
9793815750	3815750	20" – 500 mm	20	27.0	25.0	20.98	1.25	1.26	41.2
9793815754	3815754	24" – 630 mm	20	32.17	29.49	25.39	1.38	1.26	52.5

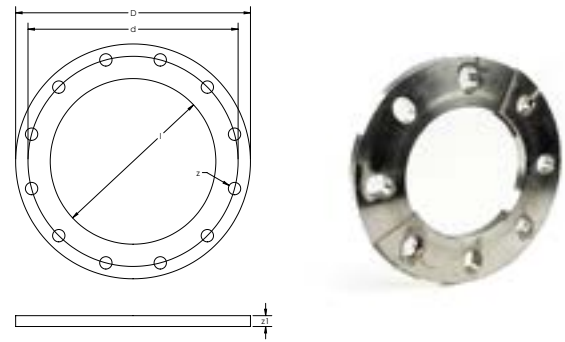
^a Flange ring will have 8 holes, but only 4 holes will be used when mating up to steel flanges in the same size.

Made in India. If purchasing requirements mandate materials from a designated country per the Trade Agreements Act (FAR 52.225-5), please contact aquatherm for pricing and availability..

PRODUCT RANGE – FLANGES

aquatherm SPLIT FLANGE RING

316L Stainless Steel. ASME B16.5, Class 150 bolt pattern. Flange rings are supplied from China. If purchasing requirements mandate materials from a designated country per the Trade Agreements Act (FAR 52.225-5), please contact aquatherm for pricing and availability.

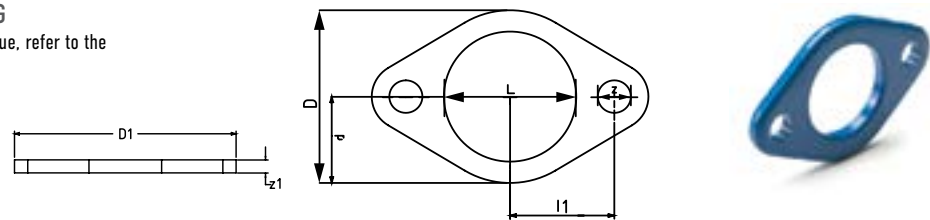


New Part No.	Old Part No.	Dimension (ND – OD)	No. of bolt holes	D	d	l	z	z1	Weight [lb]
				[in]	[in]	[in]	[in]	[in]	
9790625712	0625712	1" – 32 mm	4	4.25	3.13	1.63	0.62	0.63	2.38
9790615714	0625714	1 1/4" – 40 mm	4	4.62	3.50	2.00	0.62	0.63	2.20
9790615716	0625716	1 1/2" – 50 mm	4	5.00	3.88	2.44	0.62	0.63	2.47
9790615718	0625718	2" – 63 mm	4	6.00	4.75	3.06	0.75	0.63	3.37
9790615720	0625720	2 1/2" – 75 mm	4	7.00	5.50	3.63	0.75	0.63	4.96
9790615722	0625722 ^a	3" – 90 mm	8	7.50	6.00	4.34	0.75	0.63	4.70
9790615724	0625724 ^a	3 1/2" – 110 mm	8	8.50	7.00	5.25	0.75	0.63	5.73
9790615726	0625726	4" – 125 mm	8	9.00	7.50	5.25	0.75	0.63	6.94
9790615730	0625730	6" – 160 mm	8	11.0	9.50	7.00	0.88	0.69	10.5
9790615734	0625734	8" – 200 mm	8	13.5	11.8	9.31	0.88	0.69	14.2
9790615738	0625738	10" – 250 mm	12	16.0	14.3	11.3	1.00	0.75	19.7
9790615742	0625742	12" – 315 mm	12	19.0	17.0	13.4	1.00	0.88	34.2
9790615744	0625744	14" – 355 mm	12	21.0	18.8	15.0	1.12	0.88	40.1
9790615746	0625746	16" – 400 mm	16	23.5	21.3	16.9	1.12	0.88	48.1
9790615748	0625748	18" – 450 mm	16	25.0	22.8	18.8	1.25	0.88	48.5
9790615750	0625750	20" – 500 mm	20	27.5	25.0	20.8	1.25	1.00	65.7
9790615754	0625754	24" – 630 mm	20	31.8	29.5	25.4	1.38	1.13	87.1

^a Flange ring will have 8 holes, but only 4 holes will be used when mating up to steel flanges in the same size. Flange rings are supplied from China. If purchasing requirements mandate materials from a designated country per the Trade Agreements Act (FAR 52.225-5), please contact aquatherm for pricing and availability.

aquatherm PUMP FLANGE ADAPTER RING

American bolt pattern. For flange bolt size and torque, refer to the Aquatherm Installer Manual.

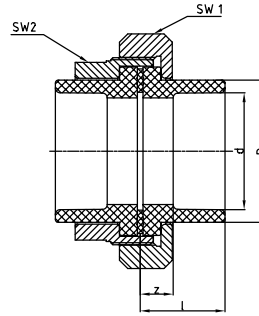


New Part No.	Old Part No.	Dimension (ND – OD)	d	L	z	D	l1	D1	z1	Weight [lb]
			[in]	[in]	[in]	[in]	[in]	[in]	[in]	
9795515712	5515712	1" – 32 mm pump flange ring - blue (used with part no. 0115512)	1.33	1.75	0.50	2.66	1.58	4.18	0.25	0.36
9795515713	5515713	1 1/4" – 40 mm pump flange ring (used with part no. 0115514)	1.33	2.00	0.50	2.66	1.58	4.18	0.25	0.30
9795515714	5515714	1 1/2" – 40 mm pump flange ring (used with part no. 0115514, fitted Grundfos model UP4375)	1.50	2.00	0.50	3.00	1.75	4.80	0.25	0.43

Flange rings are supplied from China. If purchasing requirements mandate materials from a Designated Country per the Trade Agreements Act (FAR 52.225-5), please contact your Aquatherm Regional Sales Manager for pricing and availability.

PRODUCT RANGE – UNIONS

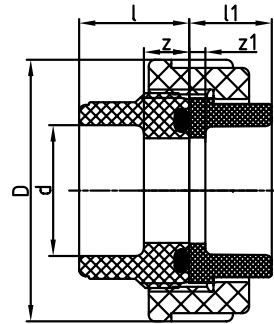
aquatherm UNION WITH BRASS NUT



New Part no.	Old Part No.	Dimension (ND – OD)	d	l	z	D	SW1	SW2	Weight
			[in]	[in]	[in]	[in]	[in]	[in]	[in]
1050032002	0115812	1" – 32 mm	1.26	1.44	0.73	1.61	2.52	1.97	1.06
1050040003	0115814	1 ¼" – 40 mm	1.57	1.50	0.69	1.97	3.15	2.36	1.85
1050050004	0115816	1 ½" – 50 mm	1.97	1.61	0.69	2.40	3.39	2.76	1.81
1050063005	0115818	2" – 63 mm	2.48	1.77	0.69	2.99	4.25	3.54	3.30
1050075006	0115820	2 ½" – 75 mm	2.95	1.22	0.69	3.54	5.04	4.09	4.40

Replacement gaskets available upon request.

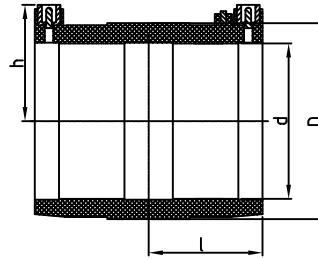
aquatherm UNION WITH PP-R NUT



New Part No.	Old Part No.	Dimension (ND – OD)	d	l	z	l1	z1	D	Weight
			[in]	[in]	[in]	[in]	[in]	[in]	[in]
1050020007	0115838	½" – 20 mm	0.79	1.02	0.47	0.79	0.22	1.81	0.08
1050025008	0115840	¾" – 25 mm	0.98	1.10	0.47	0.83	0.20	2.20	0.13
1050032009	0115842	1" – 32 mm	1.26	1.26	0.47	0.91	0.20	2.60	0.20
1050040010	0115844	1 ¼" – 40 mm	1.57	1.50	0.55	1.00	0.20	3.11	0.30
1050050011	0115846	1 ½" – 50 mm	1.97	1.77	0.63	1.12	0.20	3.43	0.37
1050063012	0115848	2" – 63 mm	2.48	2.19	0.79	1.28	0.20	4.21	0.53
1050075013	0115850	2 ½" – 75 mm	2.95	1.97	0.79	1.42	0.24	5.04	1.20

Replacement O-rings available upon request.

aquatherm ELECTROFUSION COUPLING



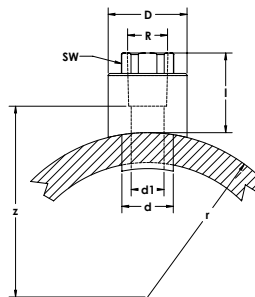
New Part no.	Old Part No.	Dimension (ND – OD)	d	l	h	D	Weight
			[in]	[in]	[in]	[in]	[lb]
1040020984	0117208	½" – 20 mm	0.79	1.38	1.42	1.24	0.11
1040025985	0117210	¾" – 25 mm	0.98	1.54	1.52	1.44	0.13
1040032986	0117212	1" – 32 mm	1.26	1.57	1.67	1.77	0.17
1040040987	0117214	1 ¼" – 40 mm	1.57	1.81	1.85	2.13	0.23
1040050988	0117216	1 ½" – 50 mm	1.97	2.03	2.05	2.56	0.31
1040063989	0117218	2" – 63 mm	2.48	2.32	2.28	3.21	0.53
1040075990	0117220	2 ½" – 75 mm	2.95	2.56	2.54	3.78	0.77
1040090991	0117222	3" – 90 mm	3.54	2.85	2.83	4.47	1.10
1040110992	0117224	3 ½" – 110 mm	4.33	3.15	3.25	5.47	1.81
1040125993	0117226	4" – 125 mm	4.92	3.39	3.54	6.14	2.42
1040160994	0117230 ^a	6" – 160 mm	6.30	3.66	4.31	7.76	3.87
1040200995	0117234 ^a	8" – 200 mm	7.87	4.13	5.28	9.57	7.99
1040250996	0117238 ^a	10" – 250 mm	9.84	4.92	6.69	12.4	15.8

^a Cannot be used in conjunction with UV pipe.

PRODUCT RANGE – TRANSITION FITTINGS

aquatherm FPT FUSION OUTLET W/ WRENCH FLATS

Includes hex-shaped female thread, weld-in surface and weld-in socket for fusion with the inner wall of the pipe. The necessary fusion outlet heads are listed on pages 47-48. (part no. 9800050206 - 9800050744)

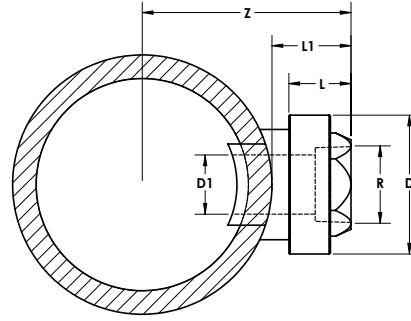


New Part No. (FPT) Zero-lead (potable) brass	Old Part No. (FPT) Zero-lead (potable) brass)	New Part No. (ISO)Stainless steel	Old Part No. (ISO) Stainless steel	Dimension pipe x outlet (ND – OD) x thread	r	d	d1	R	l	z	D	SW	Weight
					[in]	[in]	[in]	[in]	[in]	[in]	[in]	[in]	[lb]
1030040910	0628214	1030040104	0928214	1 ¼" x ½" – 40 x 25 mm x ½" F	0.79	0.98	0.63	0.50	1.54	1.69	1.52	0.94	0.19
1030050911	0628216	1030050110	0928216	1 ½" x ½" – 50 x 25 mm x ½" F	0.99	0.98	0.63	0.50	1.54	1.89	1.52	0.94	0.20
1030063912	0628218	1030063116	0928218	2" x ½" – 63 x 25 mm x ½" F	1.24	0.98	0.63	0.50	1.54	2.15	1.52	0.94	0.20
1030075913	0628220	1030075123	0928220	2 ½" x ½" – 75 x 25 mm x ½" F	1.48	0.98	0.63	0.50	1.54	2.11	1.52	0.94	0.18
1030090915	0628222	1030090131	0928222	3" x ½" – 90 x 25 mm x ½" F	1.77	0.98	0.63	0.50	1.54	2.17	1.52	0.94	0.20
1030125916	0628226	1030125147	0928226	4" x ½" – 125 x 25 mm x ½" F	2.46	0.98	0.63	0.50	1.54	3.37	1.52	0.94	0.20
1030160917	0628230	1030160155	0928230	6" x ½" – 160 x 25 mm x ½" F	3.15	0.98	0.63	0.50	1.54	4.06	1.52	0.94	0.20
1030250918	0628232	1030250161	0928232	8 to 10" x ½" – 200 to 250 x 25 mm x ½" F	3.94	0.98	0.63	0.50	1.54	1.50	1.52	0.94	0.20
1030040919	0628234	1030040105	0928234	1 ¼" x ¾" – 40 x 25 mm x ¾" F	0.79	0.98	0.64	0.75	1.54	1.69	1.71	1.22	0.24
1030050920	0628236	1030050111	0928236	1 ½" x ¾" – 50 x 25 mm x ¾" F	0.99	0.98	0.64	0.75	1.54	1.95	1.71	1.22	0.24
1030063921	0628238	1030063117	0928238	2" x ¾" – 63 x 25 mm x ¾" F	1.24	0.98	0.64	0.75	1.54	2.19	1.71	1.22	0.24
1030075922	0628240	1030075124	0928240	2 ½" x ¾" – 75 x 25 mm x ¾" F	1.48	0.98	0.64	0.75	1.54	2.48	1.71	1.22	0.24
1030090923	0628242	1030090132	0928242	3" x ¾" – 90 x 25 mm x ¾" F	1.77	0.98	0.64	0.75	1.54	2.87	1.71	1.22	0.24
1030125926	0628246	1030125148	0928246	4" x ¾" – 125 x 25 mm x ¾" F	2.46	0.98	0.64	0.75	1.54	3.78	1.71	1.22	0.25
1030160826	0628250	1030160156	0928250	6" x ¾" – 160 x 25 mm x ¾" F	3.15	0.98	0.64	0.75	1.54	2.30	1.71	1.22	0.25
1030250927	0628254	1030250162	0928254	8 to 10" x ¾" – 200 to 250 x 25 mm x ¾" F	3.94	0.98	0.64	0.75	1.54	2.60	1.71	1.22	0.25
(FPT)													
1030075928	0628260	1030075986	1128260	2 ½" x 1" – 75 x 32 mm x 1" F	1.48	1.26	0.82	1.00	1.69	2.99	2.36	1.54	0.49
1030090929	0628262	1030090987	1128262	3" x 1" – 90 x 32 mm x 1" F	1.77	1.26	0.82	1.00	1.69	3.29	2.36	1.54	0.49
1030110930	0628264	-	-	3 ½" x 1" – 110 x 32 mm x 1" F	2.17	1.26	0.82	1.00	1.69	3.98	2.36	1.54	0.49
1030125931	0628266	1030125988	1128266	4" x 1" – 125 x 32 mm x 1" F	2.46	1.26	0.82	1.00	1.69	4.84	2.36	1.54	0.49
1030160832	0628270	1030160989	1128270	6" x 1" – 160 x 32 mm x 1" F	3.15	1.26	0.82	1.00	1.69	4.65	2.36	1.54	0.50
1030250933	0628274	1030250990	1128274	8 to 10" x 1" – 200 to 250 x 32 mm x 1" F	3.94	1.26	0.82	1.00	1.69	4.76	2.36	1.54	0.54

PRODUCT RANGE – TRANSITION FITTINGS

aquatherm FLOWMETER/SENSOR

May also be used for thermometer well. Other sizes are readily available upon request. Additional sizes and combinations are available. Contact Aquatherm for availability and cost.

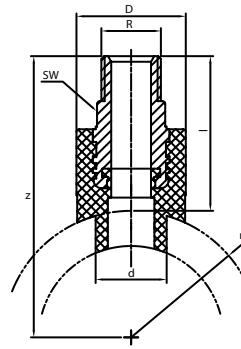


New Part No. (NPT) Zero-lead (potable) brass	Old Part No. (NPT) Zero-lead (potable) brass	New Part No. (ISO)Stainless steel	Old Part No. (ISO) Stainless steel	Dimension pipe x thread	L	L1	R	D	D1	Z	Weight [lb]
					[in]	[in]	[in]	[in]	[in]	[in]	
9790628480	0628480	9791128480	1128480	2" x 1 1/4" F	1.68	2.21	1.25	2.91	1.14	3.69	0.81
9790628481	0628481	9791128481	1128481	2 1/2" x 1 1/4" F	1.68	2.21	1.25	2.91	1.14	3.69	-
9790628482	0628482	9791128482	1128482	3" x 1 1/4" F	1.68	2.21	1.25	2.91	1.14	3.98	-
9790628483	0628483	9791128483	1128483	3 1/2" x 1 1/4" F	1.68	2.21	1.25	2.91	1.14	4.38	-
9790628484	0628484	9791128484	1128484	4" x 1 1/4" F	1.68	2.21	1.25	2.91	1.14	4.67	-
9790628485	0628485	9791128485	1128485	6" x 1 1/4" F	1.68	2.21	1.25	2.91	1.14	5.36	-
9790628486	0628486	9791128486	1128486	8" x 1 1/4" F	1.68	2.21	1.25	2.91	1.14	6.15	-
9790628487	0628487	9791128487	1128487	10" x 1 1/4" F	1.68	2.21	1.25	2.91	1.14	7.13	-
9790628500	0628500	9791128500	1128500	4" x 1 1/2" F	1.72	2.13	1.50	3.38	1.44	4.59	0.89
9790628501	0628501	9791128501	1128501	6" x 1 1/2" F	1.72	2.13	1.50	3.38	1.44	5.28	-
9790628502	0628502	9791128502	1128502	8" x 1 1/2" F	1.72	2.13	1.50	3.38	1.44	6.07	-
9790628503	0628503	9791128503	1128503	10" x 1 1/2" F	1.72	2.13	1.50	3.38	1.44	7.05	-
9790628520	0628520	9791128520	1128520	4" x 2" F	1.88	2.36	2.00	3.88	1.81	4.82	1.21
9790628521	0628521	9791128521	1128521	6" x 2" F	1.88	2.36	2.00	3.88	1.81	5.51	-
9790628522	0628522	9791128522	1128522	8" x 2" F	1.88	2.34	2.00	3.88	1.81	6.28	-
9790628523	0628523	9791128523	1128523	10" x 2" F	1.88	2.34	2.00	3.88	1.81	7.26	-
9790628524	0628524	9791128524	1128524	12" to 14" x 2" F	1.88	2.34	2.00	3.88	1.81	8.54	-
9790628525	0628525	9791128525	1128525	16" to 24" x 2" F	1.88	4.24	2.00	3.88	1.81	12.2	-

PRODUCT RANGE – TRANSITION FITTINGS

aquatherm MPT FUSION OUTLET W/ WRENCH FLATS

Includes hex-shaped male thread, weld-in surface and weld-in socket for fusion with the inner wall of the pipe. The necessary fusion outlet heads are listed on pages 47-48 (part no. 9800050206 - 9800050744).

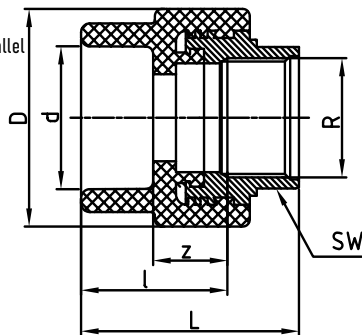


New Part No. (NPT) Zero-lead (potable) brass	Old Part No. (NPT) Zero-lead (potable) brass	Dimension pipe x outlet (ND – OD) x thread	r	d	l	z	D	R	SW	Weight
			[in]	[in]	[in]	[in]	[in]	[in]	[in]	[in]
1030040934	0628314	1 1/4" x 3/4" – 40 x 25 mm x 1/2" M	0.79	0.98	2.17	2.95	1.52	0.50	0.83	0.19
1030050935	0628316	1 1/2" x 3/4" – 50 x 25 mm x 1/2" M	0.99	0.98	2.17	3.15	1.52	0.50	0.83	0.20
1030063936	0628318	2" x 3/4" – 63 x 25 mm x 1/2" M	1.24	0.98	2.17	3.41	1.52	0.50	0.83	0.20
1030075937	0628320	2 1/2" x 3/4" – 75 x 25 mm x 1/2" M	1.48	0.98	2.17	3.64	1.52	0.50	0.83	0.21
1030075938	0628322	3" x 3/4" – 90 x 25 mm x 1/2" M	1.77	0.98	2.17	3.94	1.52	0.50	0.83	0.20
1030025940	0628326	4" x 3/4" – 125 x 25 mm x 1/2" M	2.46	0.98	2.17	4.63	1.52	0.50	0.83	0.20
1030160941	0628330	6" x 3/4" – 160 x 25 mm x 1/2" M	3.15	0.98	2.17	5.31	1.52	0.50	0.83	0.20
1030040942	0628334	1 1/4" x 3/4" – 40 x 25 mm x 3/4" M	0.79	0.98	2.20	2.99	1.71	0.75	0.94	0.24
1030050943	0628336	1 1/2" x 3/4" – 50 x 25 mm x 3/4" M	0.99	0.98	2.20	3.19	1.71	0.75	0.94	0.24
1030063944	0628338	2" x 3/4" – 63 x 25 mm x 3/4" M	1.24	0.98	2.20	3.44	1.71	0.75	0.94	0.24
1030075945	0628340	2 1/2" x 3/4" – 75 x 25 mm x 3/4" M	1.48	0.98	2.20	3.68	1.71	0.75	0.94	0.24
1030090946	0628342	3" x 3/4" – 90 x 25 mm x 3/4" M	1.77	0.98	2.20	3.98	1.71	0.75	0.94	0.24
1030125948	0628346	4" x 3/4" – 125 x 25 mm x 3/4" M	2.46	0.98	2.20	4.67	1.71	0.75	0.94	0.25
1030160949	0628350	6" x 3/4" – 160 x 25 mm x 3/4" M	3.15	0.98	2.20	5.35	1.71	0.75	0.94	0.25

PRODUCT RANGE - TRANSITION FITTINGS

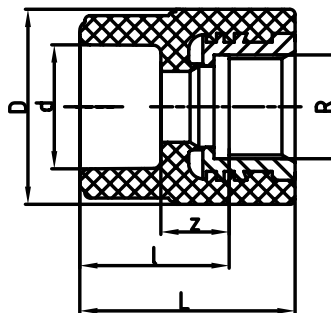
aquatherm FPT ADAPTER W/ WRENCH FLATS

"FPT" indicates female pipe taper thread per ASME B1.20.1, "ISO" indicates female parallel thread per EN 10226-1.



New Part No. (NPT) Zero-lead (potable) brass	Old Part No. (NPT) Zero-lead (potable) brass	New Part No. (ISO)Stainless steel	Old Part No. (ISO) Stainless steel	Dimension PP-R (ND – OD) x thread	d	R	l	z	D	L	SW	Weight	
					[in]	[in]	[in]	[in]	[in]	[in]	[in]	[lb]	
1070020915	0621108	-	-	(½" – 20 mm) x ½" F	0.79	0.50	1.36	0.79	1.48	1.99	0.94	0.17	
1070020916	0621110	-	-	(½" – 20 mm) x ¾" F	0.79	0.75	1.14	0.57	1.71	1.97	1.22	0.25	
1070025917	0621111	-	-	(¾" – 25 mm) x ½" F	0.98	0.50	1.42	0.79	1.48	2.05	0.94	0.20	
1070025918	0621112	-	-	(¾" – 25 mm) x ¾" F	0.98	0.75	1.14	0.51	1.71	1.97	1.22	0.24	
1070032919	0621113	-	-	(1" – 32 mm) x ¾" F	1.26	0.75	1.26	0.55	1.71	2.09	1.22	0.25	
(NPT)													
1070032920	0621114	1070032968	1121114	(1" – 32 mm) x 1" F	1.26	1.00	1.48	0.77	2.36	2.34	1.54	0.53	
1070040921	0621115	1070040969	1121115	(1 ¼" – 40 mm) x 1" F	1.57	1.00	1.57	0.77	2.36	2.44	1.54	0.50	
1070040922	0621116	1991121116	1121116	(1 ¼" – 40 mm) x 1 ¼" F	1.57	1.25	1.57	0.77	2.91	2.48	1.97	0.85	
1070050923	0621117	1070050970	1121117	(1 ½" – 50 mm) x 1 ¼" F	1.97	1.25	1.69	0.77	2.91	2.60	1.97	0.89	
1070050924	0621118	1070050971	1121118	(1 ½" – 50 mm) x 1 ½" F	1.97	1.50	1.77	0.85	3.37	2.64	2.17	0.92	
1070063925	0621119	1070063972	1121119	(2" – 63 mm) x 1 ½" F	2.48	1.50	2.03	0.94	3.31	2.89	2.17	0.97	
1070063926	0621120	1070063973	1121120	(2" – 63 mm) x 2" F	2.48	2.00	2.01	0.93	3.98	3.03	2.64	1.32	
1070075927	0621122	-	-	(2 ½" – 75 mm) x 2" F	2.95	2.00	2.01	0.83	3.94	3.03	2.64	1.34	

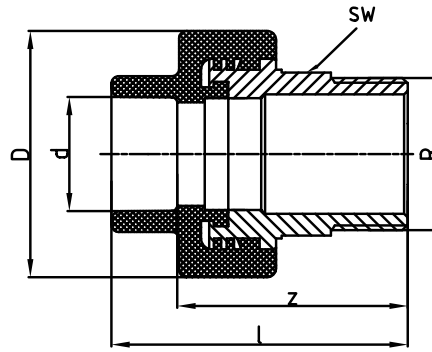
aquatherm TRANSITION PIECE round (female)



New Part No. (NPT) Zero-lead (potable) brass	Old Part No. (NPT) Zero-lead (potable) brass	New Part No. (ISO)Stainless steel	Old Part No. (ISO) Stainless steel	Dimension PP-R (ND – OD) x thread	d	R	l	z	D	L	Weight
					[in]	[in]	[in]	[in]	[in]	[in]	[lb]
1070020910	0621008	1070020060	0921008	(½" – 20 mm) x ½" F	0.79	0.50	1.08	0.51	1.48	1.59	0.14
1070020911	0621010	1070020061	0921010	(½" – 20 mm) x ¾" F	0.79	0.75	1.08	0.51	1.71	1.59	0.20
1070025912	0621011	1070025062	0921011	(¾" – 25 mm) x ½" F	0.98	0.50	1.59	0.51	1.48	1.65	0.14
1070025913	0621012	1070025063	0921012	(¾" – 25 mm) x ¾" F	0.98	0.75	1.08	0.45	1.71	1.59	0.19
1070032914	0621013	1070032064	0921013	(1" – 32 mm) x ¾" F	1.26	0.75	1.20	0.49	1.71	1.71	0.20

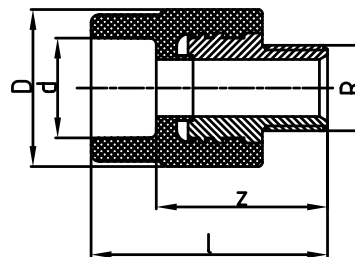
PRODUCT RANGE - TRANSITION FITTINGS

aquatherm NPT TRANSITION PIECE (male) With hex-shaped threaded transition.



New Part No. (NPT) Zero-lead (potable) brass	Old Part No. (NPT) Zero-lead (potable) brass)	Dimension PP-R (ND – OD) x thread	d	R	l	z	D	SW	Weight
			[in]	[in]	[in]	[in]	[in]	[in]	[lb]
1070020833	0621308	(½" – 20 mm) x ½" M	0.79	0.50	2.62	2.05	1.52	0.87	0.23
1070020834	0621310	(½" – 20 mm) x ¾" M	0.79	0.75	2.66	2.09	1.52	0.94	0.28
1070025835	0621312	(¾" – 25 mm) x ¾" M	0.98	0.75	2.66	2.03	1.52	0.94	0.23
1070032936	0621314	(1" – 32 mm) x 1" M	1.26	1.00	3.09	2.38	2.09	1.18	0.48
1070032837	0621316	(1" – 32 mm) x 1 ¼" M	1.26	1.25	3.19	2.48	2.68	1.61	0.70
1070040938	0621317	(1 ¼" – 40 mm) x 1" M	1.57	1.00	3.19	2.38	2.05	1.18	0.49
1070040939	0621318	(1 ¼" – 40 mm) x 1 ¼" M	1.57	1.25	3.33	2.52	2.68	1.61	0.71
1070050940	0621319	(1 ½" – 50 mm) x 1 ¼" M	1.97	1.25	3.37	2.44	2.68	1.61	0.77
1070050941	0621320	(1 ½" – 50 mm) x 1 ½" M	1.97	1.50	3.48	2.56	2.91	1.81	0.94
1070063942	0621321	(2" – 63 mm) x 1 ½" M	2.48	1.50	3.72	2.64	2.85	1.81	1.03
1070063943	0621322	(2" – 63 mm) x 2" M	2.48	2.00	4.04	2.95	3.31	1.97	1.51
1070075944	0621323	(2 ½" – 75 mm) x 2" M	2.95	2.00	4.02	2.83	3.31	1.97	1.61
1070075945	0621324	(2 ½" – 75 mm) x 2 ½" M	2.95	2.50	4.13	2.95	3.94	2.56	2.14
1070090946	0621325	(3" – 90 mm) x 3" M	3.54	3.00	4.76	3.46	4.72	3.35	2.92

aquatherm TRANSITION PIECE round (male)

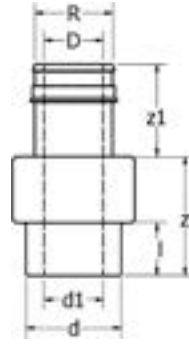


New Part No. (NPT) Zero-lead (potable) brass	Old Part No. (NPT) Zero-lead (potable) brass)	New Part No. (ISO)Stainless steel	Old Part No. (ISO) Stainless steel	Dimension PP-R (ND – OD) x thread	d	R	l	z	D	Weight
					[in]	[in]	[in]	[in]	[in]	[lb]
1070020928	0621208	1070020074	0921208	(½" – 20 mm) x ½" M	0.79	0.50	2.22	1.65	1.52	0.19
1070020929	0621210	1070020075	0921210	(½" – 20 mm) x ¾" M	0.79	0.75	2.26	1.69	1.52	0.24
1070025930	0621211	1070025076	0921211	(¾" – 25 mm) x ½" M	0.98	0.50	2.28	1.65	1.52	0.22
1070025931	0621212	1070025077	0921212	(¾" – 25 mm) x ¾" M	0.98	0.75	2.26	1.63	1.52	0.20
1070032932	0621213	1070032078	0921213	(1" – 32 mm) x ¾" M	1.26	0.75	2.34	1.63	1.69	0.25

PRODUCT RANGE – TRANSITION FITTINGS

aquatherm PEX ADAPTER (EXPANSION)

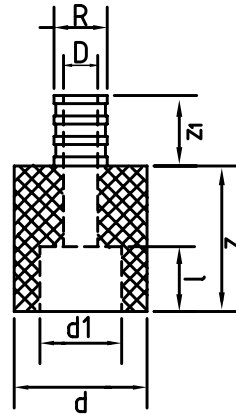
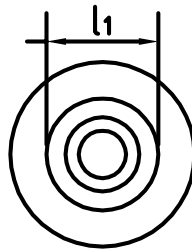
Built to ASTM F1960 standard with PP-R street connection. The brass in this fitting meets the zero-lead (<0.25%) potable water requirement.



New Part No. (NPT) Zero-lead (potable) brass	Old Part No. (NPT) Zero-lead (potable) brass	Dimension (ND – OD)	d	R	l	z	D	z1	d1	Weight
			[in]	[in]	[in]	[in]	[in]	[in]	[in]	[lb]
1070020006	0098840	½" (20 mm) PP-R to ½" PEX	0.79	0.61	0.42	1.15	0.38	0.73	0.52	0.09
1070025003	0098841	¾" (25 mm) PP-R to ¾" PEX	0.98	0.87	0.49	1.20	0.60	0.96	0.65	0.13
1070032005	0098842	1" (32 mm) PP-R to 1" PEX	1.26	1.00	0.69	1.56	0.80	1.20	0.83	0.21

aquatherm PEX ADAPTER (CRIMP)

Built to ASTM F1807 standard with PP-R socket connection. The brass in this fitting meets the zero-lead (<0.25%) potable water requirement.

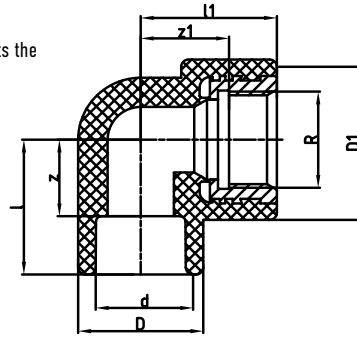


New Part No. (NPT) Zero-lead (potable) brass	Old Part No. (NPT) Zero-lead (potable) brass	Dimension (ND – OD)	d	R	l	z	D	l1	z1	d1	Weight
			[in]	[in]	[in]	[in]	[in]	[in]	[in]	[in]	[lb]
1070020012	0099840	½" (20 mm) PP-R to ½" PEX	1.13	0.47	0.63	1.25	0.35	0.75	0.63	0.75	0.09
1070025009	0099841	¾" (25 mm) PP-R to ¾" PEX	1.38	0.67	0.63	1.38	0.53	1.00	0.63	0.88	0.13
1070032010	0099842	1" (32 mm) PP-R to 1" PEX	1.75	0.86	0.88	1.63	0.71	1.25	0.80	1.25	0.21

PRODUCT RANGE – TRANSITION FITTINGS

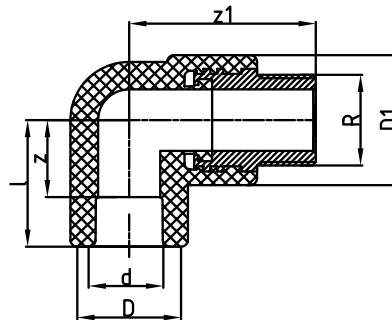
aquatherm TRANSITION ELBOW (female)

Built to ASTM F1807 standard with PP-R socket connection. The brass in this fitting meets the zero-lead (<0.25%) potable water requirement.



New Part No. (NPT) Zero-lead (potable) brass	Old Part No. (NPT) Zero-lead (potable) brass	New Part No. (ISO) Stainless steel	Old Part No. (ISO) Stainless steel	Dimension PP-R (ND – OD) x thread	d	R	l	z	D	l1	z1	D1	Weight
					[in]	[in]	[in]	[in]	[in]	[in]	[in]	[in]	
1070020950	0623008	1070020110	0923008	(½" – 20 mm) x ¼" F	0.79	0.75	1.46	0.89	1.34	1.46	0.94	1.73	0.22
1070020951	0623010	1070020111	0923010	(½" – 20 mm) x ½" F	0.79	0.50	1.24	0.67	1.16	1.24	0.73	1.46	0.17
1070025952	0623012	1070025112	0923012	(¾" – 25 mm) x ¾" F	0.98	0.75	1.46	0.83	1.34	1.46	0.94	1.73	0.22
1070025953	0623014	1070025113	0923014	(¾" – 25 mm) x ½" F	0.98	0.50	1.34	0.71	1.34	1.46	0.94	1.46	0.17
1070032954	0623016	1070032115	0923016	(1" – 32 mm) x ¾" F	1.26	0.75	1.08	0.37	1.69	2.01	1.50	1.73	0.23
(NPT)													
1070032955	0623018	1070032974	1123018	(1" – 32 mm) x 1" F	1.26	1.00	1.34	0.63	1.69	2.62	1.75	2.37	0.55

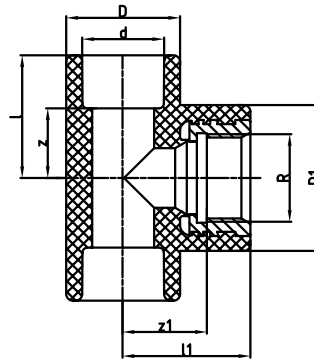
aquatherm TRANSITION ELBOW (PP socket x DIN 2999 thread)



New Part no. Zero-lead (potable) brass	Old Part No. (NPT) Zero-lead (potable) brass	New Part No. (ISO) Stainless steel	Old Part No. (ISO) Stainless steel	Dimension PP-R (ND – OD) x thread	d	R	l	z	D	z1	D1	Weight
					[in]	[in]	[in]	[in]	[in]	[in]	[in]	
1070020957	0623506	1070020117	0923506	(½" – 20 mm) x R ½	0.79	0.50	1.24	0.67	1.16	2.09	1.46	0.24
1070020958	0623508	1070020118	0923508	(½" – 20 mm) x R ¾	0.79	0.75	1.46	0.89	1.34	2.13	1.50	0.28
1070025959	0623510	1070025119	0923510	(¾" – 25 mm) x R ¾	0.98	0.75	1.46	0.83	1.34	2.13	1.50	0.23
1070032860	0623512	1070032120	0923512	(1" – 32 mm) x R ¾	1.26	0.75	1.08	0.37	1.69	2.68	1.50	0.25
1070032961	0623514	-	-	(1" – 32 mm) x R 1	1.26	1.00	1.22	0.51	1.69	3.37	2.05	0.51

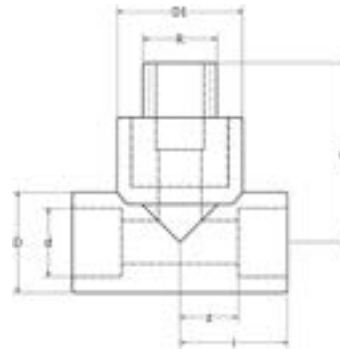
PRODUCT RANGE – TRANSITION FITTINGS

aquatherm TRANSITION TEE (female)



New Part No. (NPT) Zero-lead (potable) brass	Old Part No. (NPT) Zero-lead (potable) brass	New Part No. (ISO) Stainless steel	Old Part No. (ISO) Stainless steel	Dimension PP-R (ND – OD) x thread	d	R	l	z	D	l1	z1	D1	Weight
					[in]	[in]	[in]	[in]	[in]	[in]	[in]	[in]	[in]
1060020910	0625006	1060020160	0925006	(½" – 20 mm) x (½" – 20 mm) x ½" F	0.79	0.50	1.24	0.67	1.16	1.46	0.94	1.46	0.19
1060020911	0625008	1060020161	0925008	(½" – 20 mm) x (½" – 20 mm) x ¾" F	0.79	0.75	1.46	0.89	1.34	1.50	0.98	1.73	0.27
1060025912	0625010	1060025162	0925010	(¾" – 25 mm) x (¾" – 25 mm) x ½" F	0.98	0.50	1.34	0.71	1.34	1.50	0.98	1.46	0.20
1060025913	0625012	1060025163	0925012	(¾" – 25 mm) x (¾" – 25 mm) x ¾" F	0.98	0.75	1.46	0.83	1.34	1.50	0.98	1.73	0.24
1060032914	0625014	1060032165	0925014	(1" – 32 mm) x (1" – 32 mm) x ¾" F	1.26	0.75	1.08	0.37	1.69	2.01	1.50	1.73	0.24
(NPT)													
1060032915	0625016	1060032012	1125016	(1" – 32 mm) x (1" – 32 mm) x 1" F	1.26	1.00	1.22	0.53	1.69	2.64	1.93	2.36	0.56
	-	1060050916	-	(1 ½" – 50 mm) x (1 ½" – 50 mm) x 1" F	1.97	1.00	1.95	1.02	2.68	2.50	1.71	2.68	0.85

aquatherm NPT TRANSITION TEE (male)

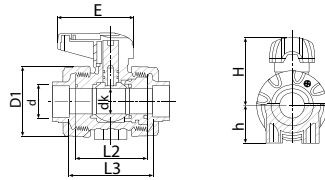


New Part no. Zero-lead (potable) brass	Old Part No. (NPT) Zero-lead (potable) brass	Dimension (ND – OD)	d	R	l	z	D	z1	D1	Weight
			[in]	[in]	[in]	[in]	[in]	[in]	[in]	[in]
1060020917	0625506	(½" – 20 mm) x ½" M x (½" – 20 mm)	0.79	0.50	1.24	0.67	1.16	2.09	1.46	0.23

PRODUCT RANGE - VALVES

aquatherm POLYPROPYLENE BALL VALVE

Replacement parts can be ordered for O-rings, handles, end connectors, and socket inserts for pipe connection.



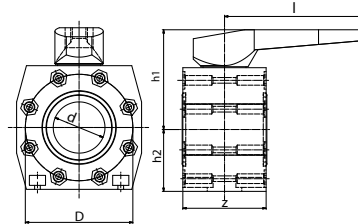
New Part No.	Old Part No.	Dimension (ND – OD)	E	D1	d	dk	L2	L3	H	h	Weight [lb]
			[in]	[in]	[in]	[in]	[in]	[in]	[in]	[in]	
1090020052	0041488	½" – 20 mm	2.60	1.98	0.79	0.53	2.22	2.68	2.01	1.06	0.26
1090020020	0041588 ^a	½" – 20 mm	2.60	1.98	0.79	0.53	2.22	2.68	2.01	1.06	0.26
1090025053	0041490	¾" – 25 mm	3.19	2.32	0.98	0.73	2.58	3.09	2.40	1.18	0.40
1090025021	0041590 ^a	¾" – 25 mm	3.19	2.32	0.98	0.73	2.58	3.09	2.40	1.18	0.40
1090032054	0041492	1" – 32 mm	3.21	2.77	1.26	0.94	2.83	3.33	2.40	1.57	0.60
1090032022	0041592 ^a	1" – 32 mm	3.21	2.77	1.26	0.94	2.83	3.33	2.40	1.57	0.60
1090040055	0041494	1 ¼" – 40 mm	3.60	3.38	1.57	1.22	3.35	3.94	3.19	1.81	1.07
1090040023	0041594 ^a	1 ¼" – 40 mm	3.60	3.38	1.57	1.22	3.35	3.94	3.19	1.81	1.07
1090050056	0041496	1 ½" – 50 mm	3.60	3.92	1.97	1.52	3.50	4.21	3.54	2.17	1.43
1090050024	0041596 ^a	1 ½" – 50 mm	3.60	3.92	1.97	1.52	3.50	4.21	3.54	2.17	1.43
1090063057	0041498	2" – 63 mm	5.57	4.94	2.48	1.97	3.98	4.65	4.50	2.76	2.66
1090063025	0041598 ^a	2" – 63 mm	5.57	4.94	2.48	1.97	3.98	4.65	4.50	2.76	2.66
1090075052	0041400	2 ½" – 75 mm	7.31	5.06	3.62	2.53	8.13	9.00	5.50	2.90	5.35

^a Part comes with a gray fluoroelastomer (FPM/FKLM) gasket.

aquatherm BALL VALVE WITH BOLT/GASKET KIT

Polypropylene construction with ISO bolt pattern. The 3" – 4" kits come with 2 split rings, 2 gaskets, 16 bolts, and 16 washers. The 6" kit comes with 2 standard rings, 2 gaskets, 16 bolts, and 16 washers.

Replacement O-rings available upon request.



New Part No.	Old Part No.	Dimension (ND – OD)	d	l	z	D	h1	h2	Weight [lb]
			[in]	[in]	[in]	[in]	[in]		
9790041802	0041802	3" – 90 mm	3.03	8.27	4.88	6.30	5.91	3.66	9.25
9790041803	0041804 ^a	3 ½" – 110 mm	3.70	10.2	5.71	7.09	6.50	4.06	12.4
9790041804	0041804 ^a	4" – 125 mm	3.70	10.2	5.71	7.09	6.50	4.06	12.4
9790041807	0041807	6" – 160 mm	5.31	12.2	8.07	9.45	8.27	5.37	29.6

Note: A full-faced flange gasket should be used with these valves. Do not use an O-ring with or without the flange gasket or leakage may occur. Discard any O-ring that may come with the valve.

REPLACEMENT BOLT/GASKET KIT FOR BALL VALVES

Kit includes the following replacement parts for the polypropylene Aquatherm ball valves:
2 gaskets, 16 bolts, and 16 washers.

New Part No.	Old Part No.	Dimension (ND – OD)
9794160318	4160218-S ^a	3" – 90 mm
9794160518	4160418-S ^b	3 ½" to 4" – 110 to 125 mm
9794160818	4160718-S ^c	6" – 160 mm

^a Replacement kit for 3-in ball valve.

^b Replacement kit for 3-1/2 and 4-in ball valves.

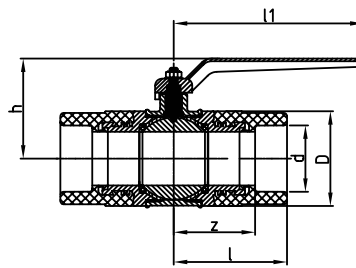
^c Replacement kit for 6-in ball valve.

PRODUCT RANGE – VALVES

aquatherm POLYPROPYLENE/BRASS BALL VALVE

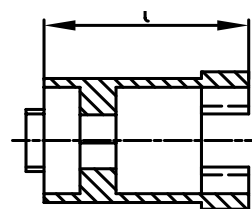
Note: Brass components in these valves do not comply with NSF 372 or the Safe Drinking Water Act (SDWA) lead-free requirements for potable water systems.

Note: Quantities in some sizes are limited, confirm availability when ordering.



New Part No. Industrial brass	Old Part No. Industrial brass	Dimension (ND – OD)	d	l	z	D	h	l1	Weight
			[in]	[in]	[in]	[in]	[in]	[in]	[lb]
1050020174	0041308	½" – 20 mm	0.79	2.17	1.59	1.26	2.60	3.35	0.62
1050025175	0041310	¾" – 25 mm	0.98	2.17	1.54	1.61	2.87	3.35	0.83
1050032176	0041312	1" – 32 mm	1.26	2.50	1.79	1.85	3.23	4.25	1.31
1050040177	0041314	1 ¼" – 40 mm	1.57	2.85	2.05	2.28	3.66	4.25	2.24
1050050178	0041316	1 ½" – 50 mm	1.97	3.29	2.36	2.78	4.49	5.51	3.72
1050063179	0041318	2" – 63 mm	2.48	4.04	2.95	3.43	5.20	5.51	6.34

aquatherm BALL VALVE HANDLE EXTENSION



New Part No.	Old Part No.	Dimension (ND – OD) x length	l	Weight
			[in]	[lb]
1050000180	0041378	½" to ¾" x 1 ½" – 20 to 25 mm x 35 mm	1.38	0.26
1050000181	0041382	1" to 1 ¼" x 1 ½" – 32 to 40 mm x 35 mm	1.38	0.26
1050000182	0041386	1 ½" to 2" x 1 ½" – 50 - 63 mm x 46 mm	1.81	0.60

Part no. 0041378 suitable for part no. 0041308 / 0041310.

Part no. 0041382 suitable for part no. 0041312 / 0041314.

Part no. 0041386 suitable for part no. 0041316 / 0041318.

aquatherm EXTENSION FOR BALL VALVE



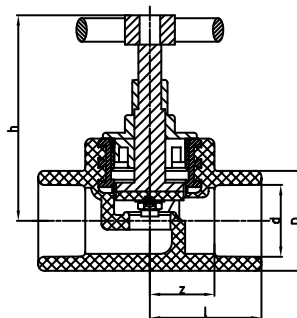
New Part No.	Old Part No.	Dimension (ND – OD)	Length	Weight
			[in]	[lb]
9700098900	0098900	½" x 4" – 20 mm x 100 mm	3.94	0.04
9700098901	0098901	¾" to 1" x 4" – 25 to 32 mm x 100 mm	3.94	0.06
9700098902	0098902	1 ¼" to 1 ½" x 4" – 40 to 50 mm x 100 mm	3.94	0.07
9700098903	0098903	2" x 4" – 63 mm x 100 mm	3.94	0.09

PRODUCT RANGE – VALVES

aquatherm SCREW-DOWN STOP GLOBE VALVE

For surface installation.

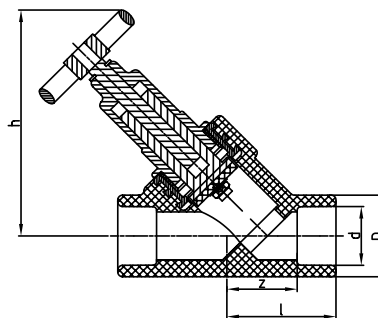
NOTE: Brass components in these valves do not comply with NSF 372 or the Safe Drinking Water Act (SDWA) lead-free requirements for potable water systems.



New Part No.	Old Part No.	Dimension (ND – OD)	d	l	z	D	h	Weight
			[in]	[in]	[in]	[in]	[in]	[lb]
1090020040	0140808	½" – 20 mm	0.79	1.38	0.81	1.16	2.76	0.36
1090025041	0140810	¾" – 25 mm	0.98	1.50	0.87	1.34	2.76	0.38
1090032042	0140812	1" – 32 mm	1.26	1.93	1.22	1.69	3.41	0.69
1090040043	0140814	1 ¼" – 40 mm	1.57	2.36	1.56	2.05	3.96	1.29

aquatherm INCLINED VALVE without drain

NOTE: Brass components in these valves do not comply with NSF 372 or the Safe Drinking Water Act (SDWA) lead-free requirements for potable water systems.



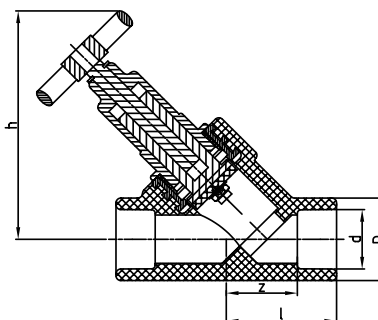
New Part No. Industrial brass	Old Part No. Industrial brass	Dimension (ND – OD)	d	l	z	D	h	Weight
			[in]	[in]	[in]	[in]	[in]	[lb]
1050020162	0141108	½" – 20 mm	0.79	1.77	1.20	1.34	3.76	0.65
1050025163	0141110	¾" – 25 mm	0.98	1.77	1.14	1.34	3.76	0.62
1050032164	0141112	1" – 32 mm	1.26	2.20	1.50	1.69	4.39	0.93
1050040165	0141114	1 ¼" – 40 mm	1.57	2.56	1.75	2.05	5.31	1.84

*Brass components in these valves do not comply with the 2015 zero-lead requirements for potable water systems.

aquatherm INCLINED CHECK VALVE without drain

Adjustable pressure check valve.

NOTE: Brass components in these valves do not comply with NSF 372 or the Safe Drinking Water Act (SDWA) lead-free requirements for potable water systems.



New Part No. Industrial brass	Old Part No. Industrial brass	Dimension (ND – OD)	d	l	z	D	h	Weight
			[in]	[in]	[in]	[in]	[in]	[lb]
1050020170	0041208	½" – 20 mm	0.79	1.77	1.20	1.34	3.76	0.65
1050025171	0041210	¾" – 25 mm	0.98	1.77	1.14	1.34	3.76	0.64
1050032172	0041212	1" – 32 mm	1.26	2.20	1.50	1.69	4.39	0.95
1050040173	0041214	1 ¼" – 40 mm	1.57	2.56	1.75	2.05	5.31	1.85

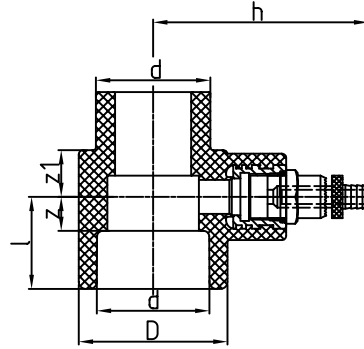
*Brass components in these valves do not comply with the 2015 zero-lead requirements for potable water systems.

PRODUCT RANGE - VALVES

aquatherm DRAINING BRANCH

Fused in-line for use with **aquatherm** valves or other cases where draining is needed.

NOTE: Brass components in these valves do not comply with NSF 372 or the Safe Drinking Water Act (SDWA) lead-free requirements for potable water systems.



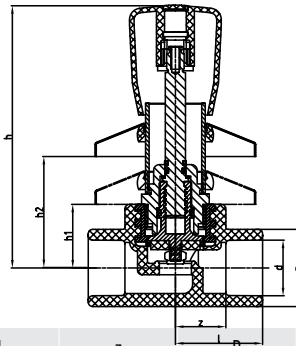
New Part No. Industrial brass	Old Part No. (NPT) Industrial brass	Dimension (ND — OD)	d	l	z	D	z1	h	Weight (lb)
			[in]	[in]	[in]	[in]	[in]		
1050020183	141408	½" — 20 mm	0.79	0.45	1.02	1.34	0.65	2.64	0.22
1050025184	0041410	¾" — 25 mm	0.98	0.39	1.02	1.34	0.65	2.64	0.21
1050032185	0041412	1" — 32 mm	1.26	0.55	1.26	1.69	0.67	2.78	0.26
1050040186	0041414	1 ¼" — 40 mm	1.57	0.47	1.28	2.05	0.65	3.01	0.31
1050050187	0041416	1 ½" — 50 mm	1.97	0.61	1.54	2.68	0.67	3.30	0.45
1050063188	0041418	2" — 63 mm	2.48	0.65	1.73	3.31	0.65	3.66	0.64

*Brass components in these valves do not comply with the 2015 zero-lead requirements for potable water systems.

aquatherm CONCEALED VALVE (standard)

Chromium-plated. Includes hot/cold water indicator.

NOTE: Brass components in these valves do not comply with NSF 372 or the Safe Drinking Water Act (SDWA) lead-free requirements for potable water systems.

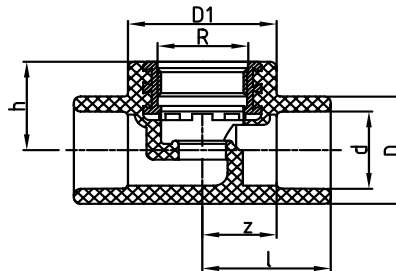


New Part No. Industrial brass	Old Part No. (ISO) Industrial brass	Dimension (ND — OD)	d	l	z	D	h	h1	h2	Weight (lb)
			[in]	[in]	[in]	[in]	[in]	[in]	[in]	
1050020150	0140858	½" — 20 mm	0.79	1.38	0.81	1.16	4.57	1.10	2.32	0.70
1050025151	0140860	¾" — 25 mm	0.98	1.50	0.87	1.34	4.57	1.10	2.32	0.73
1050032152	0140862	1" — 32 mm	1.26	1.93	1.22	1.69	4.76	1.34	2.32	0.92

*Brass components in these valves do not comply with the 2015 zero-lead requirements for potable water systems.

aquatherm STOP VALVE BODY ISO

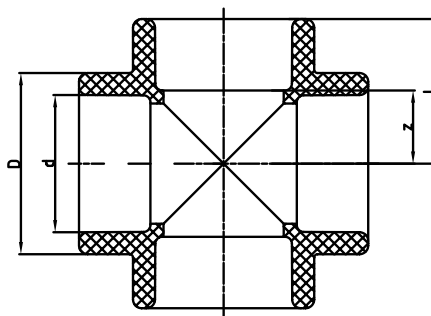
NOTE: Brass components in these valves do not comply with NSF 372 or the Safe Drinking Water Act (SDWA) lead-free requirements for potable water systems.



New Part No. Industrial brass	Old Part No. (ISO) Industrial brass	Dimension PP-R (ND — OD) x thread	d	l	z	D	h	D1	R	Weight (lb)
			[in]	[in]	[in]	[in]	[in]	[in]	[in]	
1090020046	0040908	(½" — 20 mm) x ¼" F	0.79	1.38	0.79	1.16	1.10	1.73	0.75	0.21
1090025047	0040910	(¾" — 25 mm) x ⅜" F	0.98	1.50	0.87	1.34	1.10	1.73	0.75	0.22
1090032048	0040912	(1" — 32 mm) x 1" F	1.26	1.93	1.22	1.69	1.34	2.05	1.00	0.32
1090040049	0040914	(1 ¼" — 40 mm) x 1 ¼" F	1.57	2.36	1.56	2.05	1.61	-	1.25	0.69

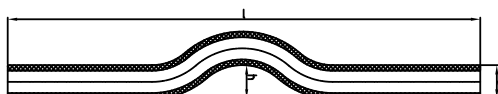
*Brass components in these valves do not comply with the 2015 zero-lead requirements for potable water systems.

aquatherm CROSS



New Part No.	Old Part No.	Dimension (ND – OD)	d	z	l	D	Weight
			[in]	[in]	[in]	[in]	[lb]
1040020980	0113708	½" – 20 mm	0.79	0.45	1.02	1.16	0.06
1040025981	0113710	¾" – 25 mm	0.98	0.53	1.16	1.34	0.08
1040032982	0113712	1" – 32 mm	1.26	0.67	1.38	1.69	0.14
1040040983	0113714	1 ¼" – 40 mm	1.57	0.83	1.63	2.05	0.22

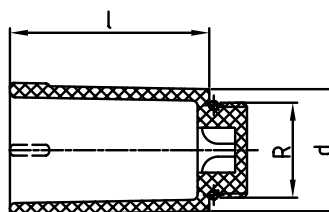
aquatherm CROSS-OVER



New Part No.	Old Part No.	Dimension (ND – OD)	d	h	l	Weight
			[in]	[in]	[in]	[lb]
1090020925	0116108	½" – 20 mm	0.79	0.87	13.9	0.13
1090025926	0116110	¾" – 25 mm	0.98	0.98	13.9	0.20
1090032927	0116112	1" – 32 mm	1.26	1.26	13.9	0.34

aquatherm ISO PLUG FOR PRESSURE TESTS

Includes gasket.

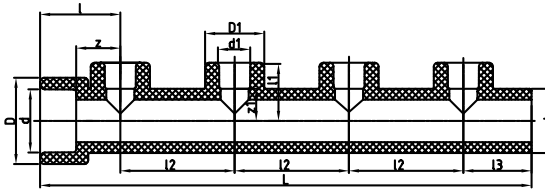


New Part No.	Old Part No.	Dimension	d	R	l	Weight
			[in]	[in]	[in]	[lb]
9800050708	0050708	½" M	1.10	0.50	2.19	0.05
9800050710	0050710	¾" M	1.34	0.75	2.19	0.06

PRODUCT RANGE - ACCESSORIES

aquatherm DISTRIBUTION PIPE

246 mm long, with four branch connections. This distribution pipe can be cut short or supplemented by fusion with additional distribution pipes as needed. The brass in this fitting meets potable water requirements.



New Part No.	Old Part No.	Dimension (ND – OD)	d	d1	l	z	D	l1	z1	D1	l2	l3	L	Weight
			[in]	[in]	[in]	[in]	[in]	[in]	[in]	[in]	[in]	[in]	[in]	[lb]
9300130604	0130604	1" x 1/2" – 32 x 20 mm	1.26	0.79	1.57	0.87	1.69	1.14	0.57	1.16	2.24	1.42	9.65	0.30

aquatherm DISTRIBUTOR END PIECE

PP-R socket with female thread NPT for emptying or aerating a distribution pipe. The brass in this fitting meets potable water requirements.



New Part No. Zero-lead (potable) brass	Old Part No. (NPT) Zero-lead (potable) brass	Dimension (ND – OD) x thread	d	l	z	D	L	R	Weight
			[in]	[in]	[in]	[in]	[in]	[in]	[lb]
1090032904	0630804	(1" – 32 mm) x 1/2" F	1.26	1.18	0.47	1.69	1.69	0.50	0.10

PRODUCT RANGE - TOOLS

aquatherm DRILL BIT

New Part No.	Old Part No.	Dimension	Weight [lb]
9800050940	0050940	½" & ¾" - 20 & 25 mm (for pipes 1 ¼" - 6" - 40 - 160 mm)	0.30
9800050941	0050941	½" & ¾" - 20 & 25 mm (for pipes 6" - 10" - 160 - 250 mm)	0.35
9800050942	0050942	1" - 32 mm	0.46
9800050944	0050944	1 ¼" - 40 mm	0.63
9800050946	0050946	1 ½" - 50 mm	0.70
9800050948	0050948	2" - 63 mm	1.00



aquatherm HOLE SAWS AND COMPONENTS

New Part No.	Old Part No.	Dimension
9800050987	0050987 ^a	2 ½" - 75 mm
9800050988	0050988 ^a	3" - 90 mm
9800050989	0050989 ^b	3 ½" - 110 mm
9800050990	0050990 ^b	4" - 125 mm
9800050991	0050991 ^b	6" - 160 mm
9800050973	0050973	Small Hole Saw Pilot Bit/Arbor Quick Change Adapter (75 mm - 90 mm)
9800050975	0050975	Hole Saw Pilot Bit
9800050976	0050976	1/2" Hole Saw Arbor/Drill Chuck Adapter (110 mm - 160 mm)

^aRequires part 0050973.

^bRequires parts 0050975 & 0050976.



aquatherm REPLACEMENT PILOT BITS

New Part No.	Old Part No.	Dimension (ND - OD)
9800099910	0099910	½" to 1" - 20 to 32 mm
9800099911	0099911	1 ¼" to 2" - 40 to 63 mm

aquatherm REPAIR SET

For closing pipe holes up to 0.4 in. Use with repair plug (part no. 0060600).

New Part No.	Old Part No.	Dimension	Weight [lb]
7000050307	0050307	¼" - 7 mm	0.32
7000050311	0050311	⅜" - 11 mm	0.39



aquatherm REPAIR PLUG

PP-R plug for closing pipe holes up to 0.4 in. Use with Aquatherm repair set (part no. 0050307 & 0050311).

New Part No.	Old Part No.	Dimension OD for each end	Weight [lb]
1090000035	0060600	⅜" x ¼" - 11 x 7 mm	0.02



aquatherm PIPE CUTTER

For use with Aquatherm pipe only.

New Part No.	Old Part No.	Dimension	Weight [lb]
9800050104	0050104	(⅜" - 1 ¼") - (16 - 40 mm)	1.30



aquatherm TEMPERATURE PROTECTIVE GLOVES (PAIR)

For use during fusion and changing welding heads.

New Part No.	Old Part No.	Dimension
9800050195	0050195	20 mm x 1/2"IG x 20 mm



PRODUCT RANGE - TOOLS

aquatherm DEPTH GAUGE

For marking socket fusion depth on pipe sizes ½" through 4"

New Part No.	Old Part No.	Dimension (ND — OD)
9700001111	0001111	Green depth gauge - ½" thru 4"
9700001111	0001112	Blue depth gauge - 2" thru 4"



aquatherm FUSION HEADS

New Part No.	Old Part No.	Dimension	Weight
			[lb]
9800050206	0050206	¾" — 16 mm	0.24
9800050208	0050208	½" — 20 mm	0.25
9800050210	0050210	¾" — 25 mm	0.31
9800050212	0050212	1" — 32 mm	0.46
9800050214	0050214	1 ¼" — 40 mm	0.68
9800050216	0050216	1 ½" — 50 mm	1.00
9800050218	0050218	2" — 63 mm	1.50
9800050220	0050220	2 ½" — 75 mm	2.02
9800050222	0050222	3" — 90 mm	3.12
9800050224	0050224	3 ½" — 110 mm	5.41
9800050226	0050226	4" — 125 mm	7.33



aquatherm FUSION OUTLET HEADS

New Part No.	Old Part No.	Dimension	Weight
			[lb]
9800050614	0050614	1 ¼" x ½" & ¾" — 40 x 20 & 25 mm	0.41
9800050616	0050616	1 ½" x ½" & ¾" — 50 x 20 & 25 mm	0.49
9800050619	0050619	2" x ½" & ¾" — 63 x 20 & 25 mm	0.53
9800050620	0050620	2" x 1" — 63 x 32 mm	0.54
9800050623	0050623	2 ½" x ½" & ¾" — 75 x 20 & 25 mm	0.56
9800050624	0050624	2 ½" x 1" — 75 x 32 mm	0.57
9800050625	0050625	2 ½" x 1 ¼" — 75 x 40 mm	0.99
9800050627	0050627	3" x ½" & ¾" — 90 x 20 & 25 mm	0.59
9800050628	0050628	3" x 1" — 90 x 32 mm	0.61
9800050629	0050629	3" x 1 ¼" — 90 x 40 mm	1.02
9800050631	0050631	3 ½" x ½" & ¾" — 110 x 20 & 25 mm	0.61
9800050632	0050632	3 ½" x 1" — 110 x 32 mm	0.63
9800050634	0050634	3 ½" x 1 ¼" — 110 x 40 mm	1.06
9800050635	0050635	3 ½" x 1 ½" — 110 x 50 mm	1.71
9800050636	0050636	4" x ½" & ¾" — 125 x 20 & 25 mm	0.64
9800050638	0050638	4" x 1" — 125 x 32 mm	0.66
9800050640	0050640	4" x 1 ¼" — 125 x 40 mm	1.12
9800050642	0050642	4" x 1 ½" — 125 x 50 mm	1.74
9800050644	0050644	4" x 2" — 125 x 63 mm	2.71
9800050648	0050648	6" x ½" & ¾" — 160 x 20 & 25 mm	0.71
9800050650	0050650	6" x 1" — 160 x 32 mm	0.74
9800050652	0050652	6" x 1 ¼" — 160 x 40 mm	1.20
9800050654	0050654	6" x 1 ½" — 160 x 50 mm	1.85



aquatherm FUSION OUTLET HEADS (continued)

New Part No.	Old Part No.	Dimension	Weight
			[lb]
9800050656	0050656	6" x 2" - 160 x 63 mm	2.84
9800050657	0050657	6" x 2 1/2" - 160 x 75 mm	3.90
9800050658	0050658	6" x 3" - 160 x 90 mm	6.71
9800050660	0050660	8" x 1/2" & 3/4" - 200 x 20 & 25 mm	0.44
9800050662	0050662	8" x 1" - 200 x 32 mm	0.51
9800050664	0050664	8" x 1 1/4" - 200 x 40 mm	0.89
9800050666	0050666	8" x 1 1/2" - 200 x 50 mm	1.42
9800050667	0050667	8" x 2 1/2" - 200 x 75 mm	3.94
9800050668	0050668	8" x 2" - 200 x 63 mm	2.30
9800050669	0050669	8" x 3" - 200 x 90 mm	6.77
9800050670	0050670	8" x 3 1/2" - 200 x 110 mm	10.5
9800050671	0050671	8" x 4" - 200 x 125 mm	13.6
9800050672	0050672	10" x 1/2" & 3/4" - 250 x 20 & 25 mm	0.44
9800050674	0050674	10" x 1" - 250 x 32 mm	0.51
9800050676	0050676	10" x 1 1/4" - 250 x 40 mm	0.89
9800050678	0050678	10" x 1 1/2" - 250 x 50 mm	1.46
9800050680	0050680	10" x 2" - 250 x 63 mm	2.35
9800050682	0050682	10" x 2 1/2" - 250 x 75 mm	3.95
9800050684	0050684	10" x 3" - 250 x 90 mm	6.77
9800050686	0050686	10" x 3 1/2" - 250 x 110 mm	10.6
9800050688	0050688	10" x 4" - 250 x 125 mm	13.2
9800050690	0050690	12" x 2" - 315 x 63 mm	2.41
9800050692	0050692	12" x 2 1/2" - 315 x 75 mm	4.22
9800050694	0050694	12" x 3" - 315 x 90 mm	7.11
9800050696	0050696	12" x 3 1/2" - 315 x 110 mm	10.6
9800050698	0050698	12" x 4" - 315 x 125 mm	13.2
9800050699	0050699	12" x 6" - 315 x 160 mm	20.6
9800050712	0050712	14" x 2" - 355 x 63 mm	2.43
9800050714	0050714	14" x 2 1/2" - 355 x 75 mm	4.40
9800050716	0050716	14" x 3" - 355 x 90 mm	7.22
9800050718	0050718	14" x 3 1/2" - 355 x 110 mm	10.7
9800050720	0050720	14" x 4" - 355 x 125 mm	13.3
9800050722	0050722	14" x 6" - 355 x 160 mm	19.5
9800050726	0050726	16" - 24" x 2" - 400-630 x 63 mm	2.34
9800050728	0050728	16" - 20" x 2 1/2" - 400-500 x 75 mm	3.41
9800050732	0050732	16" - 20" x 3" - 400-500 x 90 mm	5.21
9800050736	0050736	16" - 18" x 3 1/2" - 400-450 x 110 mm	6.46
9800050740	0050740	24" x 3 1/2" - 630 x 110 mm	9.11
9800050742	0050742	16" x 4" - 400 x 125 mm	11.8
9800050744	0050744	18" - 20" x 4" - 450-500 x 125 mm	11.9



 **aquatherm®**

aquatherm

825 West 600 North

Lindon, UT 84042

USA

Phone: +1 801-805-6657

support@aquatherm.com

www.aquatherm.com

aquatherm GmbH

Headquarters

Biggen 5

57439 Attendorn

Germany

Phone: +49 (0) 2722 950-0

www.aquatherm.de

